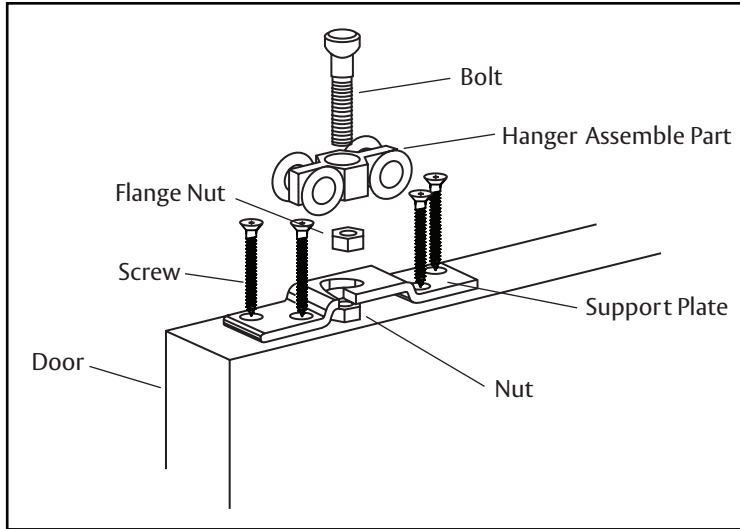


# Architectural Door Accessories

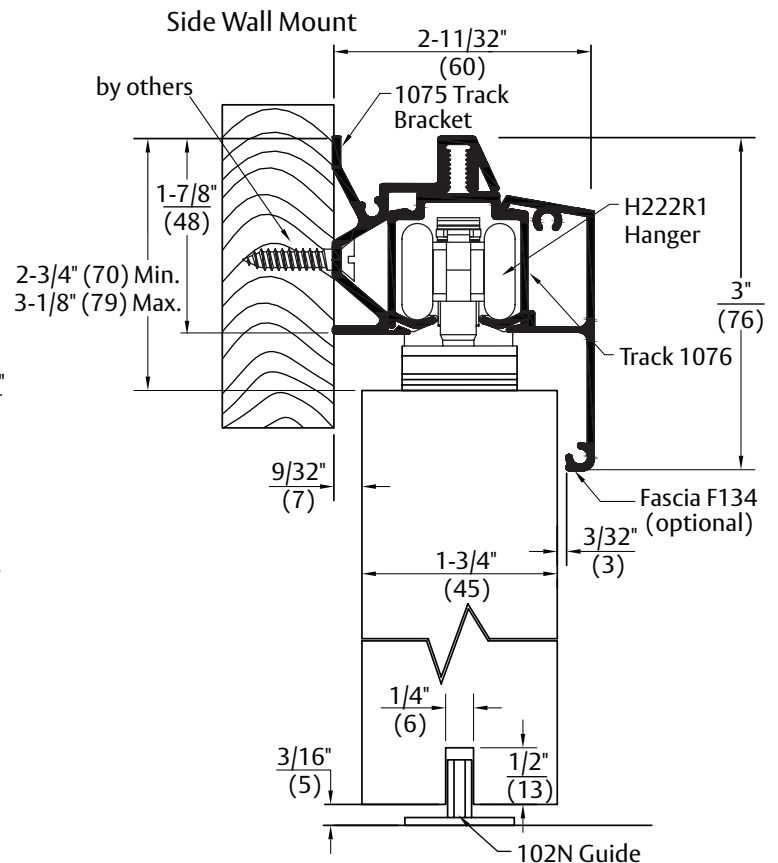
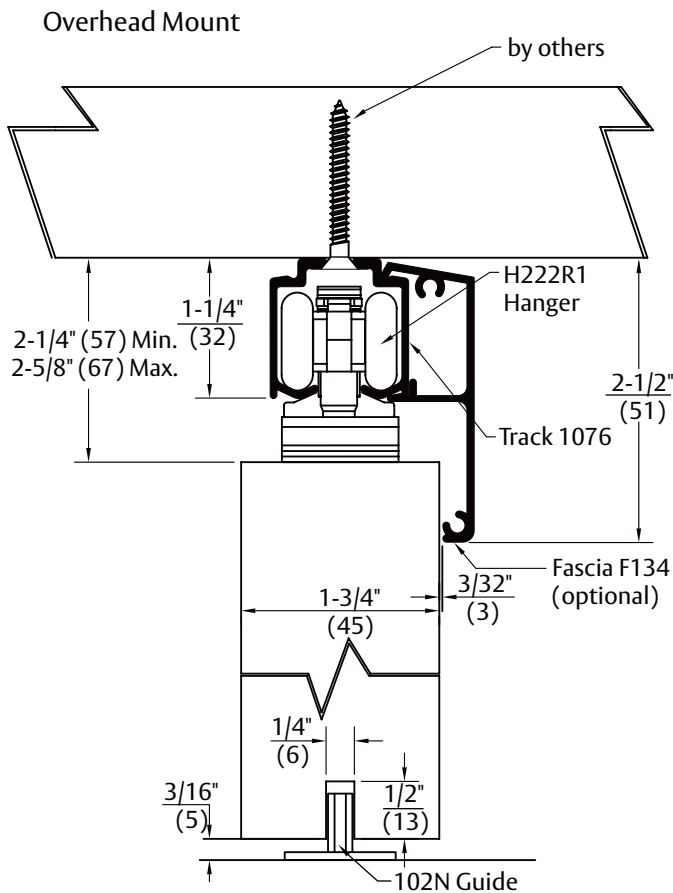
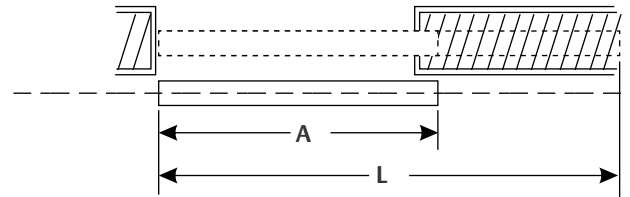
## Pemko H180A Sliding Door Hardware

Experience a safer  
and more open world

**Door Leaf Capacity - 180 lbs.**



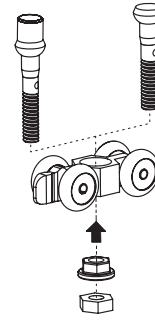
(A) Max. Door Width	(L) Run
36"	72"
48"	96"
60"	120"
72"	144"



\* When using fascia, offset hanger foot 1/8" (3) closer to fascia face of the door.

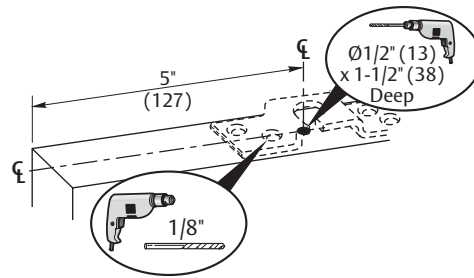
## 1. Assemble hanger.

If using soft close device, use taller hanger bolt.



## 2. Fit hanger apron to door panel.

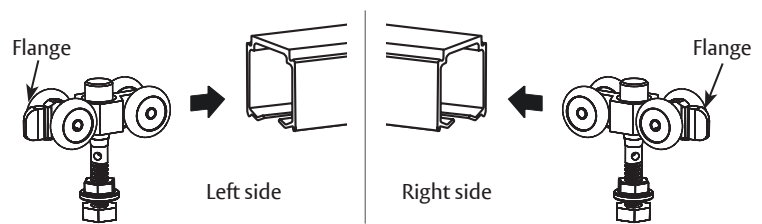
Drill  $\frac{1}{2}$ " (13) dia x  $1\frac{1}{2}$ " (38) deep hole 5" (127) from door edge to centerline and centered in the door thickness.



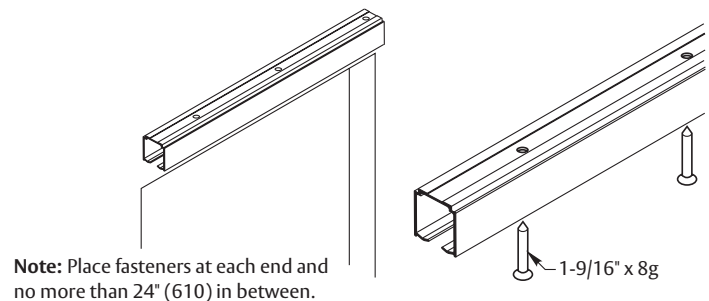
## 3. Insert hangers.

Ensure that hanger flange is pointing in direction of clip portion of stop as shown.

NOTE: If not using soft close, hanger will have shorter hanger bolt.

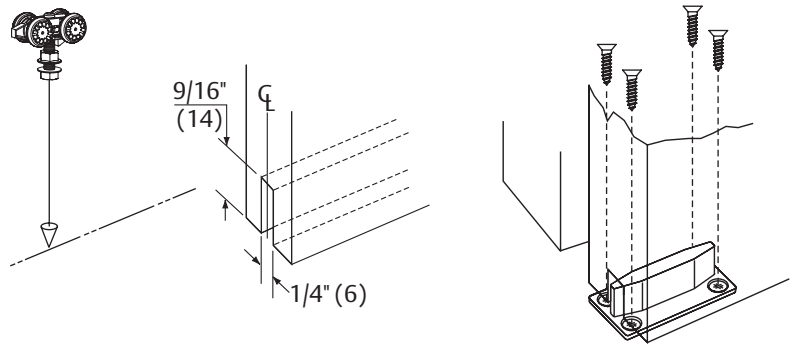


## 4. Secure track.



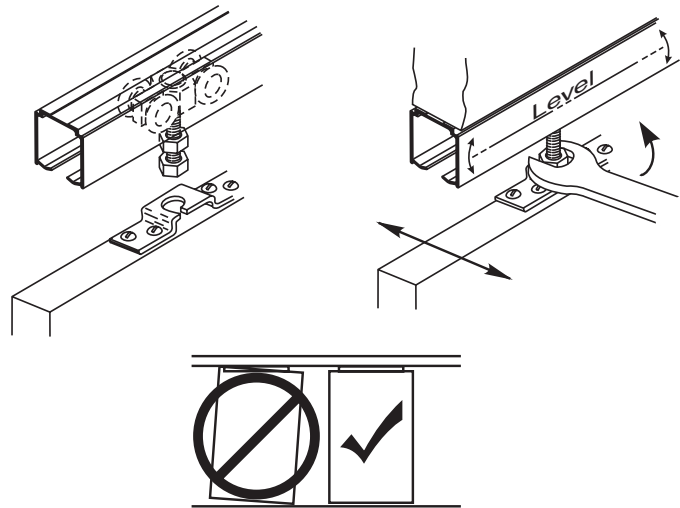
### 5. Mortise door and fit door guide.

Attach a plumb line to hanger. Place hanger inside track. Using plumb line, mark the centerline of floor to mark for centerline of guide location.



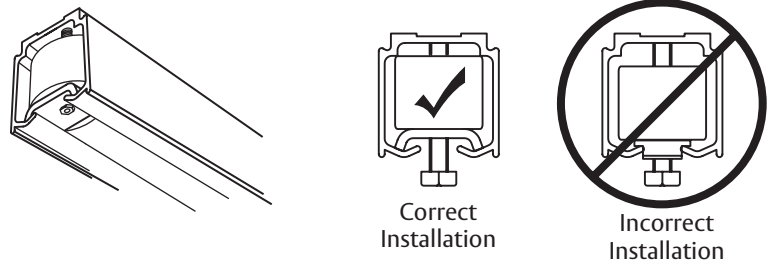
### 6. Attach door panel and adjust until level.

If using soft close device, refer to provided installation instructions beginning with step 3.



### 7. Install and secure retaining stops.

If using soft close device, do not install retaining stops.



The ASSA ABLOY Group is the global leader in access solutions. Every day we help people feel safe, secure and experience a more open world.

**ASSA ABLOY**  
Opening Solutions

---

---

[www.assaabloydooraccessories.us](http://www.assaabloydooraccessories.us)

USA:  
Ventura, CA 93003  
Phone: 800.283.9988

Memphis, TN 38141  
Phone: 800.824.3018

Canada:  
Vaughan, ON  
Phone: 800.461.3007