

7 Line Cylindrical Lever Lock Parts Manual



For assistance, contact sargent at
800-727-5477 or www.sargentlock.com

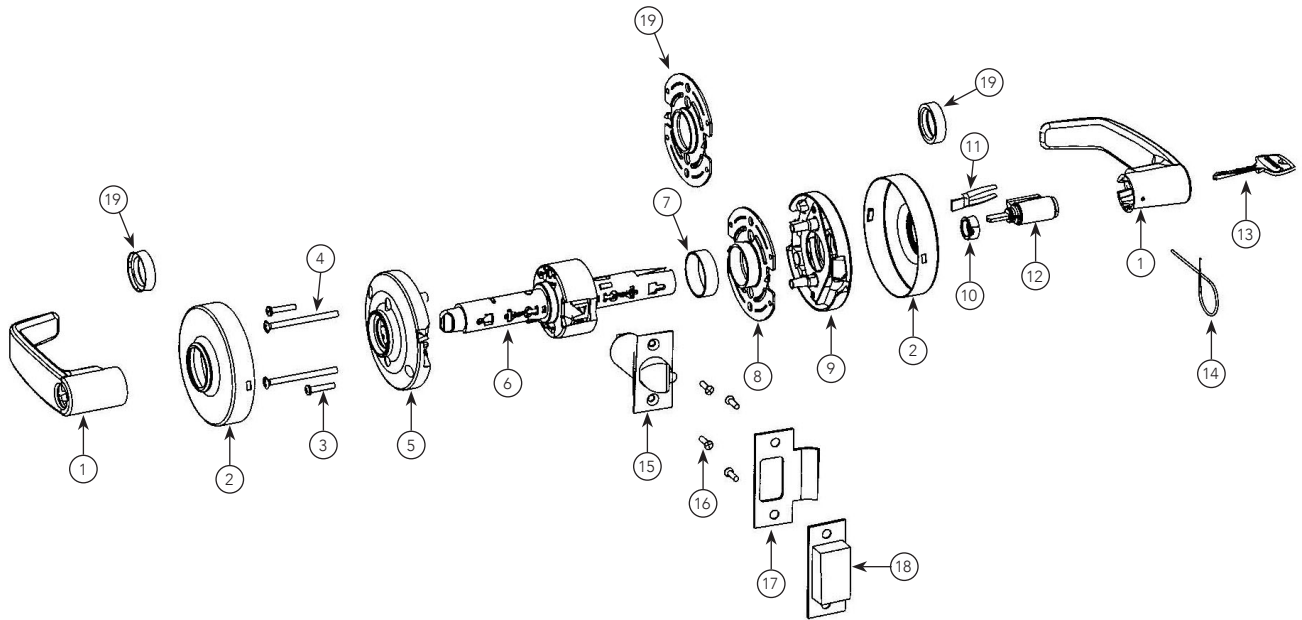
⚠ WARNING

This product can expose you to lead which is known to the state of California to cause cancer and birth defects or other reproductive harm. For more information go to www.P65warnings.ca.gov.

7 Line Cylindrical Lever Locks

Exploded View.....	3
Lockbodies & Spring Housing Assemblies.....	4
Latches.....	5
Strikes.....	6
Screws and Miscellaneous.....	7
Cylinders.....	8
Levers.....	9
How to Order Parts.....	10
Finishes.....	10

7 Line Cylindrical Lever Locks



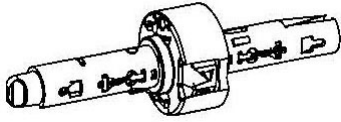
ITEM	PART NUMBER	DESCRIPTION
1	Page 9	Inside and Outside Levers
2	Page 9	Inside or Outside Rose - "L" Design (Specify Finish)
3	Page 7	#6 x 3/4" Self-Tapping Pan Head Screws
4	Page 7	#8-32 x 2-1/8" Through-bolt Screws
5	Page 4	Inside Rose Spring Assembly
6	Page 4	Lockbody
7	Page 7	Cardboard Spacer
8	Page 4	Outside Support Plate
9	Page 4	Outside Rose Spring Assembly
10	Page 8	Cylinder Spacer
11	Page 8	Cylinder Retainer
12	Page 8	Cylinder
13	Per Key System	Key
14	Page 7	Lever Release Tool
15	Page 5	Latch
16	Page 7	Latch & Strike Screws
17	Page 6	Strike
18	Page 6	Strike Box
19	Page 7	1-3/8" Door Mounting Kit

Experience a safer
and more open world

The warranty on SARGENT® products becomes void if the product is modified in any way, regardless of whether the modification causes or contributes to any alleged defect. If a SARGENT product is modified it may no longer meet industry certification and quality control standards applicable to the original product and is no longer a genuine SARGENT product.

Copyright © 2019, 2025, Sargent Manufacturing Company, an ASSA ABLOY Group company. All rights reserved. Reproduction in whole or in part without the express written permission of Sargent Manufacturing Company is prohibited.

7 Line Cylindrical Lever Locks



Mechanical Lockbody
1-3/8" - 1-3/4" Door

RIGID LEVER

DESCRIPTION	FUNCTION	STANDARD CYLINDER/NON-CYLINDER	LARGE AND SMALL FORMAT INTERCHANGEABLE CORE 60-, 63-, 64- 70-, 72-, 73-	KESO 82-	SCHLAGE® LARGE FORMAT INTERCHANGEABLE CORE SF-
Storeroom or Closet	7G04	07-2650	07-2651	07-2653	07-2737
Entrance or Office	7G05	07-2660*	07-2661*	07-2663*	07-2738*
Passage	7U15	07-2670	-	-	-
Exit or Communicating	7G15-3	07-2675	-	-	-
Classroom	7G37	07-2680	07-2681	07-2683	07-2739
Privacy/Bathroom	7U65	07-2690*	-	-	-
Hospital Privacy	7U68	07-2690*	-	-	-
Single Lever Pull	7U93	07-2418	-	-	-
Double Lever Pull	7U94-2	07-2418	-	-	-

FREEWHEELING LEVER

DESCRIPTION	FUNCTION	STANDARD CYLINDER FW-	LARGE AND SMALL FORMAT INTERCHANGEABLE CORE FW-,60-, 63-, 64- 70-, 72-, 73-	KESO FW-80-, 82-, F1-	SCHLAGE® LARGE FORMAT INTERCHANGEABLE CORE SF-
Storeroom or Closet	7G04	07-2654	07-2655	07-2657	07-2740
Entrance or Office	7G05	07-2664*	07-2665*	07-2667*	07-2741*
Classroom	7G37	07-2684	07-2685	07-2687	07-2742
Privacy/Bathroom	7U65	07-2691*	-	-	-
Hospital Privacy	7U68	07-2691*	-	-	-

Note: Lockbodies ordered for LFIC and SFIC locksets shipped prior to November 2025 will also require new levers, see page 9.

SPRING HOUSING ASSEMBLIES & SUPPORT PLATES

PART NO.	DESCRIPTION
07-2426	Outside Rose Spring Assembly
07-2428*	Outside Blank Rose Spring Assembly 15-3 Function
07-0113	Outside Rose Spring Assembly (93, 94, 94-2)
07-0105	Outside Support Plate
07-2425	Inside Rose Spring Assembly
07-0102	Inside Support Plate



* Specify finish.

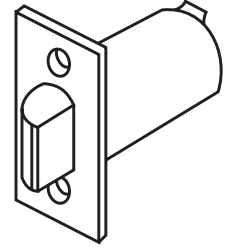
LATCHES

7 Line Cylindrical Lever Locks



PLAIN/UNGUARDED LATCH - 7U15, 7U65, 7U68:

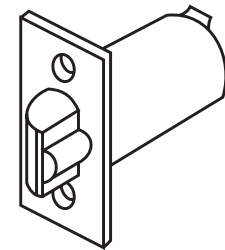
PART NO.	FRONT	FRONT WIDTH	BACKSET	THROW
07-2432	Square Corner	1-1/8" (29mm)	2-3/4" (70mm)	1/2" (13mm)
07-2433	Square Corner	1" (25mm)	2-3/8" (60mm)	1/2" (13mm)



Plain/Unguarded

DEADLOCKING/GUARDED LATCH - ALL OTHER FUNCTIONS:

PART NO.	FRONT	FRONT WIDTH	BACKSET	THROW
07-2430	Square Corner	1-1/8" (29mm)	2-3/4" (70mm)	1/2" (13mm)
07-2431	Square Corner	1" (25mm)	2-3/8" (60mm)	1/2" (13mm)



Deadlocking/Guarded

Specify finish.
Latch screw pack must be ordered separately, see page 7.

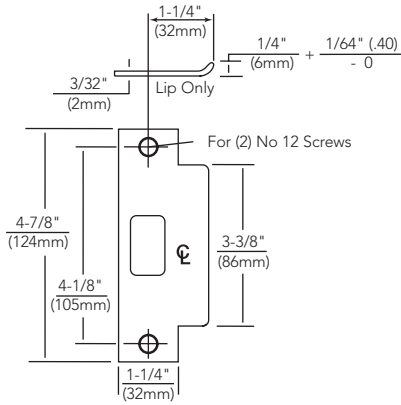
Experience a safer
and more open world

The warranty on SARGENT® products becomes void if the product is modified in any way, regardless of whether the modification causes or contributes to any alleged defect. If a SARGENT product is modified it may no longer meet industry certification and quality control standards applicable to the original product and is no longer a genuine SARGENT product.

Copyright © 2019, 2025, Sargent Manufacturing Company, an ASSA ABLOY Group company. All rights reserved. Reproduction in whole or in part without the express written permission of Sargent Manufacturing Company is prohibited.

7 Line Cylindrical Lever Locks

4-7/8" CURVED LIP STRIKE (STANDARD*)

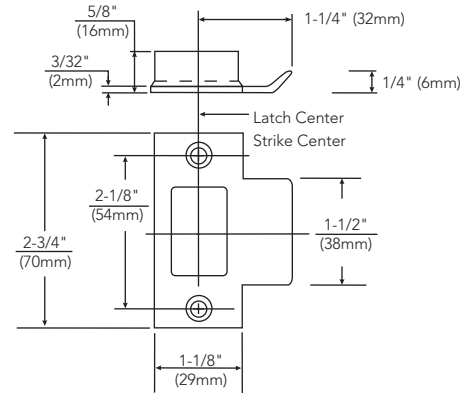


- Brass, bronze or stainless steel
- Conforms to ANSI standard
- Furnished standard with curved lip 1-1/4" (32mm) from center of strike screw holes to end of lip
- Lip lengths

7/8" (22mm)	1-5/8" (42mm)	2-5/8" (66mm)
1-1/8" (29mm)	1-7/8" (48mm)	2-7/8" (73mm)
1-1/4" (32mm)	2-1/8" (54mm)	3" (76mm)
1-3/8" (35mm)	2-3/8" (60mm)	
- 77-1141 Wrought strike box available separately
- To order strike, specify 808 strike x finish x lip length

*This strike provided standard with all locks effective May 15, 2025.

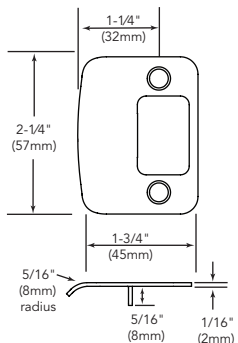
2-3/4" CURVED LIP STRIKE (29- OPTION)



- Brass, bronze or stainless steel
- Furnished standard with 1-1/4" (32mm) curved lip from center of strike screw holes to end of lip
- Lip lengths

1" (25mm)	1-3/4" (44mm)
1-1/4" (32mm) standard	2" (51mm)
1-1/2" (38mm)	3" (76mm)
- Plastic strike box AM-0044 included when 29- ordered with lockset
- To order strike, specify 800 strike x finish x lip length

2-1/4" FULL LIP STRIKE (14- OPTION)



- Furnished standard with curved lip 1-1/4" (32mm) from center of strike screw holes to end of lip
- No other lip lengths available
- To order strike, specify: 505 strike x finish

ANSI WROUGHT STRIKE BOX

- Used with ANSI 4-7/8" (124mm) strike (#808)
- To order, specify 77-1141

PART NO.	DESCRIPTION
77-1141	4-7/8" ANSI strike box



- Strike screw pack must be ordered separately, see page 7.

A8412 12/25

7 Line Cylindrical Lever Locks

SCREW PACKS - COMPLETE

PART NO.	DESCRIPTION
10-2052*	800 T-Strike (29-Option) - Includes stike, latch and surface screws
10-2070*	Standard 808 ANSI Strike (28- Option**) -includes strike, latch and surface screws
10-2071	Dummy Functions (93, 94 & 94-2)

MISCELLANEOUS

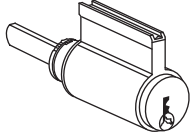
PART NO.	DESCRIPTION
01-4414	Surface Screws (2 per lock) - Pan Head (#6-3/4")
07-0100	Cardboard Spacer
07-0270	Thru-Bolt Screw #8-32 x 2-1/8" (2 per lock)
07-2447*	Dummy Thru-Bolt Mounting Pack -93 Function (03 or 26D finish only)
10-3667*	Blank Front Assembly - 94-2 Function
07-2648	1-3/8" Door Mounting Kit (1 plate & 2 spacers) (1- & 20- Option)
10-0077	Lever Catch Spring
10-0197	Lever Retainer
10-0043	Lever Release Tool

* Specify Finish

**Effective May 15, 2025, ANSI strike provide standard and Option 28- no longer required.

7 Line Cylindrical Lever Locks

Brass, 6-Pin
2 nickel silver keys
Finishes: 04, 15, BSP



FIXED CORE CYLINDERS

DESCRIPTION	CYLINDER	TAILPIECE
Conventional	C10-1	13-0895
Signature	10-C10-1	
XC	11-C10-1	
Keso	F1-82-C10-1	
Degree DG1	DG1-C10-1	
Degree DG2	DG2-C10-1	
Degree DG3	DG3-C10-1	

LARGE FORMAT INTERCHANGEABLE CORE (LFIC)

DESCRIPTION	CORE MODEL NUMBER	TAILPIECE PACK
Conventional	6300	10-0239
Signature	10-6300	
XC	11-6300	10-3429
Degree DG1	DG1-6300	
Degree DG2	DG2-6300	
Degree DG3	DG3-6300	

SMALL FORMAT INTERCHANGEABLE CORE (SFIC)

DESCRIPTION	CORE MODEL NUMBER	TAILPIECE PACK
6-Pin SFIC	7300B	10-0239
7-Pin SFIC	7P-7300B	10-0240
XC	11-7P-7300B	10-3138

SCHLAGE	TAILPIECE PACK
30-	N/A
SF-	10-3428

MISCELLANEOUS

PART NUMBER	DESCRIPTION
01-0949	Washer only – for Schlage Cylinder (30- option) (2 required per lock)
10-2090	Cylinder Retainer & Washer Pack (30- option)
10-0019	Cylinder Spacer - White Plastic Disk
10-0032	Cylinder Retainer (KESO Cores)
C10-3	Emergency Release Cylinder - Privacy/Bathroom Function (65)

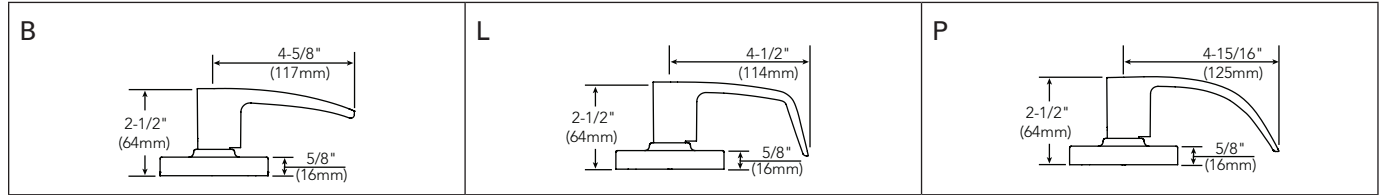
A8412 12/25

The warranty on SARGENT® products becomes void if the product is modified in any way, regardless of whether the modification causes or contributes to any alleged defect. If a SARGENT product is modified it may no longer meet industry certification and quality control standards applicable to the original product and is no longer a genuine SARGENT product.

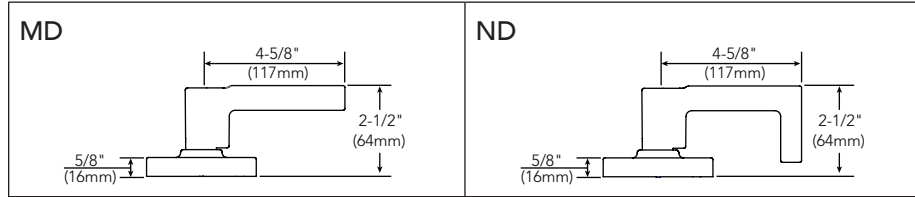
Copyright © 2019, 2025, Sargent Manufacturing Company, an ASSA ABLOY Group company. All rights reserved. Reproduction in whole or in part without the express written permission of Sargent Manufacturing Company is prohibited.

7 Line Cylindrical Lever Locks

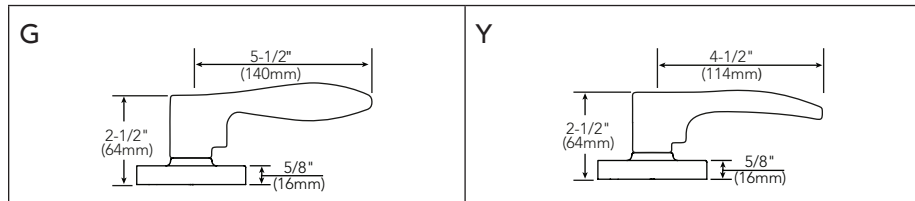
LEVERS - SOLID CAST ZINC



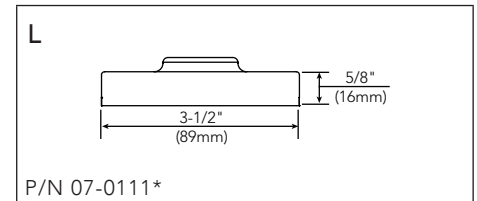
DECORATIVE LEVERS



COASTAL SERIES™ LEVERS



ROSE (INSIDE OR OUTSIDE)



LEVERS*

APPLICATION	B	L	P	G LEFT	G RIGHT	Y LEFT	Y RIGHT	MD	ND
Passage/plain	10-0523	10-0501	10-0545	10-0567	10-0568	10-0611	10-0612	10-1356	10-1361
Emergency release (65), fixed core cylinder (SARGENT® 6-pin)	10-0524	10-0502	10-0546	10-0569	10-0570	10-0613	10-0614	10-1357	10-1362
Push/turn button, fixed core cylinder (Schlage® 6-pin, 30-)	10-0525	10-0503	10-0547	10-0571	10-0572	10-0615	10-0616	10-1358	10-1363
LFIC (SARGENT® 60-, 63-, 64-)	10-1021	10-1017	10-1025	10-1033	10-1041	10-1037	10-1045	10-1359	10-1364
LFIC (Schlage® 6-pin SF-)	N/A	10-0507	N/A	N/A	N/A	N/A	N/A	N/A	N/A
SFIC 6/7-pin (70-, 72-, 73-)	10-1020	10-1016	10-1024	10-1032	10-1040	10-1036	10-1044	10-1360	10-1365
KESO cylinder (SARGENT® 82-)	10-0528	10-0506	10-0550	10-0577	10-0578	10-0621	10-0622	N/A	N/A

LEVERS WITH MILLING* (75-, 76-, 77-)

APPLICATION	B	L	P
Passage/plain	10-0534	10-0512	10-0556
Emergency release (65), fixed core cylinder (SARGENT® 6-pin)	10-0535	10-0513	10-0557
Push/turn button, fixed core cylinder (Schlage® 6-pin, 30-)	10-0536	10-0514	10-0558
LFIC (SARGENT® 60-, 63-, 64-)	10-1023	10-1019	10-1027
LFIC (Schlage® 6-pin SF-)	N/A	10-0518	N/A
SFIC 6/7-pin (70-, 72-, 73-)	10-1022	10-1018	10-1026
KESO cylinder (SARGENT® 82-)	10-0539	10-0517	10-0561

* Specify Finish

Experience a safer
and more open world

The warranty on SARGENT® products becomes void if the product is modified in any way, regardless of whether the modification causes or contributes to any alleged defect. If a SARGENT product is modified it may no longer meet industry certification and quality control standards applicable to the original product and is no longer a genuine SARGENT product.

Copyright © 2019, 2025, Sargent Manufacturing Company, an ASSA ABLOY Group company. All rights reserved. Reproduction in whole or in part without the express written permission of Sargent Manufacturing Company is prohibited.

7 Line Cylindrical Lever Locks

HOW TO ORDER PARTS

1. In order to simplify the ordering procedure and maintain regulatory compliance, parts are only available as listed
2. To order parts, provide the appropriate quantity, part number, finish, hand (when required) and description as directed and illustrated below.

For example, use the following configuration to order:

- A) ten lockbodies in satin chrome
- B) one passage/plain L lever in bright brass

	QUANTITY	PART NUMBER	FINISH	HAND	DESCRIPTION
A	10	07-2660	26D	—	Entrance Function Lockbody
B	1	10-0501	03	—	Passage/Plain L Lever

For assistance, contact your authorized SARGENT distributor, sales agency or visit our website at www.sargentlock.com.

FINISHES

SARGENT #	DESCRIPTIONS	ANSI/BHMA
03	Polished brass, clear coated	605
04	Satin brass, clear coated	606
09	Polished bronze, clear coated	611
10	Satin bronze, clear coated	612
10B	Oxidized bronze, oil rubbed	613
10BE	Dark Oxidized Satin Bronze - equivalent	613E
10BL	Oxidized satin, bronze, clear coated	613L
14	Polished nickel, clear coated	618
15	Satin nickel, clear coated	619
20D	Statuary dark bronze, clear coated	624
26	Polished chrome	625
26D	Satin chrome	626
BSP	Black suede powder coat	BSP
WSP	White suede powder coat	WSP

LOCK FINISH	CYLINDER/CORE*
03, 04, 09, 10, 10B, 10BE, 10BL, 20D	04
14, 15, 26, 26D, WSP	15
BSP	BSP

*Finish when cylinder provided with lock, exceptions may apply.

The ASSA ABLOY Group is the global leader in access solutions. Every day, we help billions of people experience a more open world.

ASSA ABLOY Opening Solutions leads the development within door openings and products for access solutions in homes, businesses and institutions. Our offering includes doors, frames, door and window hardware, mechanical and smart locks, access control and service.

SARGENT[®]
ASSA ABLOY

SARGENT Manufacturing Company
100 Sargent Drive
New Haven, CT 06511 USA
800-727-5477
www.sargentlock.com

Founded in the early 1800s, SARGENT[®] is a market leader in locksets, cylinders, door closers, exit devices, electro-mechanical products and access control systems for new construction, renovation, and replacement applications. The company's customer base includes commercial construction, institutional, and industrial markets.

Copyright © 2019, 2025, Sargent Manufacturing Company, an ASSA ABLOY Group company. All rights reserved.
Reproduction in whole or in part without the express written permission of Sargent Manufacturing Company is prohibited.