

SARGENT®

ASSA ABLOY

7800 Series Mortise Lock Parts Manual



For assistance, contact SARGENT at
800-727-5477 or www.sargentlock.com

⚠ WARNING

This product can expose you to lead which is known to the state of California to cause cancer and birth defects or other reproductive harm. For more information go to www.P65warnings.ca.gov.

08/2018

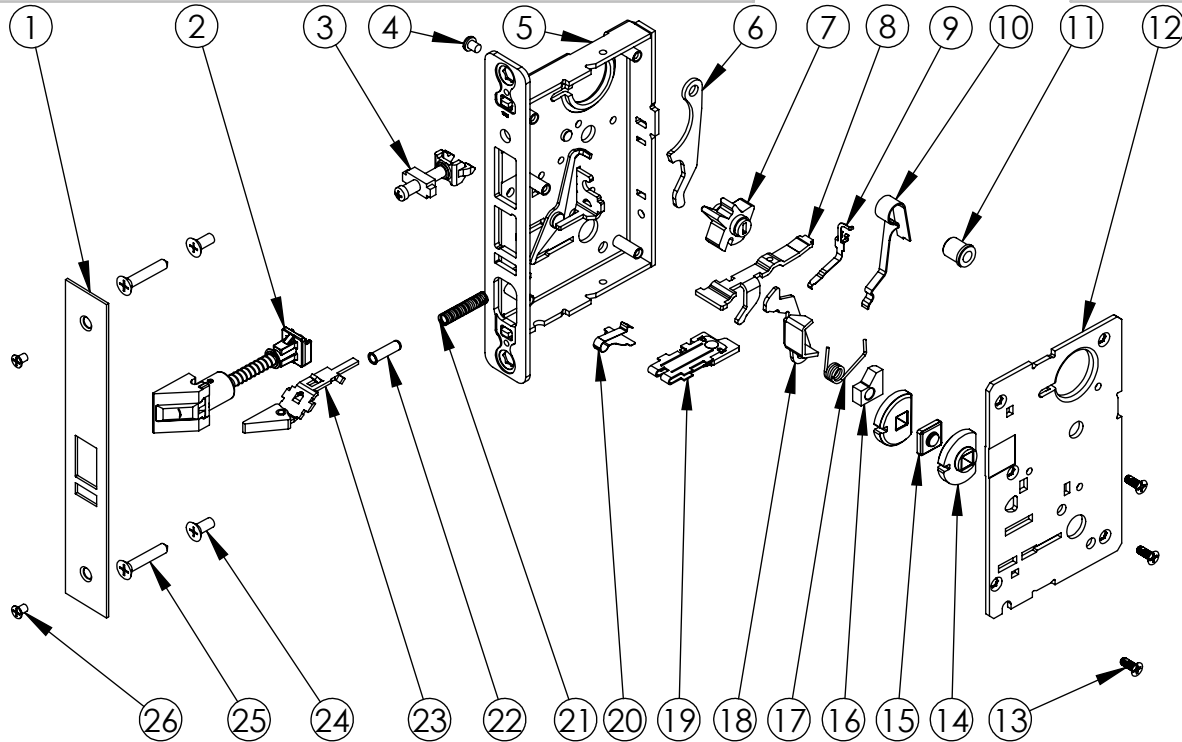
7804 STOREROOM OR CLOSET
 7806 STOREROOM OR SERVICE
 7817 ASYLUM OR INSTITUTIONAL
 7836 CLOSET
 7837 CLASSROOM
 7838 CLASSROOM SECURITY INTRUDER LATCHBOLT

7805 OFFICE OR ENTRY
 7813 EXIT LATCH
 7831 UTILITY

PARTS LIST

PAGE REV.
 No. B
 78.2

07-2009



ITEM NO.	PART NUMBER	DESCRIPTION	QTY.
1	82-0081	OUTSIDE FRONT	1
2	82-3655	LATCHBOLT ASSEMBLY	1
3	82-4172	CYLINDER RETAINER	1
4	01-9180	CATCH SCREW	1
5	82-4174	CASE ASSEMBLY	1
6	82-0160	CYLINDER LATCH LEVER (CLASSROOM)	1
7	82-0168	CONTROL HUB	1
8	82-0103	GUARD LEVER	1
9	82-0138	GUARD LEVER SPRING	1
10	82-0161	CLASSROOM SPRING	1
11	82-0171	SPACER (CLASSROOM)	1
12	82-0024	MORTISE LOCK CAP	1
13	01-4402	MACHINE SCREW (#8-32 x 5/16")	5
14	78-0008	NON-HANDED HUB	2
15	78-0009	NON-HANDED HUB SPACER	1
16	78-0286	SPACER STOP	1
17	77-1060	LATCH LEVER SPRING	1
18	78-0007	LATCH LEVER	1
19	82-3092	LOCKING PIECE ASSEMBLY	1
20	82-0102	TOGGLE SPRING	1
21	82-0393	GUARD BOLT SPRING	1
22	82-0392	SPRING GUIDE EYELET	1
23	82-2029	GUARD BOLT ASSEMBLY	1
24	01-1019	MACHINE SCREW (#12-24 x 1/2")	2
25	01-2299	WOOD SCREW (#12 x 1-1/4")	2
26	01-1028	MACHINE SCREW (#8-32 x 1/4")	2

© SARGENT Manufacturing Company. All Rights reserved.

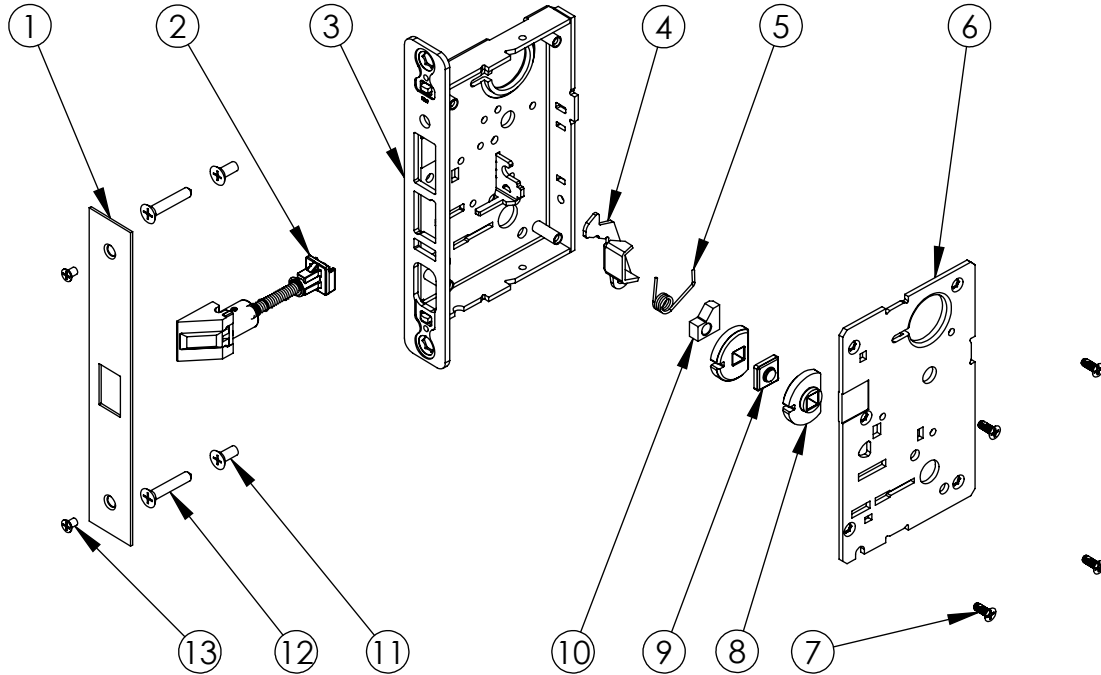
SARGENT
ASSA ABLOY

7815 PASSAGE OR CLOSET

PARTS LIST

PAGE No. 78.3
REV. B

07-2009



ITEM NO.	PART NUMBER	DESCRIPTION	QTY.
1	82-0423	OUTSIDE FRONT	1
2	82-3655	LATCHBOLT ASSEMBLY	1
3	-----	CASE ASSEMBLY	1
4	78-0007	LATCH LEVER	1
5	77-1060	LATCH LEVER SPRING	1
6	82-0024	MORTISE LOCK CAP	1
7	01-4402	MACHINE SCREW (#8-32 x 5/16")	4
8	78-0008	NON-HANDED HUB	2
9	78-0009	NON-HANDED HUB SPACER	1
10	78-0286	SPACER STOP	1
11	01-1019	MACHINE SCREW (#12-24 x 1/2")	2
12	01-2299	WOOD SCREW (#12 x 1-1/4")	2
13	01-1028	MACHINE SCREW (#8-32 x 1/4")	2

© SARGENT Manufacturing Company. All Rights reserved.

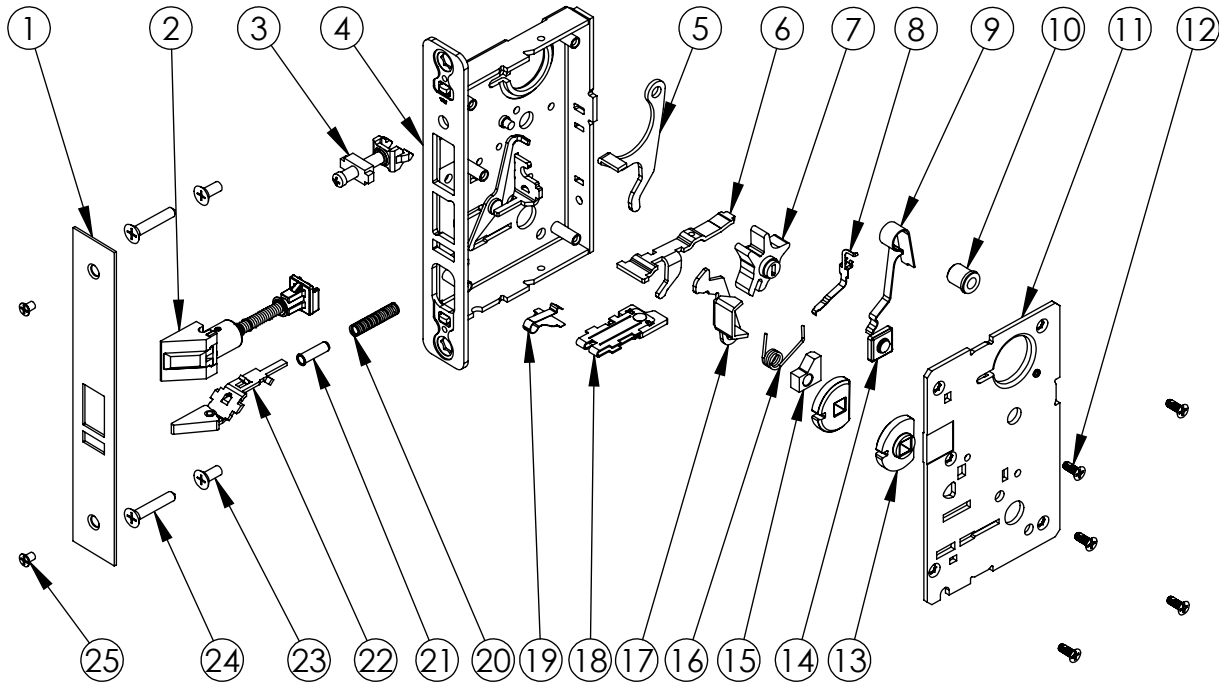
SARGENT
ASSA ABLOY

7816 APARTMENT, EXIT OR PUBLIC RESTROOM

PARTS LIST

PAGE No. 78.4
REV. B

07-2009



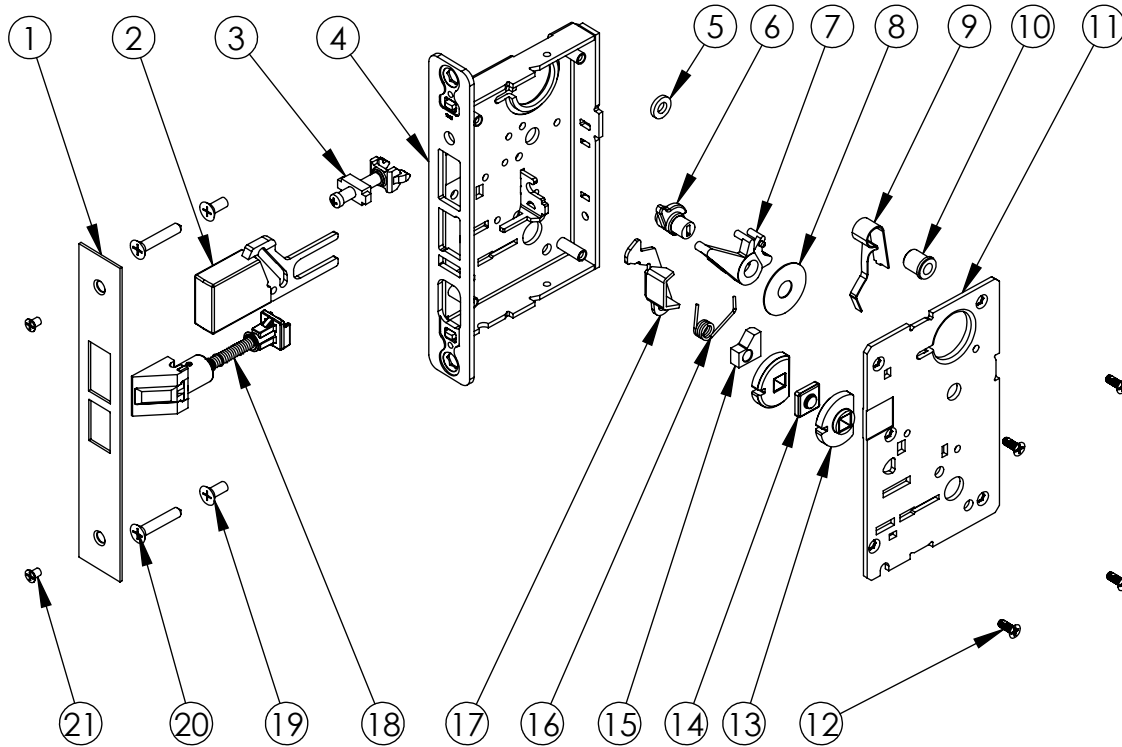
ITEM NO.	PART NUMBER	DESCRIPTION	QTY.
1	82-0424	OUTSIDE FRONT	1
2	82-3655	LATCHBOLT ASSEMBLY	1
3	82-4172	CYLINDER RETAINER	1
4	----	CASE ASSEMBLY	1
5	82-0139	CYLINDER LATCH LEVER	1
6	82-0103	GUARD LEVER	1
7	82-0465	HUB	1
8	82-0138	GUARD LEVER SPRING	1
9	82-0161	CLASSROOM SPRING	1
10	82-0171	SPACER (CLASSROOM)	1
11	82-2129	CAP ASSEMBLY	1
12	01-4402	MACHINE SCREW (#8-32 x 5/16")	5
13	78-0008	NON-HANDED HUB	2
14	78-0009	NON-HANDED HUB SPACER	1
15	78-0286	SPACER STOP	1
16	77-1060	LATCH LEVER SPRING	1
17	78-0007	LATCH LEVER	1
18	82-3092	LOCKING PIECE ASSEMBLY	1
19	82-0102	TOGGLE SPRING	1
20	82-0393	GUARD BOLT SPRING	1
21	82-0392	SPRING GUIDE EYELET	1
22	82-2029	GUARD BOLT ASSEMBLY	1
23	01-1019	MACHINE SCREW (#12-24 X 1/2")	2
24	01-2299	WOOD SCREW (#12 x 1-1/4")	2
25	01-1028	MACHINE SCREW (#8-32 x 1/4")	2

**7824 STOREROOM DOOR
7826 STORE DOOR
7827 CLOSET OR STOREROOM
7868 PRIVACY BEDROOM OR BATH**

PARTS LIST

PAGE REV.
No. B
78.5

07-2009



ITEM NO.	PART NUMBER	DESCRIPTION	QTY.
1	82-0426	OUTSIDE FRONT	1
2	82-0700	DEADBOLT	1
3	82-4172	CYLINDER RETAINER	1
4	----	CASE ASSEMBLY	1
5	82-0170	WASHER (DEADBOLT SPRING)	1
6	82-0149	HUB CORE	1
7	82-0147	DEADBOLT ARM	1
8	82-0251	DEADBOLT WASHER	1
9	82-0144	SPRING (DEADBOLT)	1
10	82-0171	SPACER (CLASSROOM)	1
11	82-0024	CAP, MORTISE LOCK	1
12	01-4402	MACHINE SCREW (#8-32 x 5/16")	4
13	78-0008	NON-HANDED HUB	2
14	78-0009	NON-HANDED HUB SPACER	1
15	78-0286	SPACER STOP	1
16	77-1060	LATCH LEVER SPRING	1
17	78-0007	LATCH LEVER	1
18	82-3655	LATCHBOLT ASSEMBLY	1
19	01-1019	MACHINE SCREW (#12-24 x 1/2")	2
20	01-2299	WOOD SCREW (#12 x 1-1/4")	2
21	01-1028	MACHINE SCREW (#8-32 x 1/4")	2

© SARGENT Manufacturing Company. All Rights reserved.

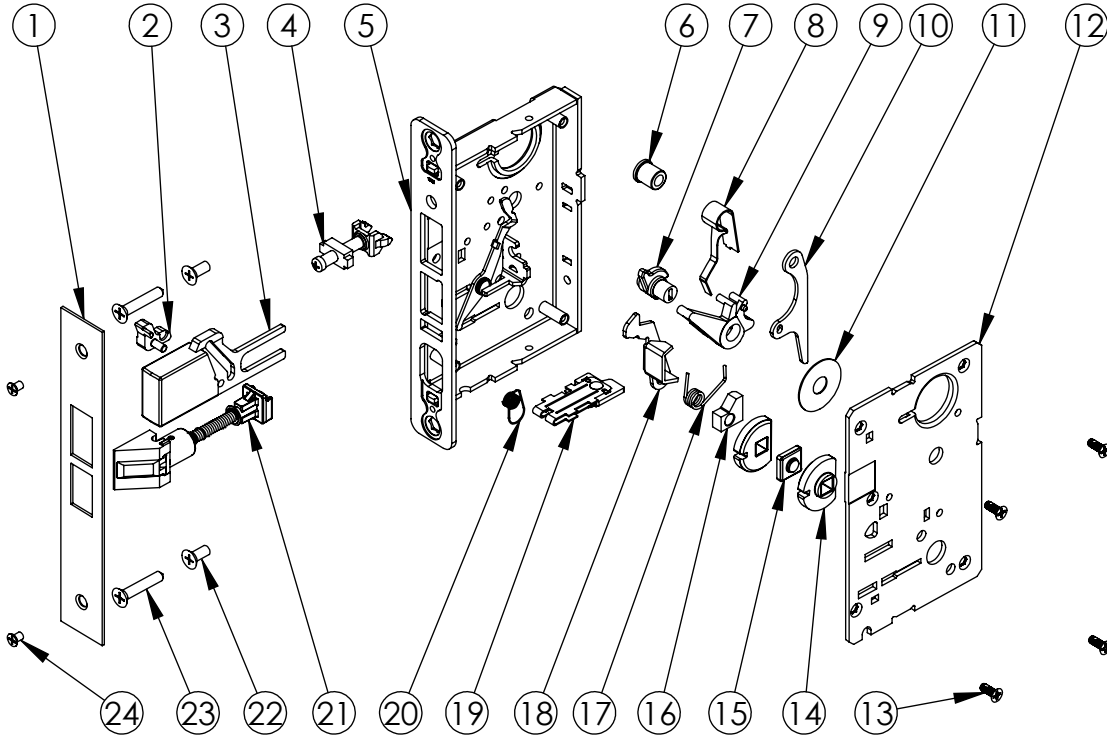
SARGENT®
ASSA ABLOY

7825 DORMITORY OR EXIT
 7835 STOREROOM
 7839 CLASSROOM SECURITY INTRUDER
 DEADBOLT
 7866 PRIVACY BEDROOM OR BATH

PARTS LIST

PAGE REV.
 No. B
 78.6

07-2009



ITEM NO.	PART NUMBER	DESCRIPTION	QTY.
1	82-0083	OUTSIDE FRONT STAMPED	1
2	82-0150	AUTO LOCK INSERT	1
3	82-0700	DEADBOLT	1
4	82-4172	CYLINDER RETAINER	1
5	82-4177	CASE ASSEMBLY	1
6	82-0171	SPACER (CLASSROOM)	1
7	82-0149	HUB CORE	1
8	82-0144	SPRING (DEADBOLT)	1
9	82-0147	DEADBOLT ARM	1
10	82-0133	AUTO RETRACT LEVER	1
11	82-0251	DEADBOLT WASHER	1
12	82-0024	MORTISE LOCK CAP	1
13	01-4402	MACHINE SCREW (#8-32 x 5/16")	4
14	78-0008	NON-HANDED HUB	2
15	78-0009	NON-HANDED HUB SPACER	1
16	78-0286	SPACER STOP	1
17	77-1060	LATCH LEVER SPRING	1
18	78-0007	LATCH LEVER	1
19	82-3092	LOCKING PIECE ASSEMBLY	1
20	82-0329	UN-LOCK SPRING	1
21	82-3655	LATCHBOLT ASSEMBLY	1
22	01-1019	MACHINE SCREW (#12-24 x 1/2")	2
23	01-2299	WOOD SCREW (#12 x 1-1/4")	2
24	01-1028	MACHINE SCREW (#8-32 x 1/4")	2

© SARGENT Manufacturing Company. All Rights reserved.

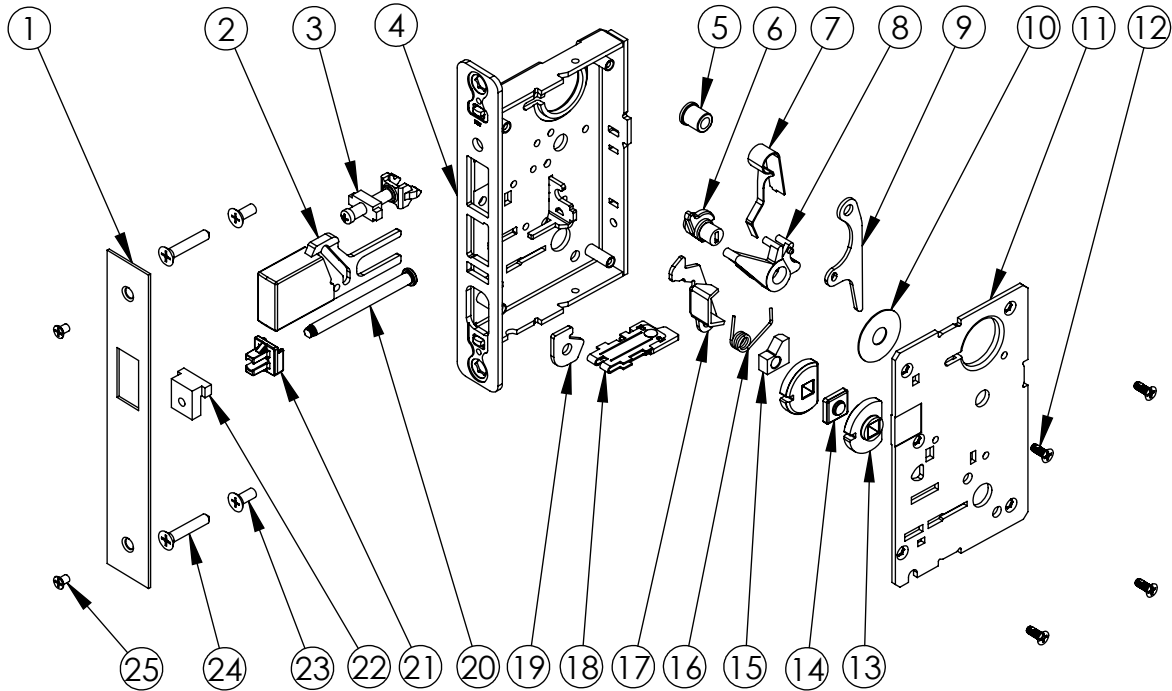
SARGENT
ASSA ABLOY

7828 DUMMY TRIM DEADLOCK
7829 DUMMY TRIM DEADLOCK
7830 DUMMY TRIM DEADLOCK

PARTS LIST

PAGE No. 78.7
 REV. B

07-2009



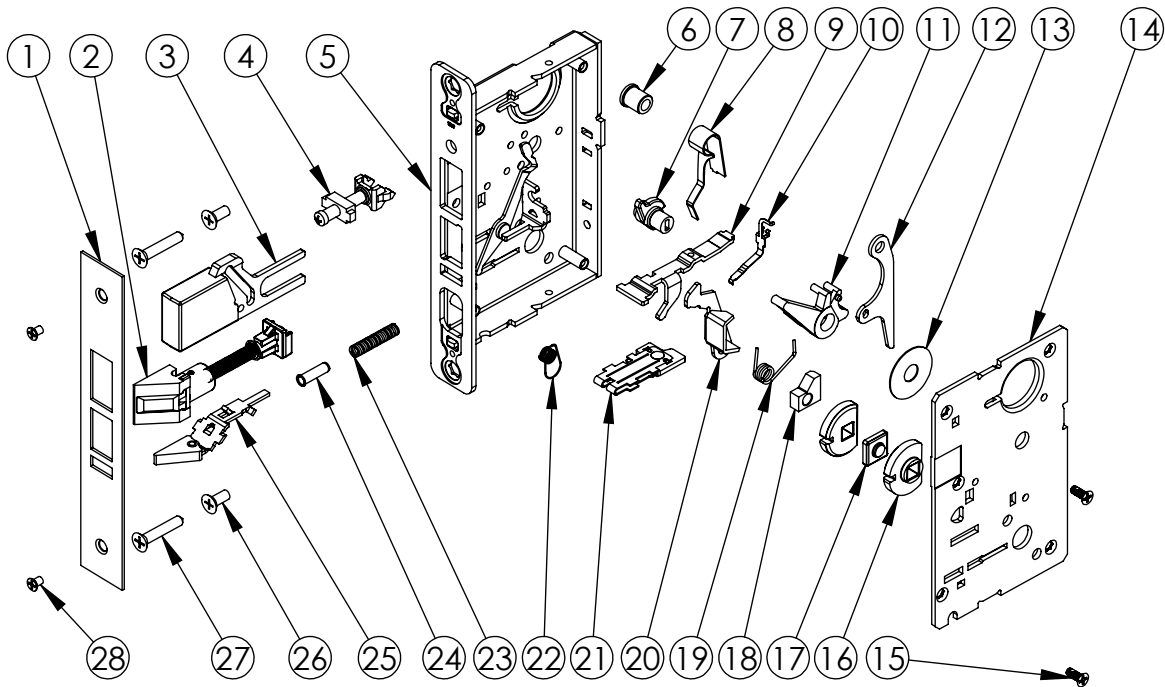
ITEM NO.	PART NUMBER	DESCRIPTION	QTY.
1	82-0425	OUTSIDE FRONT	1
2	82-0700	DEADBOLT	1
3	82-4172	CYLINDER RETAINER	1
4	----	CASE ASSEMBLY	1
5	82-0171	SPACER (CLASSROOM)	1
6	82-0149	HUB CORE	1
7	82-0144	SPRING (DEADBOLT)	1
8	82-0147	DEADBOLT ARM	1
9	82-0133	AUTO RETRACT LEVER	1
10	82-0251	DEADBOLT WASHER	1
11	82-0024	CAP, MORTISE LOCK	1
12	01-4402	MACHINE SCREW (#8-32 x 5/16")	4
13	78-0008	NON-HANDED HUB	2
14	78-0009	NON-HANDED HUB SPACER	1
15	78-0286	SPACER STOP	1
16	77-1060	LATCH LEVER SPRING	1
17	78-0007	LATCH LEVER	1
18	82-3092	LOCKING PIECE ASSEMBLY	1
19	82-0211	LOCKING PIECE JAM	1
20	82-0617	LATCHBOLT ROD	1
21	82-0244	GUIDED LATCHBOLT TAIL	1
22	82-0632	ROD SUPPORT	1
23	01-1019	MACHINE SCREW (#12-24 x 1/2")	2
24	01-2299	WOOD SCREW (#12 x 1-1/4")	2
25	01-1028	MACHINE SCREW (#8-32 x 1/4")	2

7840 CLASSROOM SECURITY INTRUDER DEADBOLT

PARTS LIST

PAGE REV.
No. B
78.8

07-2009



ITEM NO.	PART NUMBER	DESCRIPTION	QTY.
1	82-0084	OUTSIDE FRONT	1
2	82-3655	LATCHBOLT ASSEMBLY	1
3	82-0700	DEADBOLT	1
4	82-4172	CYLINDER RETAINER	1
5	82-4178	CASE ASSEMBLY	1
6	82-0171	SPACER (CLASSROOM)	1
7	82-0149	HUB CORE	1
8	82-0144	SPRING (DEADBOLT)	1
9	82-0103	GUARD LEVER	1
10	82-0138	GUARD LEVER SPRING	1
11	82-0147	DEADBOLT ARM	1
12	82-0133	AUTO RETRACT LEVER	1
13	82-0251	DEADBOLT WASHER	1
14	82-0024	CAP, MORTISE LOCK	1
15	01-4402	MACHINE SCREW (#8-32 x 5/16")	4
16	78-0008	NON-HANDED HUB	2
17	78-0009	NON-HANDED HUB SPACER	1
18	78-0286	SPACER STOP	1
19	77-1060	LATCH LEVER SPRING	1
20	78-0007	LATCH LEVER	1
21	82-3092	LOCKING PIECE ASSEMBLY	1
22	82-0329	UN-LOCK SPRING	1
23	82-0393	GUARD BOLT SPRING	1
24	82-0392	SPRING GUIDE EYELET	1
25	82-2029	GUARD BOLT ASSEMBLY	1
26	01-1019	MACHINE SCREW (#12-24 x 1/2")	2
27	01-2299	WOOD SCREW (#12 x 1-1/4")	2
28	01-1028	MACHINE SCREW (#8-32 x 1/4")	2

© SARGENT Manufacturing Company. All Rights reserved.

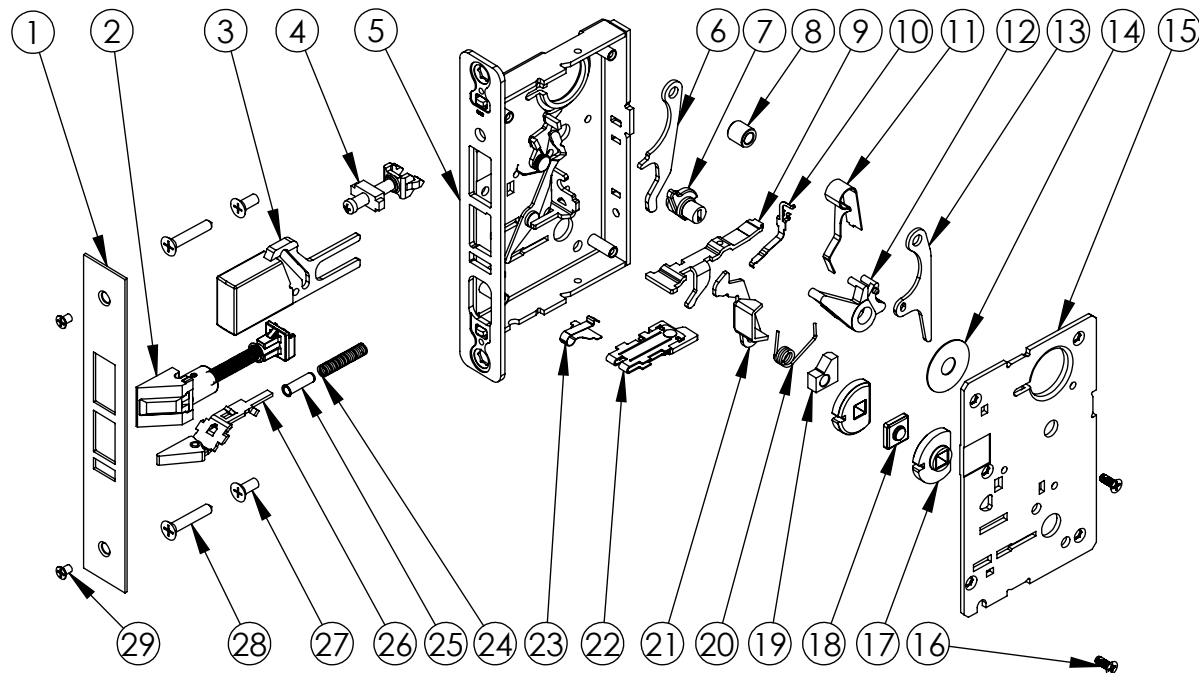
SARGENT®
ASSA ABLOY

7841 CLASSROOM SECURITY

PARTS LIST

PAGE No. 78.9
REV. B

07-2009



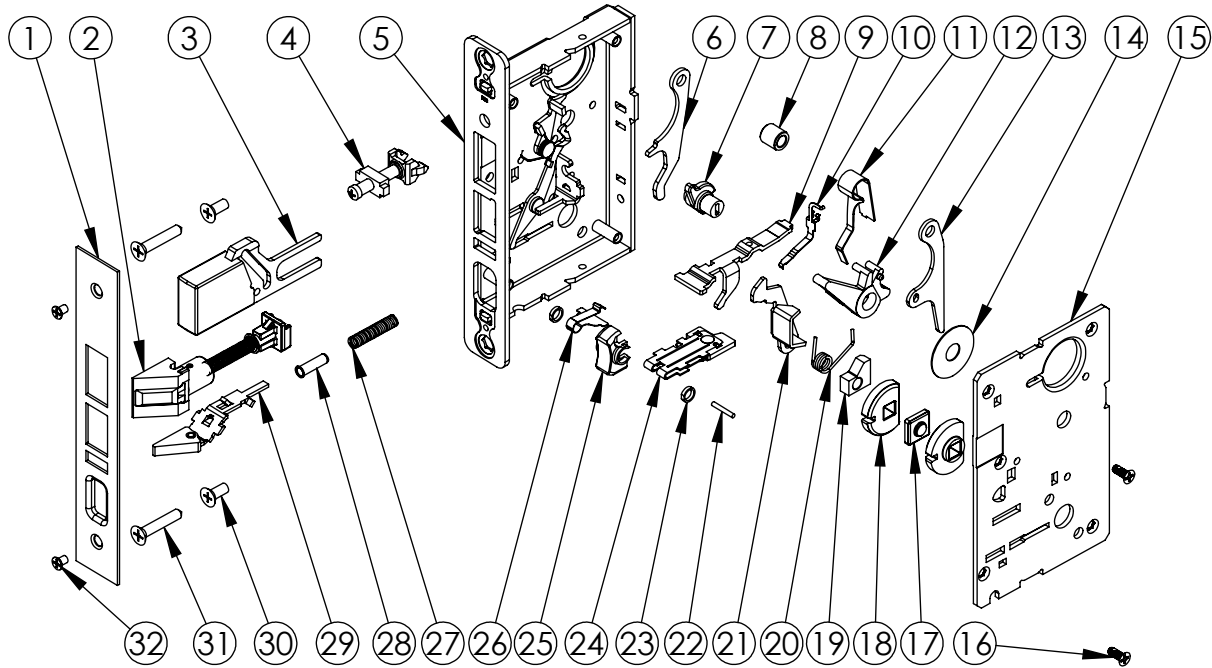
ITEM NO.	PART NUMBER	DESCRIPTION	QTY.
1	82-0084	OUTSIDE FRONT	1
2	82-3655	LATCHBOLT ASSEMBLY	1
3	82-0700	DEADBOLT	1
4	82-4172	CYLINDER RETAINER	1
5	82-4375	CASE ASSEMBLY	1
6	82-0408	CYLINDER LATCH LEVER	1
7	82-0149	HUB CORE	1
8	82-0128	SPACER (7/16" WIDTH)	1
9	82-0103	GUARD LEVER	1
10	82-0138	GUARD LEVER SPRING	1
11	82-0144	SPRING (DEADBOLT)	1
12	82-0147	DEADBOLT ARM	1
13	82-0133	AUTO RETRACT LEVER	1
14	82-0251	DEADBOLT WASHER	1
15	82-0024	CAP, MORTISE LOCK	1
16	01-4402	MACHINE SCREW (#8-32 x 5/16")	4
17	78-0008	NON-HANDED HUB	2
18	78-0009	NON-HANDED HUB SPACER	1
19	78-0286	SPACER STOP	1
20	77-1060	LATCH LEVER SPRING	1
21	78-0007	LATCH LEVER	1
22	82-3092	LOCKING PIECE ASSEMBLY	1
23	82-0102	TOGGLE SPRING	1
24	82-0393	GUARD BOLT SPRING	1
25	82-0392	SPRING GUIDE EYELET	1
26	82-2029	GUARD BOLT ASSEMBLY	1
27	01-1019	MACHINE SCREW (#12-24 x 1/2")	2
28	01-2299	WOOD SCREW (#12 x 1-1/4")	2
29	01-1028	MACHINE SCREW (#8-32 x 1/4")	2

7843 APARTMENT CORRIDOR DOOR

PARTS LIST

PAGE No. 78.10
REV. B

07-2009



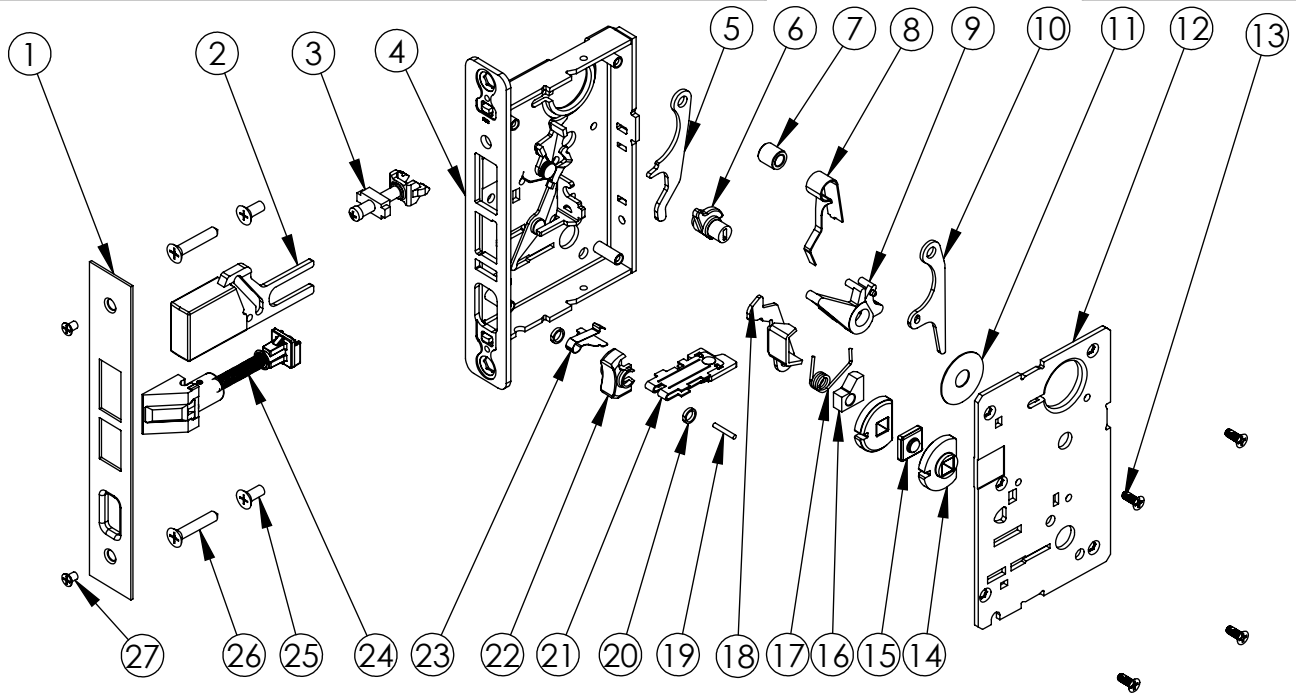
ITEM NO.	PART NUMBER	DESCRIPTION	QTY.
1	82-0087	OUTSIDE FRONT	1
2	82-3655	LATCHBOLT ASSEMBLY	1
3	82-0700	DEADBOLT	1
4	82-4172	CYLINDER RETAINER	1
5	82-4441	CASE ASSEMBLY	1
6	82-0408	CYLINDER LATCH LEVER	1
7	82-0149	HUB CORE	1
8	82-0128	SPACER (7/16" WIDTH)	1
9	82-0103	GUARD LEVER	1
10	82-0138	GUARD LEVER SPRING	1
11	82-0144	SPRING (DEADBOLT)	1
12	82-0147	DEADBOLT ARM	1
13	82-0133	AUTO RETRACT LEVER	1
14	82-0251	DEADBOLT WASHER	1
15	82-0024	CAP, MORTISE LOCK	1
16	01-4402	MACHINE SCREW (#8-32 x 5/16")	4
17	78-0009	NON-HANDED HUB SPACER	1
18	78-0008	NON-HANDED HUB	2
19	78-0286	SPACER STOP	1
20	77-1060	LATCH LEVER SPRING	1
21	78-0007	LATCH LEVER	1
22	82-0125	CONNECTING PIN (TOGGLE BUTTON)	1
23	82-0212	TOGGLE WASHER	2
24	82-3092	LOCKING PIECE ASSEMBLY	1
25	82-0101	TOGGLE BUTTON	1
26	82-0102	TOGGLE SPRING	1
27	82-0393	GUARD BOLT SPRING	1
28	82-0392	SPRING GUIDE EYELET	1
29	82-2029	GUARD BOLT ASSEMBLY	1
30	01-1019	MACHINE SCREW (#12-24 x 1/2")	2
31	01-2299	WOOD SCREW (#12 x 1-1/4")	2
32	01-1028	MACHINE SCREW (#8-32 x 1/4")	2

**7845 DORMITORY OR EXIT
7846 DORMITORY OR EXIT**

PARTS LIST

PAGE REV.
No. B
78.11

07-2009



ITEM NO.	PART NUMBER	DESCRIPTION	QTY.
1	82-0086	OUTSIDE FRONT	1
2	82-0700	DEADBOLT	1
3	82-4172	CYLINDER RETAINER	1
4	82-4441	CASE ASSEMBLY	1
5	82-0408	CYLINDER LATCH LEVER	1
6	82-0149	HUB CORE	1
7	82-0128	SPACER (7/16" WIDTH)	1
8	82-0144	SPRING (DEADBOLT)	1
9	82-0147	DEADBOLT ARM	1
10	82-0133	AUTO RETRACT LEVER	1
11	82-0251	DEADBOLT WASHER	1
12	82-0024	CAP, MORTISE LOCK	1
13	01-4402	MACHINE SCREW (#8-32 x 5/16")	4
14	78-0008	NON-HANDED HUB	2
15	78-0009	NON-HANDED HUB SPACER	1
16	78-0286	SPACER STOP	1
17	77-1060	LATCH LEVER SPRING	1
18	78-0007	LATCH LEVER	1
19	82-0125	CONNECTING PIN (TOGGLE BUTTON)	1
20	82-0212	TOGGLE WASHER	2
21	82-3092	LOCKING PIECE ASSEMBLY	1
22	82-0101	TOGGLE BUTTON	1
23	82-0102	TOGGLE SPRING	1
24	82-3655	LATCHBOLT ASSEMBLY	1
25	01-1019	MACHINE SCREW (#12-24 x 1/2")	2
26	01-2299	WOOD SCREW (#12 x 1-1/4")	2
27	01-1028	MACHINE SCREW (#8-32 x 1/4")	2

© SARGENT Manufacturing Company. All Rights reserved.

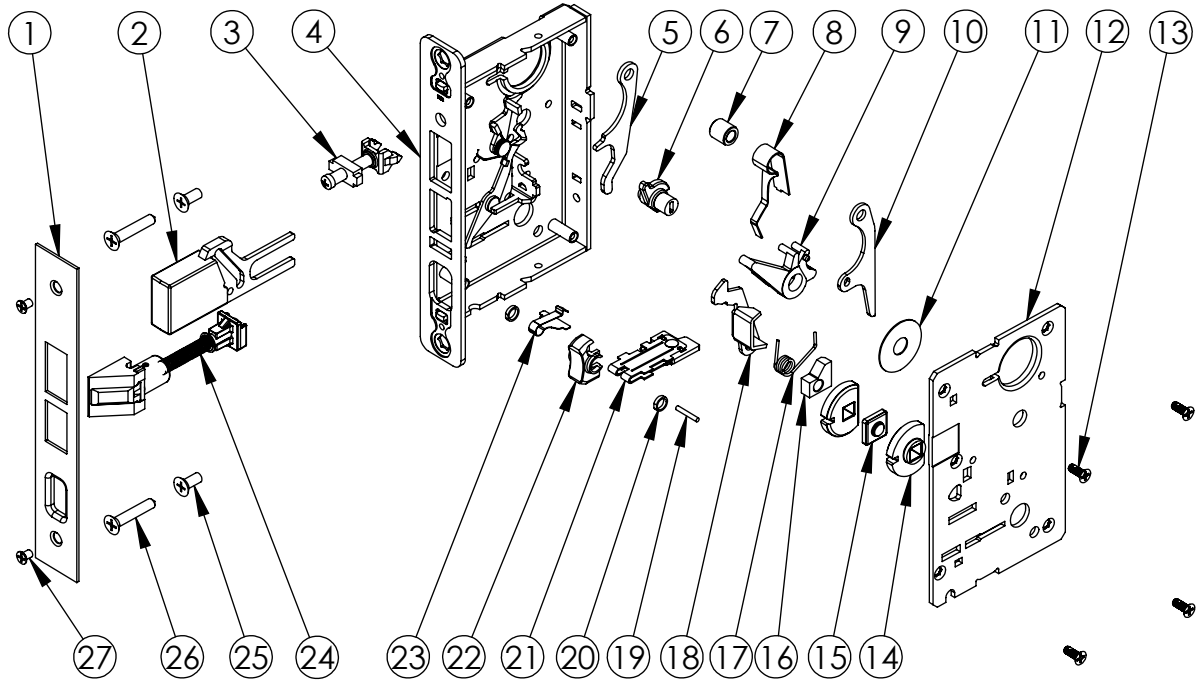
SARGENT®
ASSA ABLOY

7847 APARTMENT CORRIDOR DOOR 7848 STORE DOOR

PARTS LIST

PAGE REV.
No. B
78.12

07-2009



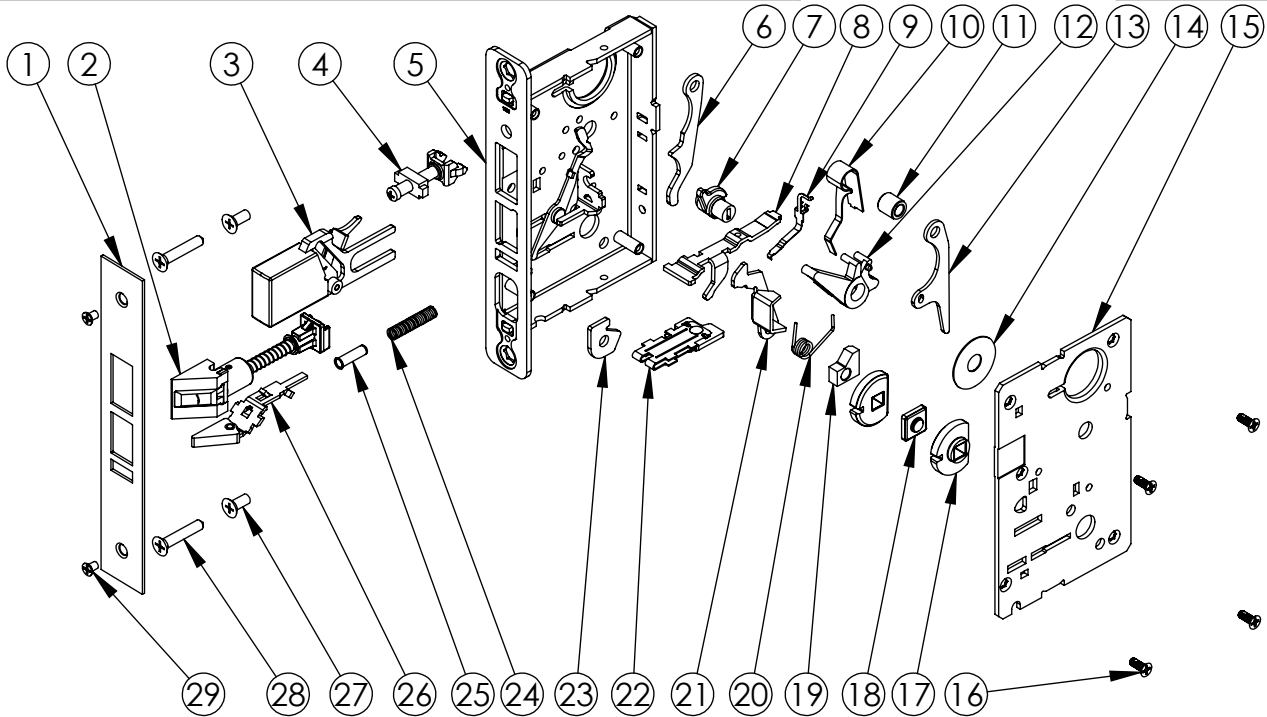
ITEM NO.	PART NUMBER	DESCRIPTION	QTY.
1	82-0086	OUTSIDE FRONT	1
2	82-0700	DEADBOLT	1
3	82-4172	CYLINDER RETAINER	1
4	82-4441	CASE ASSEMBLY	1
5	82-0408	CYLINDER LATCH LEVER	1
6	82-0149	HUB CORE	1
7	82-0128	SPACER (7/16" WIDTH)	1
8	82-0144	SPRING (DEADBOLT)	1
9	82-0147	DEADBOLT ARM	1
10	82-0133	AUTO RETRACT LEVER	1
11	82-0251	DEADBOLT WASHER	1
12	82-0024	CAP, MORTISE LOCK	1
13	01-4402	MACHINE SCREW (#8-32 x 5/16")	4
14	78-0008	NON-HANDED HUB	2
15	78-0009	NON-HANDED HUB SPACER	1
16	78-0286	SPACER STOP	1
17	77-1060	LATCH LEVER SPRING	1
18	78-0007	LATCH LEVER	1
19	82-0125	CONNECTING PIN (TOGGLE BUTTON)	1
20	82-0212	TOGGLE WASHER	2
21	82-3092	LOCKING PIECE ASSEMBLY	1
22	82-0101	TOGGLE BUTTON	1
23	82-0102	TOGGLE SPRING	1
24	82-3655	LATCHBOLT ASSEMBLY	1
25	01-1019	MACHINE SCREW (#12-24 x 1/2")	2
26	01-2299	WOOD SCREW (#12 x 1-1/4")	2
27	01-1028	MACHINE SCREW (#8-32 x 1/4")	2

**7850 HOTEL GUEST
7851 STOREROOM DEADBOLT
7852 INSTITUTIONAL DEADBOLT**

PARTS LIST

PAGE REV.
No. B
78.13

8-2008



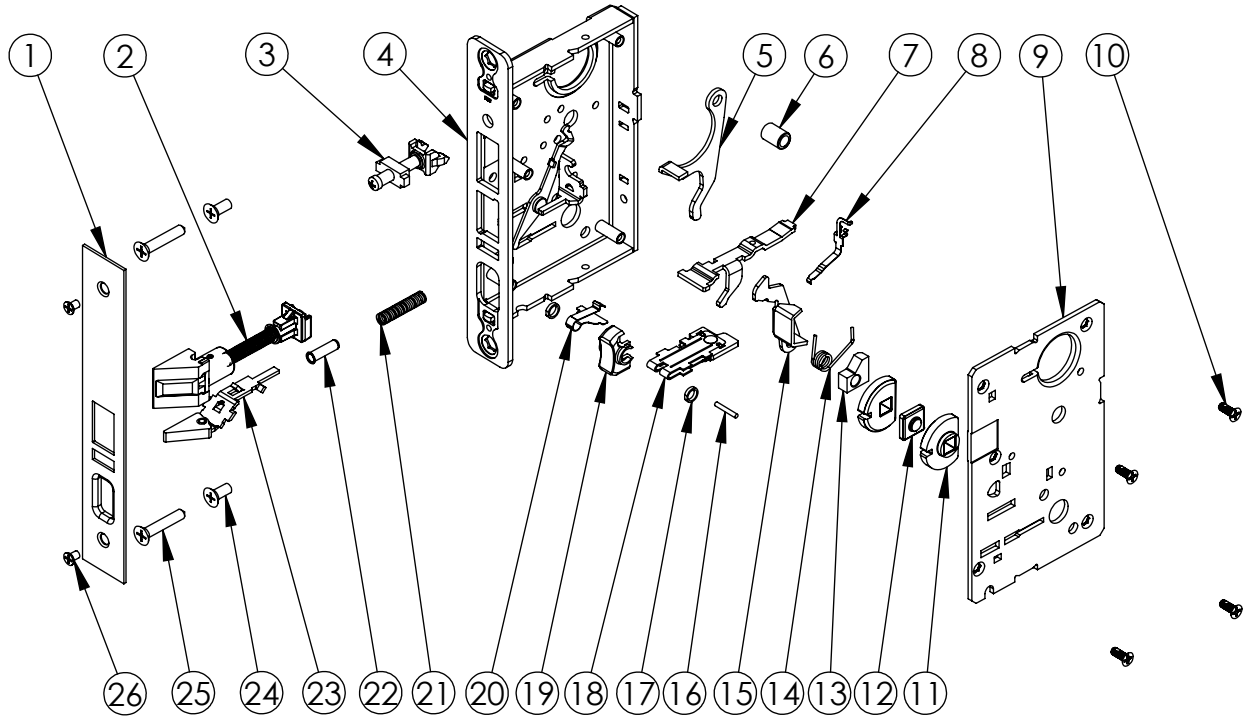
ITEM NO.	PART NUMBER	DESCRIPTION	QTY.
1	82-0084	OUTSIDE FRONT	1
2	82-3655	LATCHBOLT ASSEMBLY	1
3	82-4180	DEAD BOLT ASSEMBLY	1
4	82-4172	CYLINDER RETAINER	1
5	82-4177	CASE ASSEMBLY	1
6	82-0410	CYLINDER LATCH LEVER (50 FUNCTION)	1
7	82-0149	HUB CORE	1
8	82-0103	GUARD LEVER	1
9	82-0138	GUARD LEVER SPRING	1
10	82-0144	SPRING (DEADBOLT)	1
11	82-0128	SPACER (7/16" WIDTH)	1
12	82-0147	DEADBOLT ARM	1
13	82-0133	AUTO RETRACT LEVER	1
14	82-0251	DEADBOLT WASHER	1
15	82-0024	CAP, MORTISE LOCK	1
16	01-4402	MACHINE SCREW (#8-32 x 5/16")	4
17	78-0008	NON-HANDED HUB	2
18	78-0009	NON-HANDED HUB SPACER	1
19	78-0286	SPACER STOP	1
20	77-1060	LATCH LEVER SPRING	1
21	78-0007	LATCH LEVER	1
22	82-3092	LOCKING PIECE ASSEMBLY	1
23	82-0211	LOCKING PIECE JAM	1
24	82-0393	GUARD BOLT SPRING	1
25	82-0392	SPRING GUIDE EYELET	1
26	82-2029	GUARD BOLT ASSEMBLY	1
27	01-1019	MACHINE SCREW (#12-24 x 1/2")	2
28	01-2299	WOOD SCREW (#12 x 1-1/4")	2
29	01-1028	MACHINE SCREW (#8-32 x 1/4")	2

7855 OFFICE OR ENTRY

PARTS LIST

PAGE REV.
No. B
78.14

07-2009



ITEM NO.	PART NUMBER	DESCRIPTION	QTY.
1	82-0085	OUTSIDE FRONT	1
2	82-3655	LATCHBOLT ASSEMBLY	1
3	82-4172	CYLINDER RETAINER	1
4	82-4443	CASE ASSEMBLY	1
5	82-0139	CYLINDER LATCH LEVER	1
6	82-0127	SPACER (1/2" WIDTH)	1
7	82-0103	GUARD LEVER	1
8	82-0138	GUARD LEVER SPRING	1
9	82-0024	CAP, MORTISE LOCK	1
10	01-4402	MACHINE SCREW (#8-32 x 5/16")	4
11	78-0008	NON-HANDED HUB	2
12	78-0009	NON-HANDED HUB SPACER	1
13	78-0286	SPACER STOP	1
14	77-1060	LATCH LEVER SPRING	1
15	78-0007	LATCH LEVER	1
16	82-0125	CONNECTING PIN (TOGGLE BUTTON)	1
17	82-0212	TOGGLE WASHER	2
18	82-3092	LOCKING PIECE ASSEMBLY	1
19	82-0101	TOGGLE BUTTON	1
20	82-0102	TOGGLE SPRING	1
21	82-0393	GUARD BOLT SPRING	1
22	82-0392	SPRING GUIDE EYELET	1
23	82-2029	GUARD BOLT ASSEMBLY	1
24	01-1019	MACHINE SCREW (#12-24 x 1/2")	2
25	01-2299	WOOD SCREW (#12 x 1-1/4")	2
26	01-1028	MACHINE SCREW (#8-32 x 1/4")	2

© SARGENT Manufacturing Company. All Rights reserved.

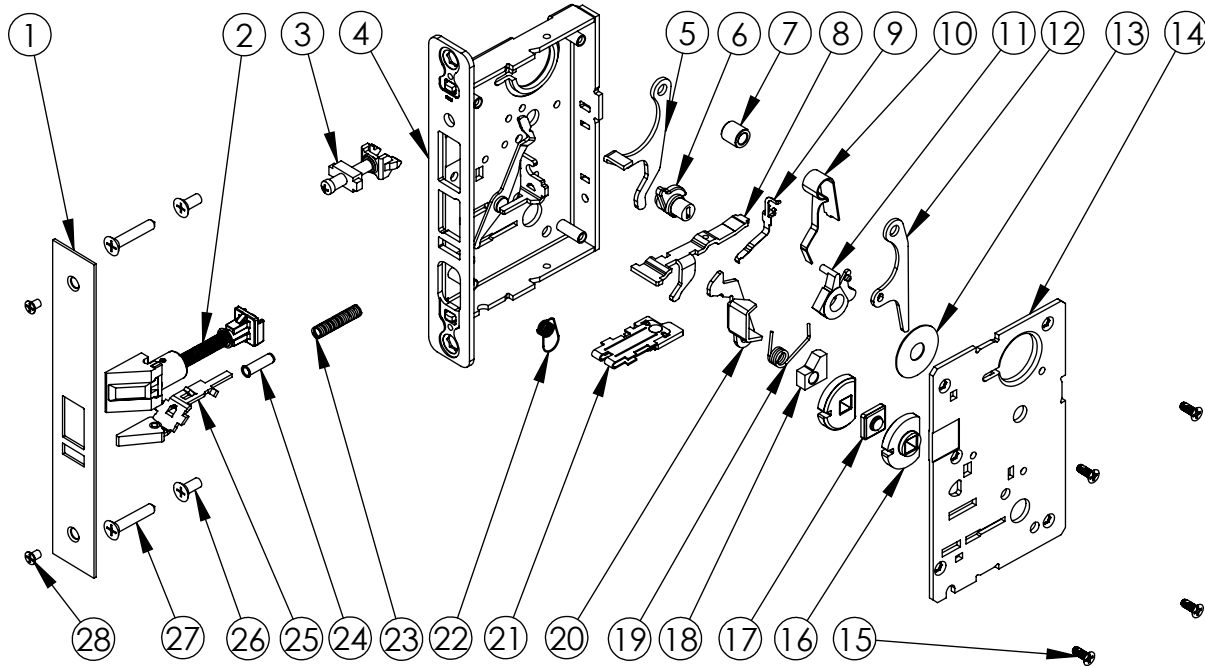
SARGENT
ASSA ABLOY

7856 OFFICE AND INTERIOR ENTRY

PARTS LIST

PAGE No. 78.15
REV. B

07-2009



ITEM NO.	PART NUMBER	DESCRIPTION	QTY.
1	82-0081	OUTSIDE FRONT	1
2	82-3655	LATCHBOLT ASSEMBLY	1
3	82-4172	CYLINDER RETAINER	1
4	82-4178	CASE ASSEMBLY	1
5	82-0139	CYLINDER LATCH LEVER	1
6	82-0149	HUB CORE	1
7	82-0128	SPACER (7/16" WIDTH)	1
8	82-0103	GUARD LEVER	1
9	82-0138	GUARD LEVER SPRING	1
10	82-0144	SPRING (DEADBOLT)	1
11	82-1041	DEADBOLT ARM (56 FUNCTION)	1
12	82-0133	AUTO RETRACT LEVER	1
13	82-0251	DEADBOLT WASHER	1
14	82-0024	CAP, MORTISE LOCK	1
15	01-4402	MACHINE SCREW (#8-32 x 5/16")	4
16	78-0008	NON-HANDED HUB	2
17	78-0009	NON-HANDED HUB SPACER	1
18	78-0286	SPACER STOP	1
19	77-1060	LATCH LEVER SPRING	1
20	78-0007	LATCH LEVER	1
21	82-3092	LOCKING PIECE ASSEMBLY	1
22	82-0329	UN-LOCK SPRING	1
23	82-0393	GUARD BOLT SPRING	1
24	82-0392	SPRING GUIDE EYELET	1
25	82-2029	GUARD BOLT ASSEMBLY	1
26	01-1019	MACHINE SCREW (#12-24 x 1/2")	2
27	01-2299	WOOD SCREW (#12 x 1-1/4")	2
28	01-1028	MACHINE SCREW (#8-32 x 1/4")	2

© SARGENT Manufacturing Company. All Rights reserved.

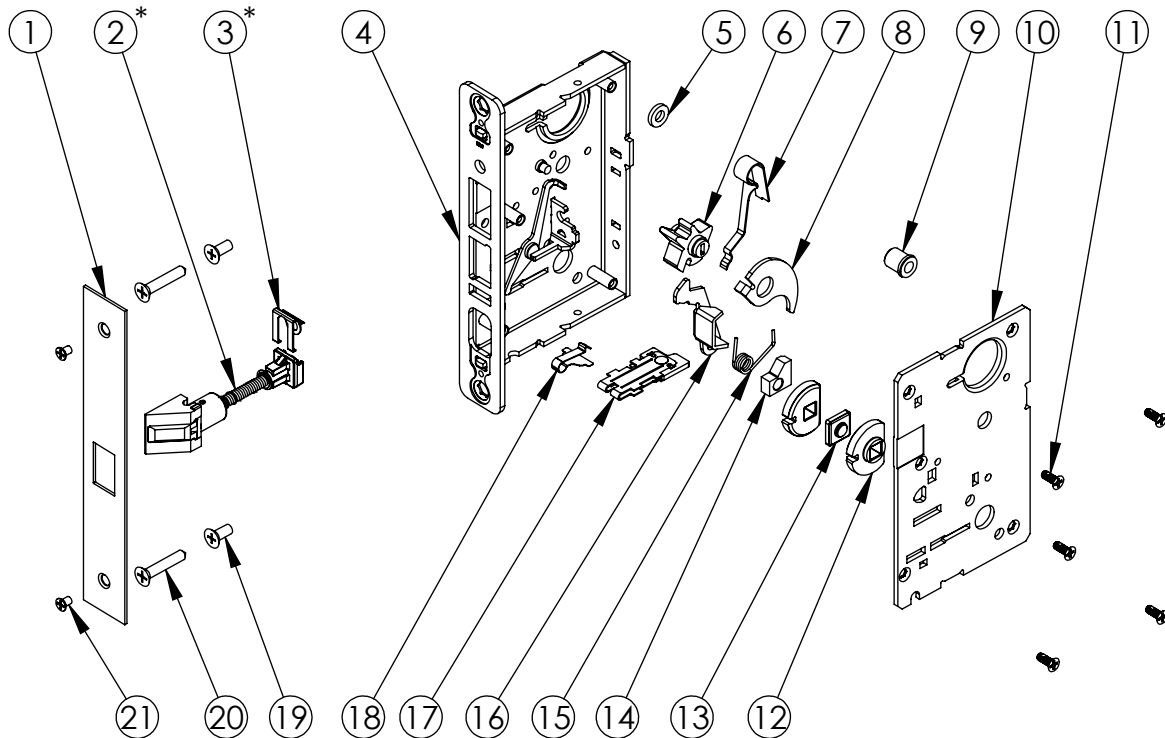
SARGENT
ASSA ABLOY

7865 PRIVACY BEDROOM OR BATH

PARTS LIST

PAGE No. 78.16
REV. B

07-2009



ITEM NO.	PART NUMBER	DESCRIPTION	QTY.
1	82-0080	OUTSIDE FRONT	1
2	82-3655	LATCHBOLT ASSEMBLY	1
3	82-0633	LATCHBOLT TAIL CLIP (65 FUNCTION)	1
4	82-4176	CASE ASSEMBLY	1
5	82-0170	WASHER (DEADBOLT SPRING)	1
6	82-0168	CONTROL HUB	1
7	82-0161	CLASSROOM SPRING	1
8	82-0464	PUSH LEVER	1
9	82-0171	SPACER (CLASSROOM)	1
10	82-0024	CAP, MORTISE LOCK	1
11	01-4402	MACHINE SCREW (#8-32 x 5/16")	5
12	78-0008	NON-HANDED HUB	2
13	78-0009	NON-HANDED HUB SPACER	1
14	78-0286	SPACER STOP	1
15	77-1060	LATCH LEVER SPRING	1
16	78-0007	LATCH LEVER	1
17	82-3092	LOCKING PIECE ASSEMBLY	1
18	82-0102	TOGGLE SPRING	1
19	01-1019	MACHINE SCREW (#12-24 x 1/2")	2
20	01-2299	WOOD SCREW (#12 x 1-1/4")	2
21	01-1028	MACHINE SCREW (#8-32 x 1/4")	2

* MUST ORDER BOTH PARTS. PARTS ARE SHIPPED ASSEMBLED FROM FACTORY.

© SARGENT Manufacturing Company. All Rights reserved.

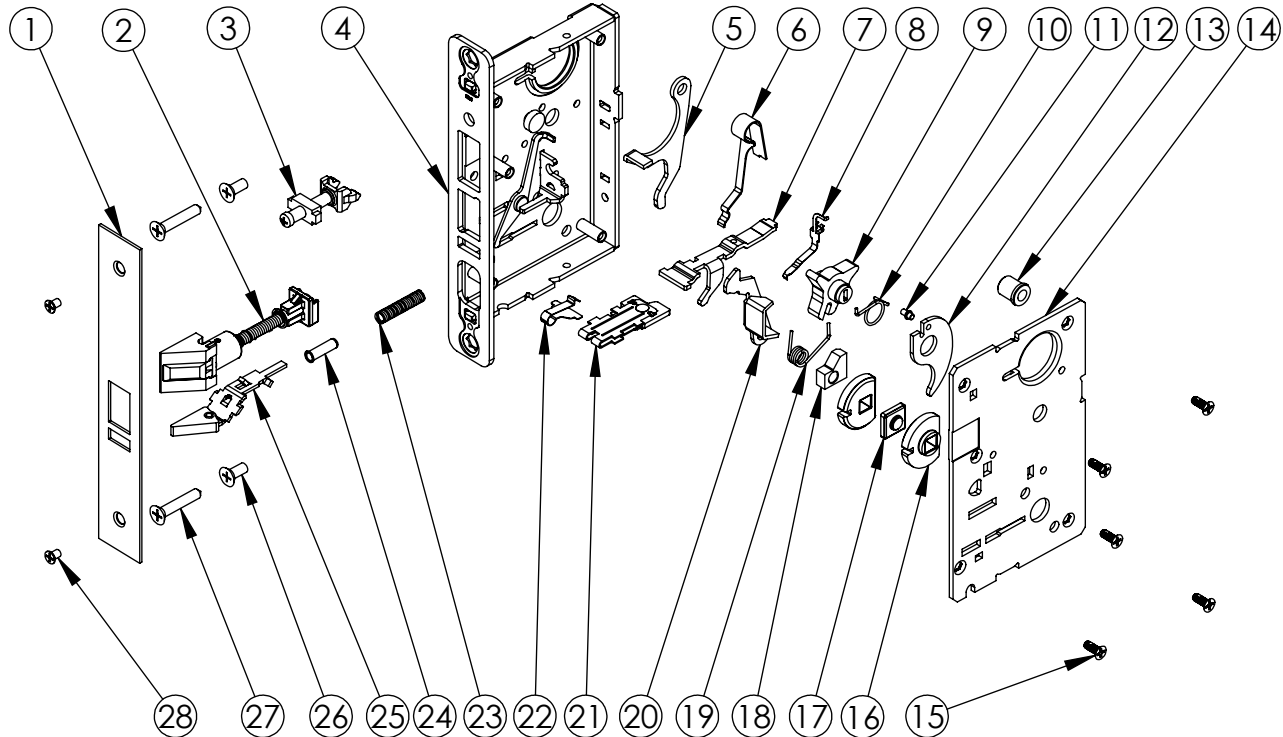
SARGENT
ASSA ABLOY

7867 INSTITUTIONAL PRIVACY

PARTS LIST

PAGE REV.
No. B
78.17

07-2009



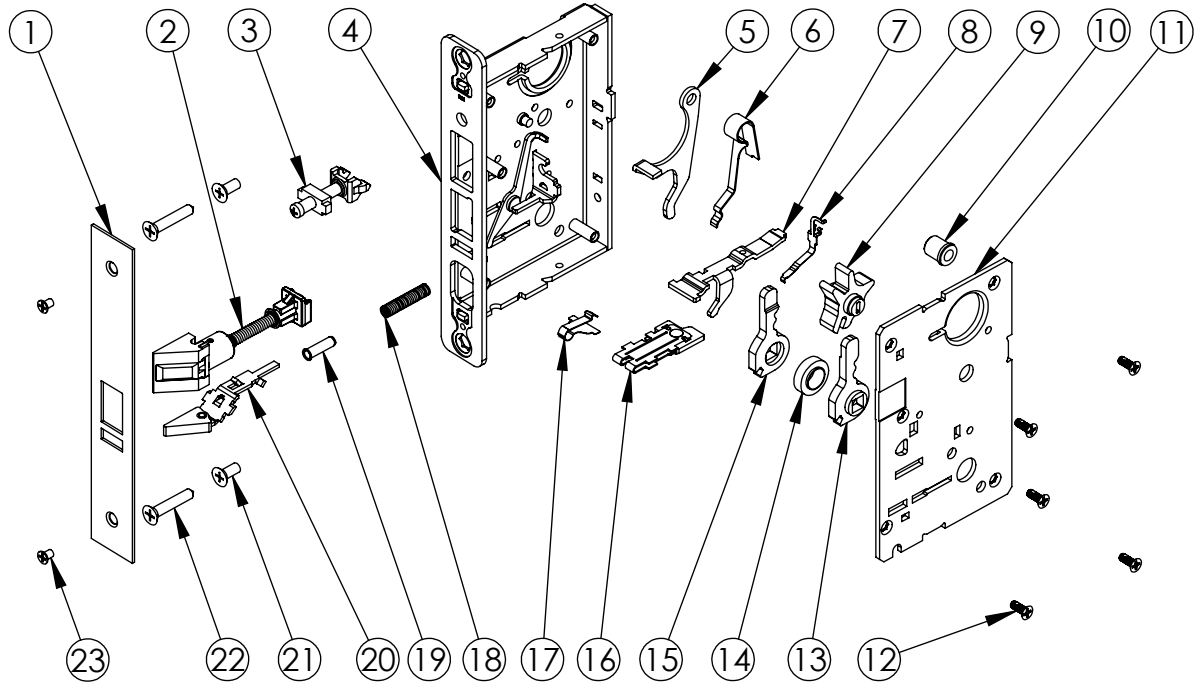
ITEM NO.	PART NUMBER	DESCRIPTION	QTY.
1	82-0424	OUTSIDE FRONT	1
2	82-3655	LATCHBOLT ASSEMBLY	1
3	82-4172	CYLINDER RETAINER	1
4	-----	CASE ASSEMBLY	1
5	82-0139	CYLINDER LATCH LEVER	1
6	82-0161	CLASSROOM SPRING	1
7	82-0103	GUARD LEVER	1
8	82-0138	GUARD LEVER SPRING	1
9	82-0664	HUB-67 FUNCTION	1
10	82-0668	SPRING	1
11	82-0667	SPRING PIN	1
12	82-0171	SPACER (CLASSROOM)	1
13	82-0666	PUSH LEVER (67 FUNCTION)	1
14	82-0024	CAP, MORTISE LOCK	1
15	01-4402	MACHINE SCREW (#8-32 x 5/16")	5
16	78-0008	NON-HANDED HUB	2
17	78-0009	NON-HANDED HUB SPACER	1
18	78-0286	SPACER STOP	1
19	77-1060	LATCH LEVER SPRING	1
20	78-0007	LATCH LEVER	1
21	82-3092	LOCKING PIECE ASSEMBLY	1
22	82-0102	TOGGLE SPRING	1
23	82-0393	GUARD BOLT SPRING	1
24	82-0392	SPRING GUIDE EYELET	1
25	82-2029	GUARD BOLT ASSEMBLY	1
26	01-1019	MACHINE SCREW (#12-24 x 1/2")	2
27	01-2299	WOOD SCREW (#12 x 1-1/4")	2
28	01-1028	MACHINE SCREW (#8-32 x 1/4")	2

7892 ALL PURPOSE HOLDBACK

PARTS LIST

PAGE No. 78.18
REV. B

07-2009



ITEM NO.	PART NUMBER	DESCRIPTION	QTY.
1	82-0424	OUTSIDE FRONT	1
2	82-3655	LATCHBOLT ASSEMBLY	1
3	82-4172	CYLINDER RETAINER	1
4	-----	CASE ASSEMBLY	1
5	82-0139	CYLINDER LATCH LEVER	1
6	82-0161	CLASSROOM SPRING	1
7	82-0103	GUARD LEVER	1
8	82-0138	GUARD LEVER SPRING	1
9	82-0465	HUB	1
10	82-0171	SPACER (CLASSROOM)	1
11	82-0024	CAP, MORTISE LOCK	1
12	01-4402	MACHINE SCREW (#8-32 x 5/16")	5
13	82-0123	HUB (CAP, 92 FUNCTION)	1
14	78-0140	SPACER - HUB T HANDLE	1
15	82-0124	HUB (CASE, 92 FUNCTION)	1
16	82-3092	LOCKING PIECE ASSEMBLY	1
17	82-0102	TOGGLE SPRING	1
18	82-0393	GUARD BOLT SPRING	1
19	82-0392	SPRING GUIDE EYELET	1
20	82-2029	GUARD BOLT ASSEMBLY	1
21	01-1019	MACHINE SCREW (#12-24 x 1/2")	2
22	01-2299	WOOD SCREW (#12 x 1-1/4")	2
23	01-1028	MACHINE SCREW (#8-32 x 1/4")	2

© SARGENT Manufacturing Company. All Rights reserved.

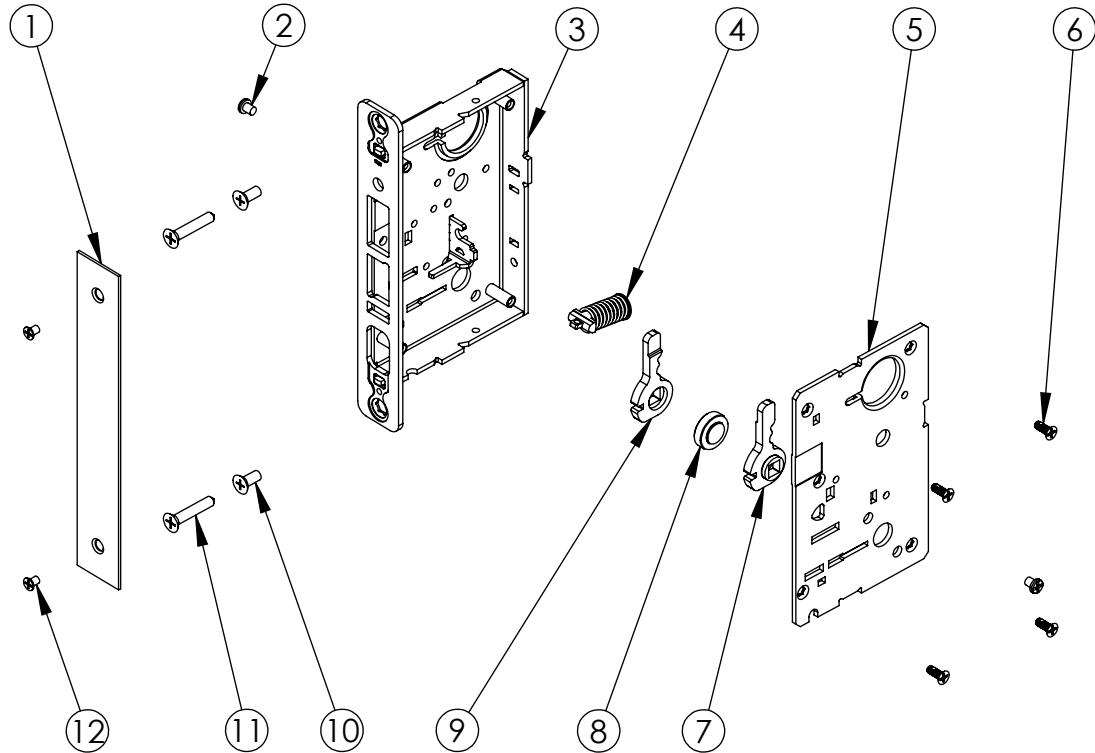
SARGENT
ASSA ABLOY

7895 DUMMY LOCK
7896 DUMMY LOCK
7897 DUMMY LOCK

PARTS LIST

PAGE REV.
 No. B
 78.19

07-2009



ITEM NO.	PART NUMBER	DESCRIPTION	QTY.
1	82-0431	OUTSIDE FRONT	1
2	01-9180	CATCH SCREW	2
3	-----	CASE ASSEMBLY	1
4	82-2004	SPRING CARTRIDGE ASSEMBLY	1
5	82-0024	CAP, MORTISE LOCK	1
6	01-4402	MACHINE SCREW (#8-32 x 5/16")	4
7	82-0422	CAP HUB	1
8	82-0120	SPACER (HUB)	1
9	82-0421	CASE HUB	1
10	01-1019	MACHINE SCREW (#12-24 x 1/2")	2
11	01-2299	WOOD SCREW (#12 x 1-1/4")	2
12	01-1028	MACHINE SCREW (#8-32 x 1/4")	2

© SARGENT Manufacturing Company. All Rights reserved.

SARGENT®
ASSA ABLOY