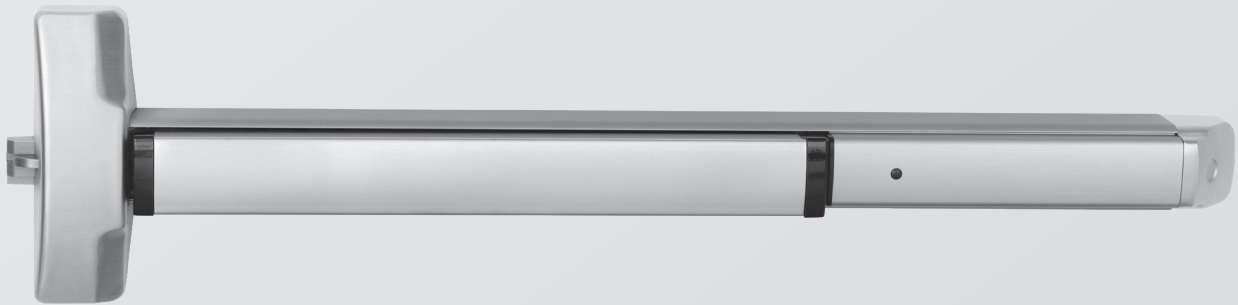


ACCENTRA

ASSA ABLOY

6000 Series

Commercial Exit Devices Parts Manual



Experience a safer
and more open world

 **WARNING**

This product can expose you to lead which is known to the state of California to cause cancer and birth defects or other reproductive harm. For more information go to www.P65warnings.ca.gov.

Table of Contents

Introduction

Installation Notes.....	3
How to Order Parts	3
Finish Chart	3

Exit Devices

6100(F) / 6200 Rim.....	4
6150(F) / 6250 Rim Squarebolt®.....	5
6210 Surface Vertical Rod.....	6-7
6170(F) Surface Vertical Rod	8-9
6170(F) LBR Surface Vertical Rod (Less Bottom Rod).....	10-11
6220 Concealed Vertical Rod.....	12-13
6160(F) Concealed Vertical Rod.....	14-15
6160(F) LBR Concealed Vertical Rod (Less Bottom Rod).....	16-17
6130(F) Mortise	18-19
620DB Rigid Bar	20-21
Touch Bar	22-23

Trim

626F, 628F, 629F Trim.....	24-25
627F Trim.....	26-27
656F, 658F Trim.....	28-29
620F Trim.....	30-31
633F, 635F Trim.....	32-33
673F, 675F Trim	34-35
632F, 634F, 662F Trim	36-37
420F, 421F Trim.....	38-39
426F, 428F, 429F Trim.....	40-41
427F Trim	42-43
480F, 481F, 482F, 483F Trim	44-45
506F, 508F, 509F Trim.....	46-47
500F, 501F Trim.....	48-49
441F, 446F, 448F, 449F Trim	50-51
541F, 546F, 548F, 549F Trim	52-53

Trim Designs for Escutcheons	54-55
---	--------------

Cylinders	56
------------------------	-----------

Strikes.....	57
---------------------	-----------

Accessories.....	58-59
-------------------------	--------------

Mullions.....	60
----------------------	-----------

Handing Instructions.....	61-62
----------------------------------	--------------

Surface Vertical Rod Devices	63
---	-----------

Concealed Vertical Rod Devices	64
---	-----------

Troubleshooting.....	65
-----------------------------	-----------

Introduction

INSTALLATION NOTES

1. Any retrofit or other field modification to a fire rated opening can potentially impact the fire rating of the opening, and ASSA ABLOY ACCENTRA™ Locks & Hardware makes no representations or warranties concerning what such impact may be in any specific situation. When retrofitting any portion of an existing fire rated opening, or specifying and installing a new fire rated opening, please consult with a code specialist or local code official (Authority Having Jurisdiction) to ensure compliance with all applicable codes and ratings.
2. Refer to the templates and installation instructions for complete door preparation and installation requirements.
3. Machine screws are provided for steel reinforced doors, threaded-to-the-head AB Type screws are provided for wood door applications. In addition, sex nuts and bolts are provided for fire rated devices and are optional for non-rated devices. It is recommended that sex nuts and bolts be used for all exit device applications. This will improve the performance and extend the life of the product.

HOW TO ORDER PARTS

To order parts, provide the appropriate quantity, part number, finish, hand (when required) and description as directed and illustrated below.

For example, use the following configuration to order:

A) ten escutcheon assemblies in satin chrome

B) one surface vertical rod latch cover in bright brass

	Quantity	Part Number	Finish	Hand	Description
A	10	60-7000-0612-FIN	630	–	Escutcheon Assemblies
B	1	60-7010-X040-FIN	605	–	Top Latch Cover

For assistance, contact your authorized ASSA ABLOY distributor, sales agency or visit our website at www.ASSAABLOY.com.

FINISHES

ANSI/BHMA Code	Finish Description
605	Bright Brass, Clear Coated
606	Satin Brass, Clear Coated
613E	Dark Oxidized Satin Bronze, Oil Rubbed ¹
629	Bright Stainless Steel
630	Satin Stainless Steel

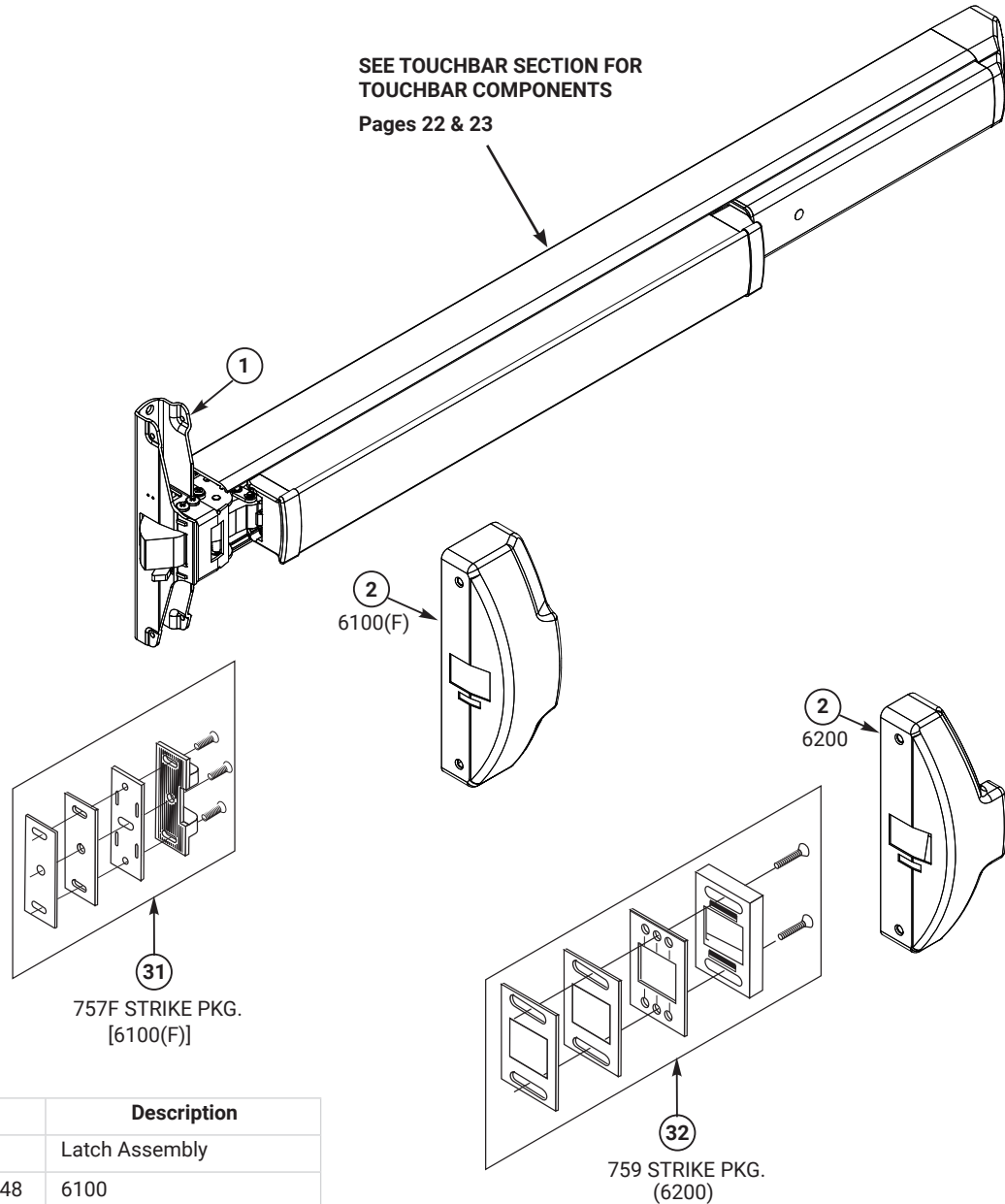
1. New May 1, 2010

MicroShield®

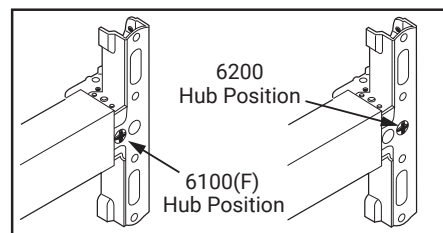
MicroShield® Finish available with MicroShield® antimicrobial coating, additional finishes by special application. Consult factory for availability.

6100(F)/6200 Rim Exit Device

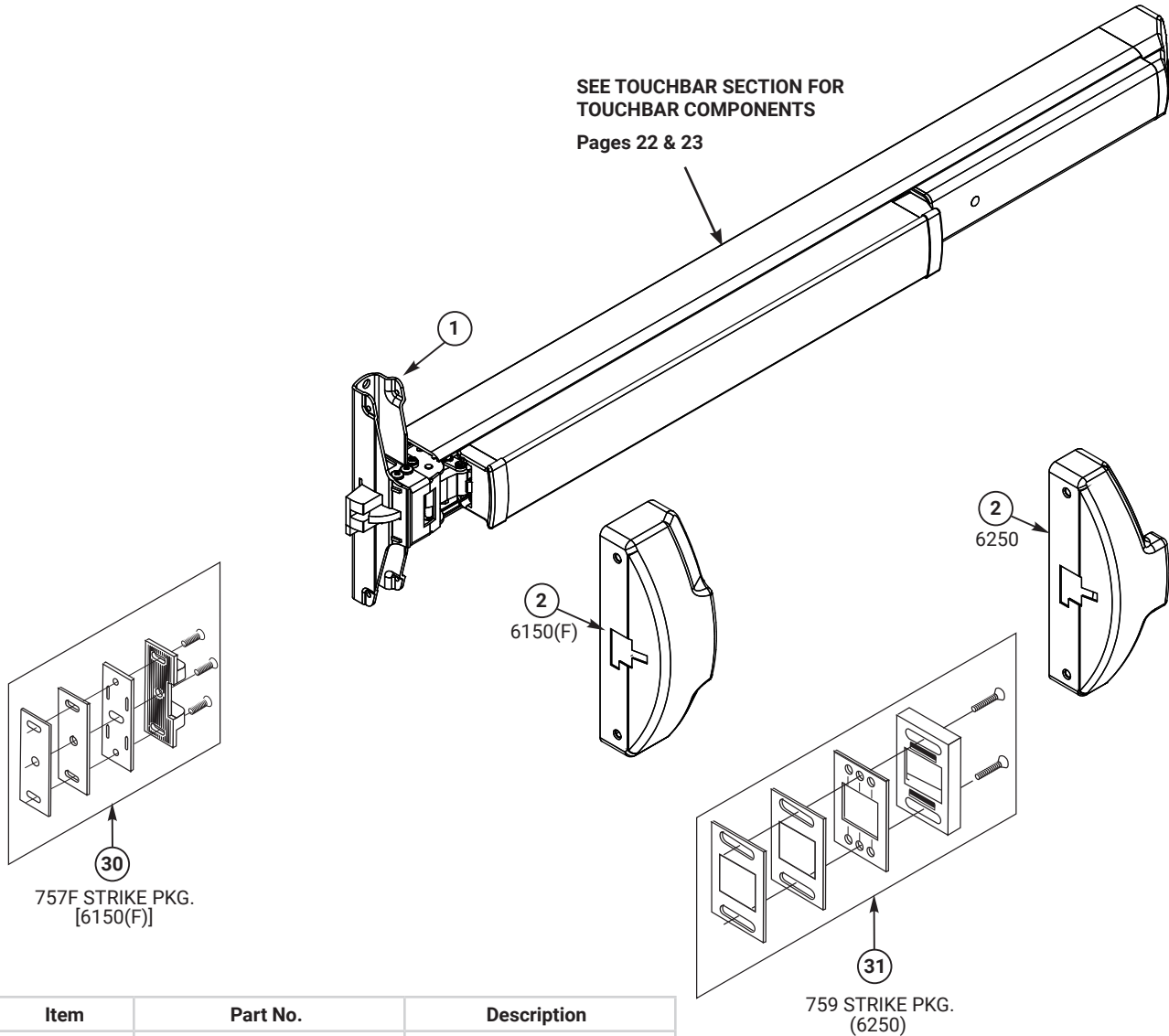
SEE TOUCHBAR SECTION FOR
TOUCHBAR COMPONENTS
Pages 22 & 23



Item	Part No.	Description
1		Latch Assembly
	60-6000-0419-048	6100
	60-6000-0425-048	6100F
	60-6200-0354-048	6200
2		Cover
	60-6000-X024-FIN	6100
	Not Available	6100F
	60-6000-X023-FIN	6200
31	81-9800-0001-999	757F Strike Packet 6100(F)
32	81-9500-1357-200	759 Strike Packet 6200

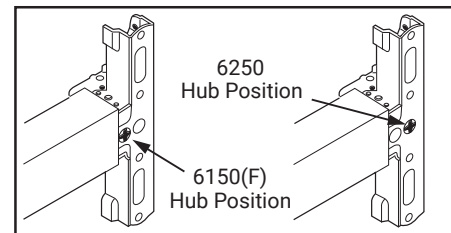


6150(F)/6250 Rim Squarebolt® Exit Device



Item	Part No.	Description
1	60-6150-0005-048	Latch Assembly 6150, 6150F
	60-6250-0001-048	6250
2	60-6150-X034-FIN	Cover 6150
	Not Available	6150F
	60-6000-X033-FIN	6250
30	81-9800-0001-999	757F Strike Packet 6150(F)
31	81-9500-1357-200	759 Strike Packet 6250

Difference in Latch Assemblies

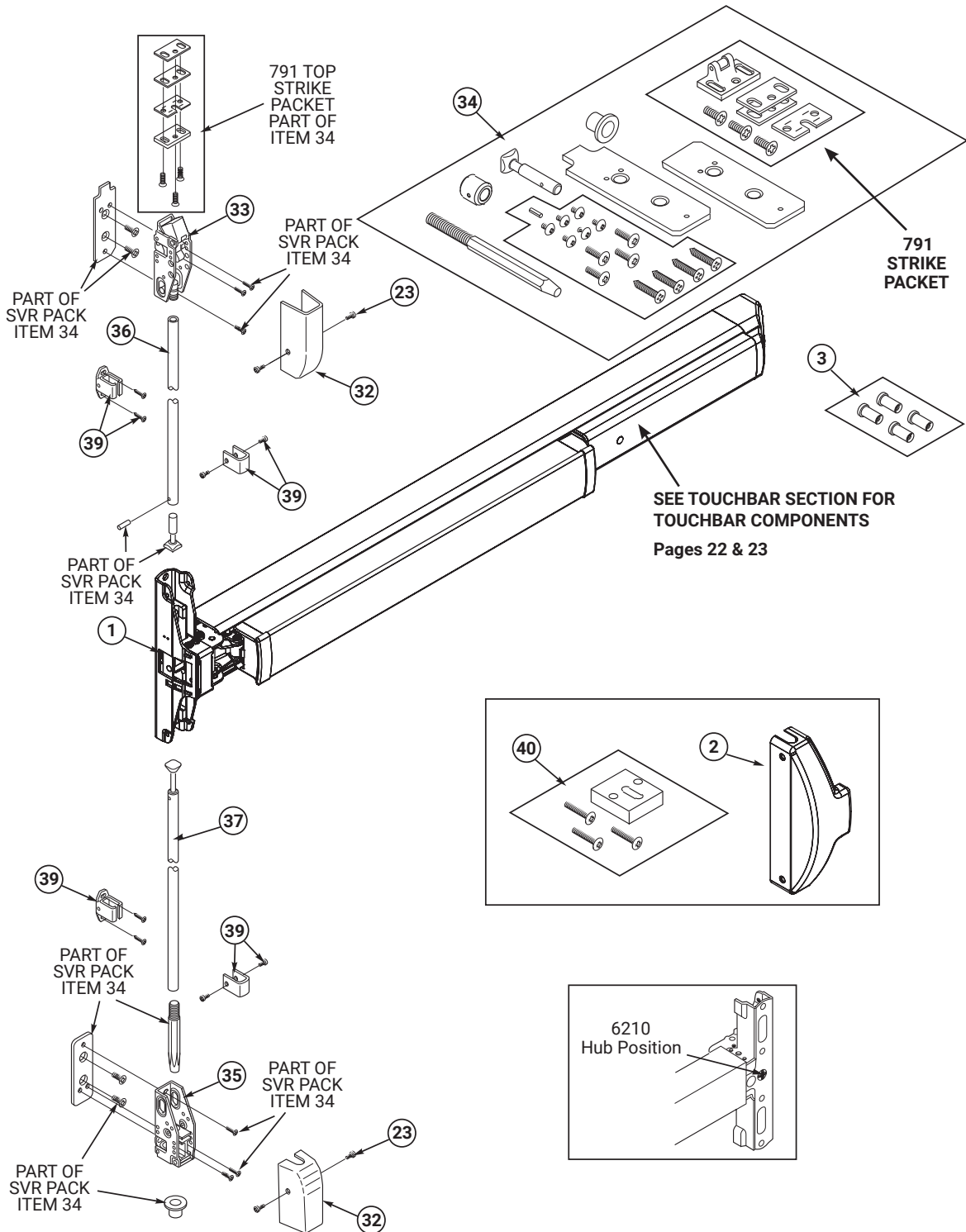


6210 Surface Vertical Rod

Item	Part No.	Description
1	60-6210-0354-048 LH	Latch Assembly
	60-6210-0364-048 RH	6210
2	60-6000-X013-FIN	Cover
		6210
3	03-0080-5047-FIN	Sex Nut Pack (4) (Fire Rated Only)
23	81-9500-1549-FIN	Screw Packet, Cover #8-32 x 5/16" UFPHMS (5)
32	60-7010-X040-FIN	Cover, Top & Bottom Latches (2)
33	60-7010-0049-999	Top Latch
		6210

Item	Part No.	Description
34	81-9500-1512-000	SVR Pack
		Consists of the following:
	60-7010-1038-048	Top Mtg. Plate
	60-7010-1039-048	Bottom Mtg. Plate
	60-7010-1067-048	Top Rod Connector
	99-9999-4308-999	Rod Connecting Pin (2)
	60-7000-1150-999	Drill Jig
	60-7010-1070-018	Floor Bolt
	60-7010-1055-200	Strike
	81-9500-1546-000	Latch Mounting Screw Packet
35	60-7010-0054-000	Bottom Bolt Case
		6210
36	60-7010-X052-FIN	Top Rod
37	60-7010-0020-FIN	Bottom Rod Assembly
39	81-9500-1514-FIN	Rod Guide Packet
		Consists of the following:
	60-7010-9050-999	Guide, Rod (1)
	60-7010-X051-FIN	Cover, Rod Guide (1)
	81-3110-0412-058	Screw, #8 x 1/2 RHPSM (2)
	81-3115-0308-FIN	Screw, Rod Guide Cover
40	81-0011-0404-FIN	Screw, #8-32 x 1/4 FPHMS (2)
		81-9500-1464-200

6210 Surface Vertical Rod

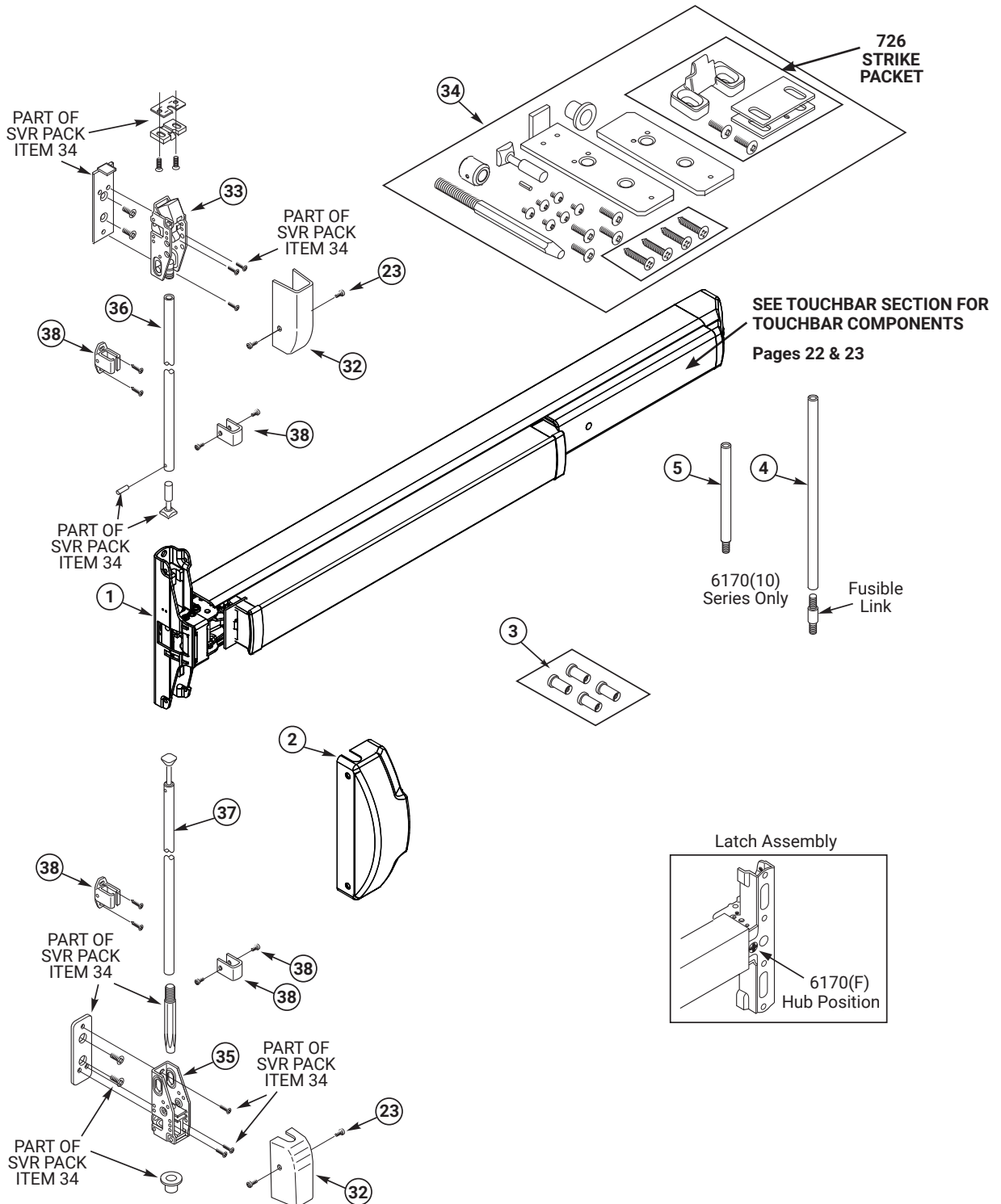


6170(F) Surface Vertical Rod

Item	Part No.	Description
1		Latch Assembly
	60-6010-0360-048 LH 60-6010-0365-048 RH	6170, 6170F
2		Cover
	60-6000-X014-FIN	6170
	Not Available	6170F
3	03-0080-5047-FIN	Sex Nut Pack (4) (Fire Rated Only)
4	60-1510-0281-FIN	Rod Extension Assy., 24" (-10 Device Only)
5	60-1510-0278-FIN	Rod Extension Assy., 12" (-10 Device Only)
23	81-9500-1549-FIN	Screw Packet, Cover #8-32 x 5/16" UFPHMS (5)
32	60-7010-X040-FIN	Cover, Top & Bottom Latches (2)
33		Top Latch
	60-7010-0049-999	6170
	60-7010-0050-999	6170F
34	81-9500-1610-000	SVR Pack
		Consists of the following:
	60-7110-1005-048	Top Mtg. Plate
	60-7010-1039-048	Bottom Mtg. Plate
	60-7010-1067-048	Top Rod Connector
	99-9999-4308-999	Rod Connecting Pin (2)
	60-7000-1150-999	Drill Jig
	60-7010-1070-018	Floor Bolt
	60-7010-1055-200	Strike
	81-9500-1546-000	Latch Mounting Screw Pack
81-9500-1576-000	726 Top Strike Packet	

Item	Part No.	Description
35		Bottom Bolt Case
	60-7010-0054-000	6170
	60-7010-0053-000	6170F
36	60-7010-X052-FIN	Top Rod
37	60-7010-0020-FIN	Bottom Rod Assembly
38	81-9500-1514-FIN	Rod Guide Packet
		Consists of the following:
	60-7010-9050-999	Guide, Rod (1)
	60-7010-X051-FIN	Cover, Rod Guide (1)
	81-3110-0412-058	Screw, #8 x 1/2 RPHMS (2)
	81-3115-0308-FIN	Screw, Rod Guide Cover
	81-0011-0404-FIN	Screw, #8-32 x 1/4 FPHMS (2)

6170(F) Surface Vertical Rod

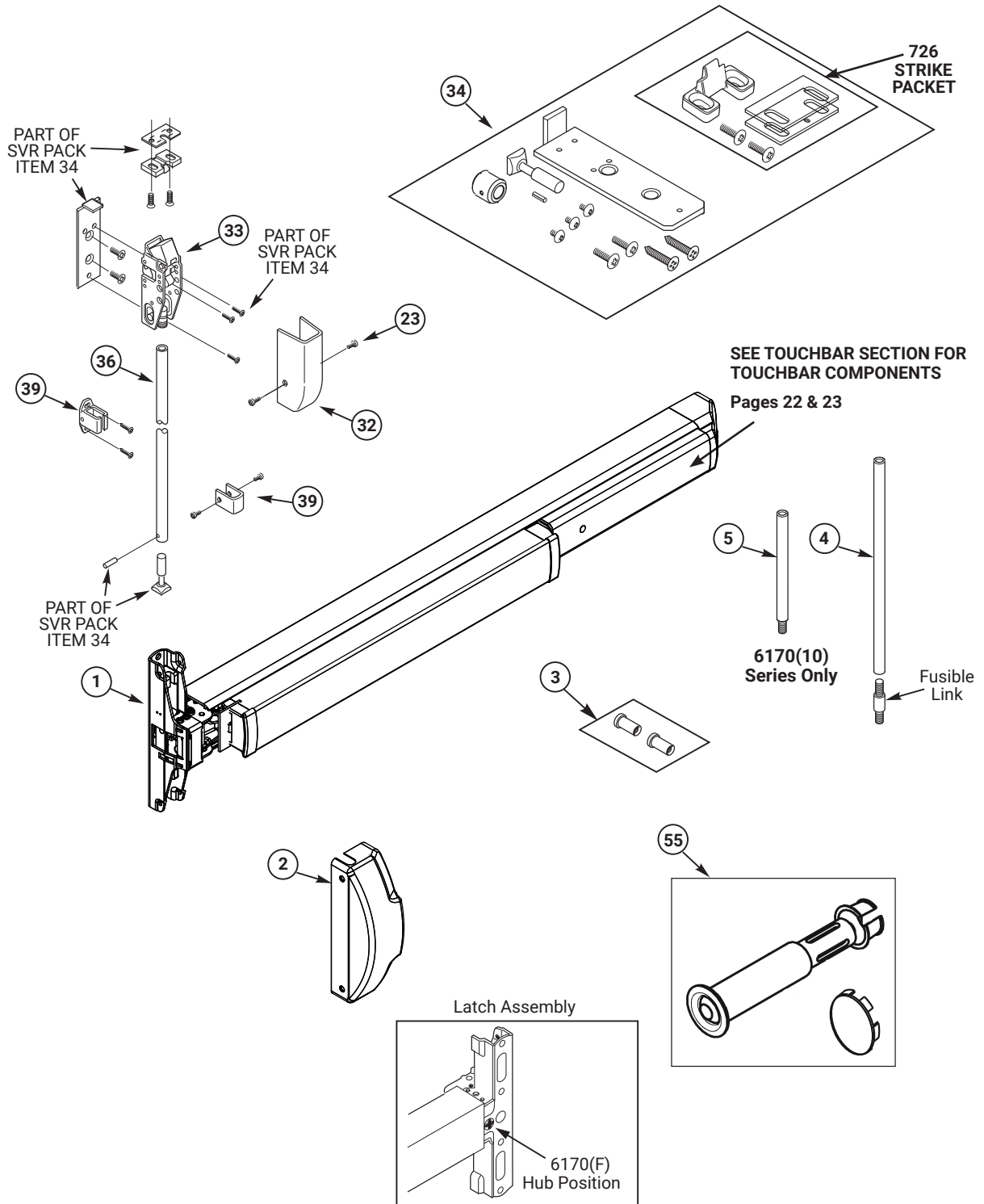


6170(F) LBR Surface Vertical Rod (Less Bottom Rod)

Item	Part No.	Description
1		Latch Assembly
	60-6010-0360-048 LH 60-6010-0365-048 RH	6170, 6170F
2		Cover
	60-6000-X014-FIN	6170
	Not Available	6170F
3	03-0080-5047-FIN	Sex Nut Pack (4) (Fire Rated Only)
4	60-1510-0281-FIN	Rod Extension Assy., 24" (-10 Device Only)
5	60-1510-0278-FIN	Rod Extension Assy., 12" (-10 Device Only)
23	81-9500-1549-FIN	Screw Packet, Cover #8-32 x 5/16" UFPHMS (5)
32	60-7010-X040-FIN	Cover, Top & Latch
33	60-7010-0050-999	Top Latch, 6170(F)

Item	Part No.	Description
34	81-9500-1562-000	SVR Pack
		Consists of the following:
	60-7110-1005-048	Top Mtg. Plate
	60-7010-1067-048	Top Rod Connector
	99-9999-4308-999	Rod Connecting Pin (2)
	60-7000-1150-999	Drill Jig
	81-9500-1613-000	Latch Mounting Screw Pack
	81-9500-1576-000	726 Top Strike Packet
36	60-7010-X052-FIN	Top Rod
39	81-9500-1514-FIN	Rod Guide Packet
		Consists of the following:
	60-7010-9050-999	Guide, Rod (1)
	60-7010-X051-FIN	Cover, Rod Guide (1)
	81-3110-0412-058	Screw, #8 x 1/2 (2) RPHMS (4)
	81-3115-0308-FIN	Screw, Rod Guide Cover
55	81-0011-0404-FIN	Screw, #8-32 x 1/4 (2) FPHMS (4)
	60-7110-0002-999	Popper Packet (6170F Only)

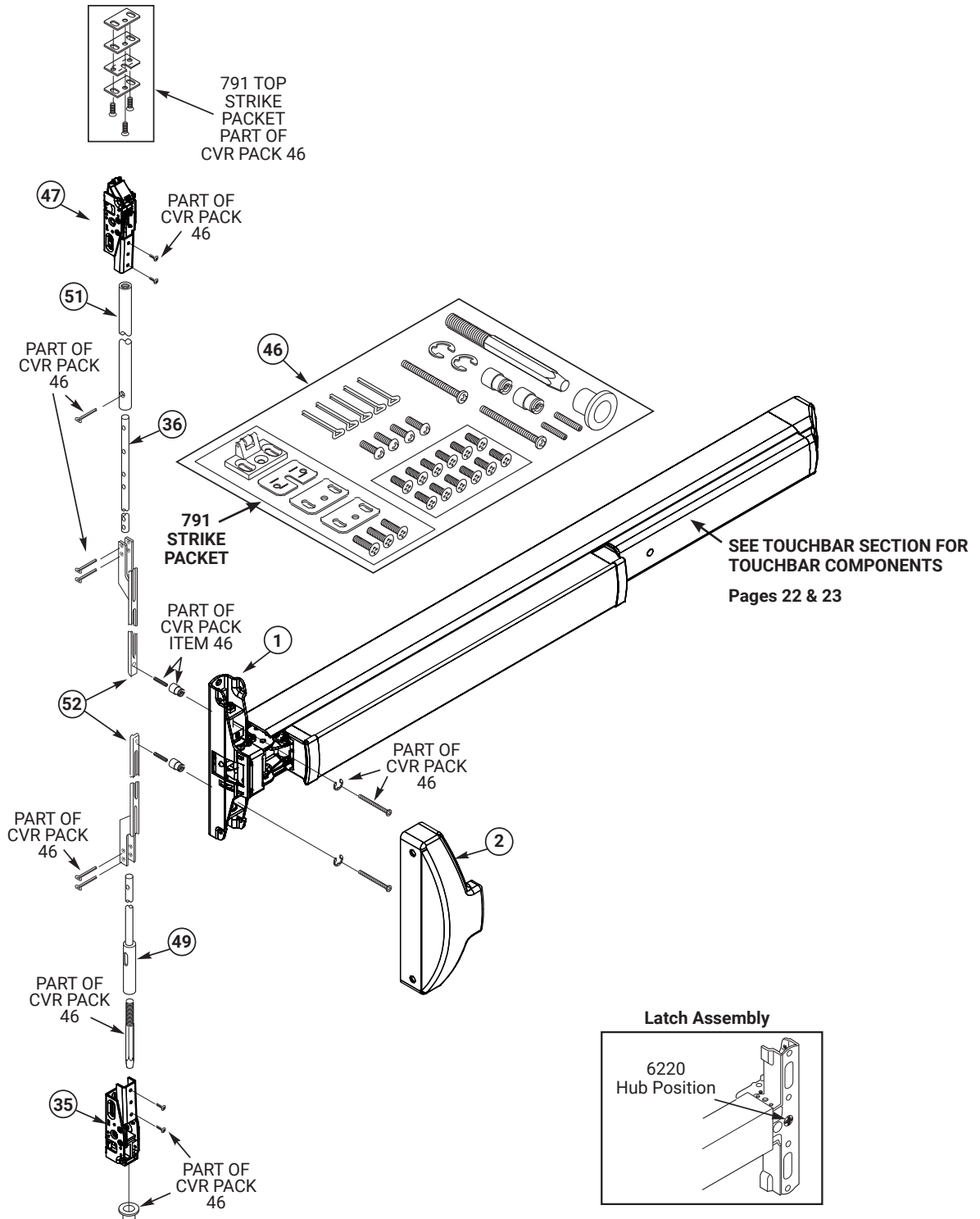
6170(F) LBR Surface Vertical Rod (Less Bottom Rod)



6220 Concealed Vertical Rod

Item	Part No.	Description
1		Latch Case Assembly
	60-6220-0354-048	(Must Specify Hand)
2	60-6000-X003-FIN	Cover, Latch Assembly
35	60-7220-0065-048	Bottom Bolt Case
36	60-7220-1019-059	Top Rod
46	81-9500-1456-000	CVR Pack
		Consists of the following:
	60-7010-1070-018	Floor Bolt
	60-7010-1055-200	Strike
	81-9500-1454-200	791 Top Strike Packet
	60-7120-1047-048	Pin, Rod Yoke (2)
	60-7140-1026-059	Set Screw, Yoke Pin (2)
	60-7020-1064-059	Yoke Pin Shim (2)
	99-9958-0045-999	Cotter Pin (5)
	99-9999-4526-999	Ring, Retaining (2)
	81-0014-0430-036	2" Temp Screw (2)
81-9500-1548-058	Screw Pack	
47	60-7220-0066-048	Top Latch & Bracket Assembly
49	60-7020-0059-000	Bottom Rod & Coupler Assembly
51	60-7220-7025-000	Top Rod Tube
52	60-7220-0030-999	Arm & Bracket Assy (2)

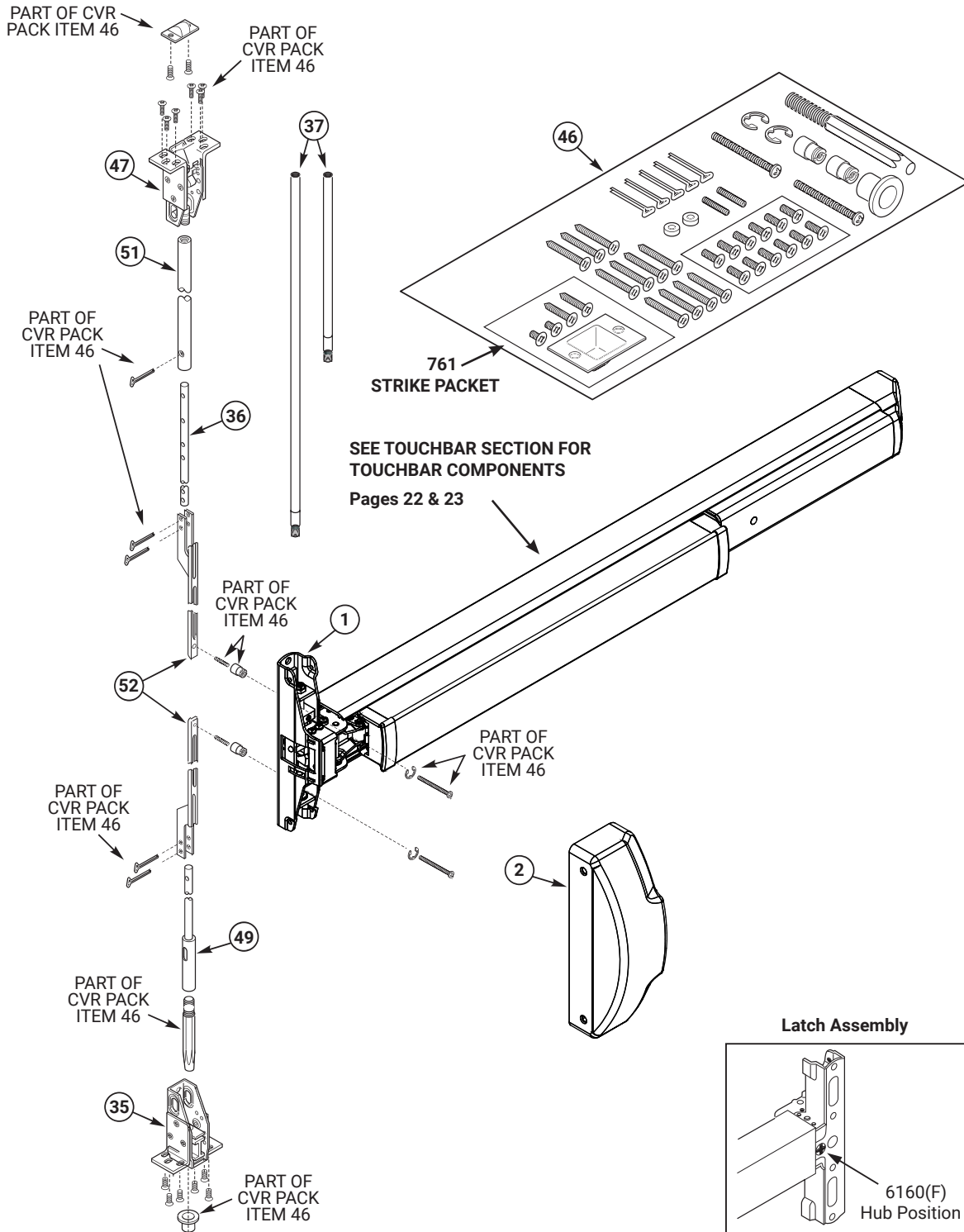
6220 Concealed Vertical Rod



6160(F) Concealed Vertical Rod

Item	Part No.	Description
1		Latch Case Assembly
	60-6020-0360-048 LH 60-6020-0365-048 RH	6160, 6160F
2		Cover, Latch Assembly
	60-6000-X004-FIN	6160
	Not Available	6160F
35	60-7020-0055-048	Bottom Bolt Case, 6160F
36	60-7220-1019-059	Top Rod
37		Rod Extension Assembly
	60-1510-0282-000	12" Rod Assembly
	60-1510-0281-000	24" Rod Assembly
46	81-9500-1581-000	CVR Pack
		Consists of the following:
	60-7010-1070-018	Floor Bolt
	60-7010-1055-200	Strike
	81-9500-1696-000	761 Top Strike Packet
	60-7120-1047-048	Pin, Rod Yoke (2)
	60-7140-1026-059	Set Screw, Yoke Pin (2)
	60-7020-1064-059	Yoke Pin Shim (2)
	60-7000-0217-059	Spindle Assy, 2 to 2-1/2 Door
	99-9958-0045-999	Cotter Pin (5)
	99-9999-4526-999	Ring, Retaining (2)
	81-9500-1580-058	Screw Pack
	81-0014-0430-036	2" Temp Screw (2)
47	60-7160-0060-000	Top Latch & Bracket Assembly, 6160(F)
49	60-7020-0059-000	Bottom Rod & Coupler Assembly
51	60-7220-7025-000	Top Rod Tube
52	60-7220-0030-999	Arm & Bracket Assy. (2)

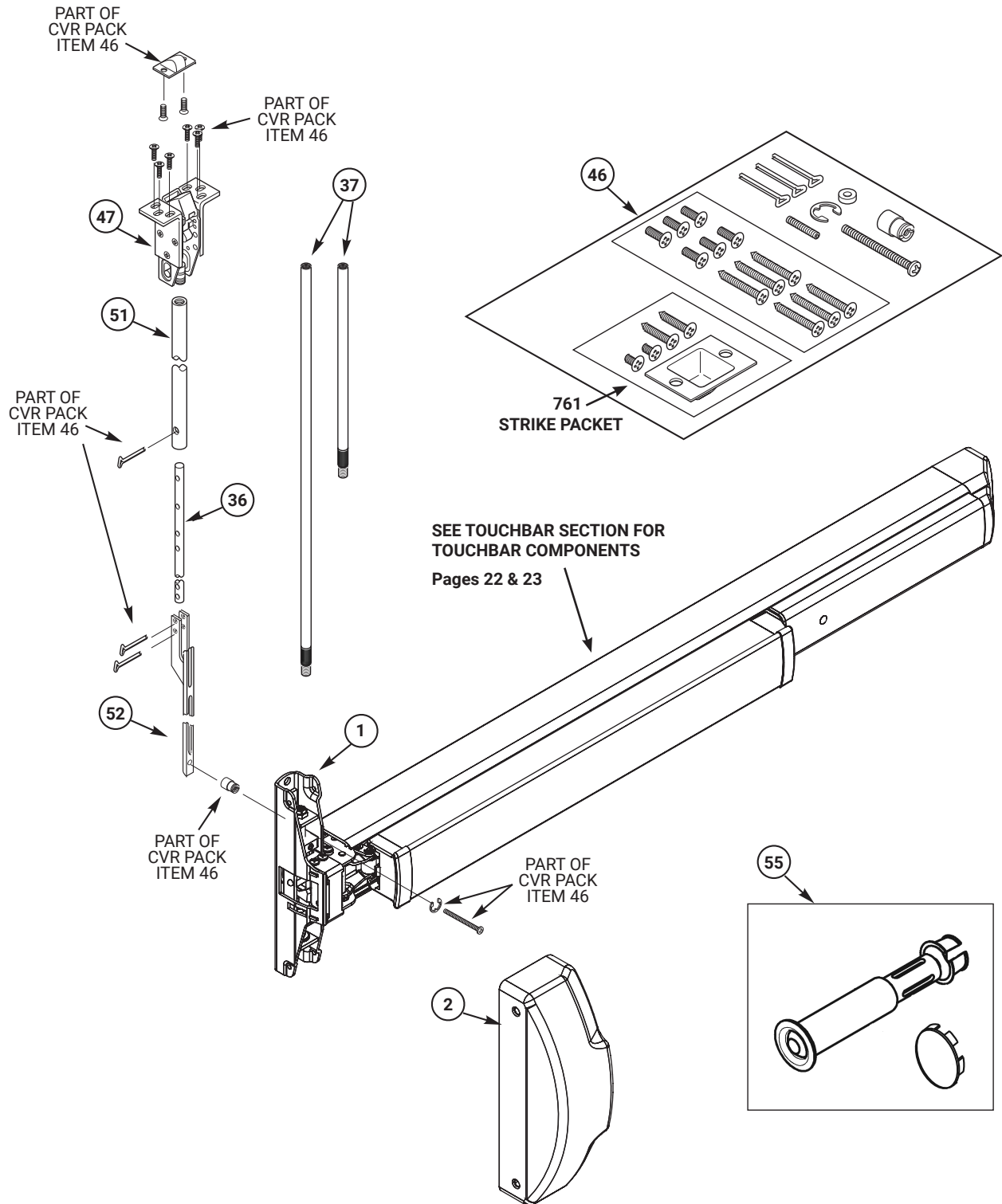
6160(F) Concealed Vertical Rod



6160(F) LBR Concealed Vertical Rod (Less Bottom Rod)

Item	Part No.	Description
1		Latch Case Assembly
	60-6020-0360-048 LH 60-6020-0365-048 RH	6160, 6160F
2		Cover, Latch Assembly
	60-6000-X004-FIN	6160
	Not Available	6160F
36	60-7220-1019-059	Top Rod
37		Rod Extension Assembly
	60-1510-0282-000	12" Rod Assembly
	60-1510-0281-000	24" Rod Assembly
46	81-9500-1605-000	CVR Pack
		Consists of the following:
	81-9500-1696-000	761 Top Strike Packet
	60-7120-1047-048	Pin, Rod Yoke (1)
	60-7140-1026-059	Set Screw, Yoke Pin (1)
	60-7020-1064-059	Yoke Pin Shim (1)
	60-7000-0217-059	Spindle Assy, 2 to 2-1/2 Door
	99-9958-0045-999	Cotter Pin (3)
	99-9999-4526-999	Ring, Retaining (1)
	91-9500-1606-058	Screw Pack (1)
81-0014-0430-036	2" Temp Screw (1)	
47	60-7160-0060-000	Top Latch & Bracket Assembly, 6160(F)
51	60-7220-7025-000	Top Rod Tube
52	60-7220-0030-000	Arm & Bracket Assembly (1)
55	60-7110-0002-999	Popper Pack (Fire Rated Only)

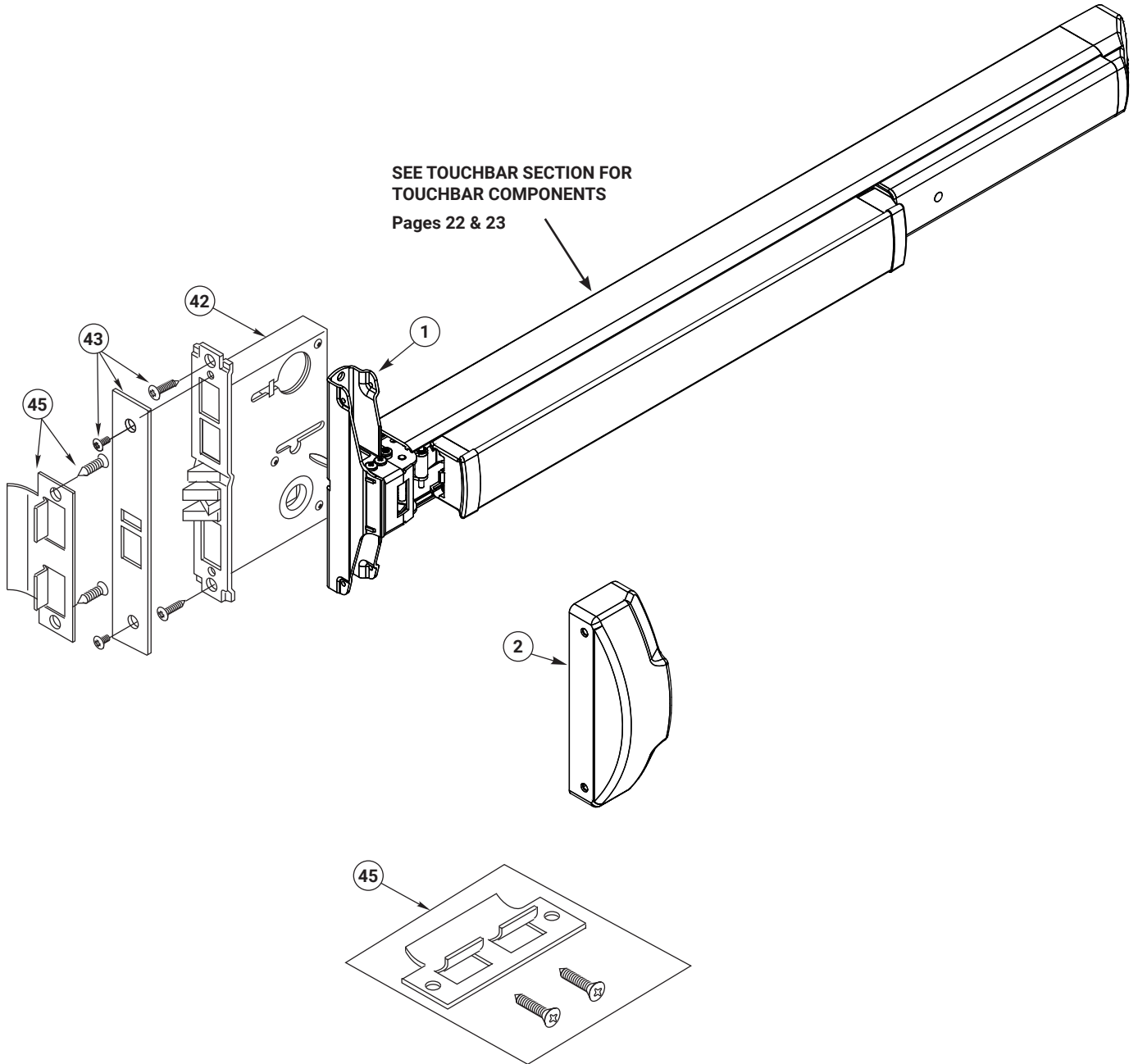
6160(F) LBR Concealed Vertical Rod (Less Bottom Rod)



6130(F) Mortise Exit Device

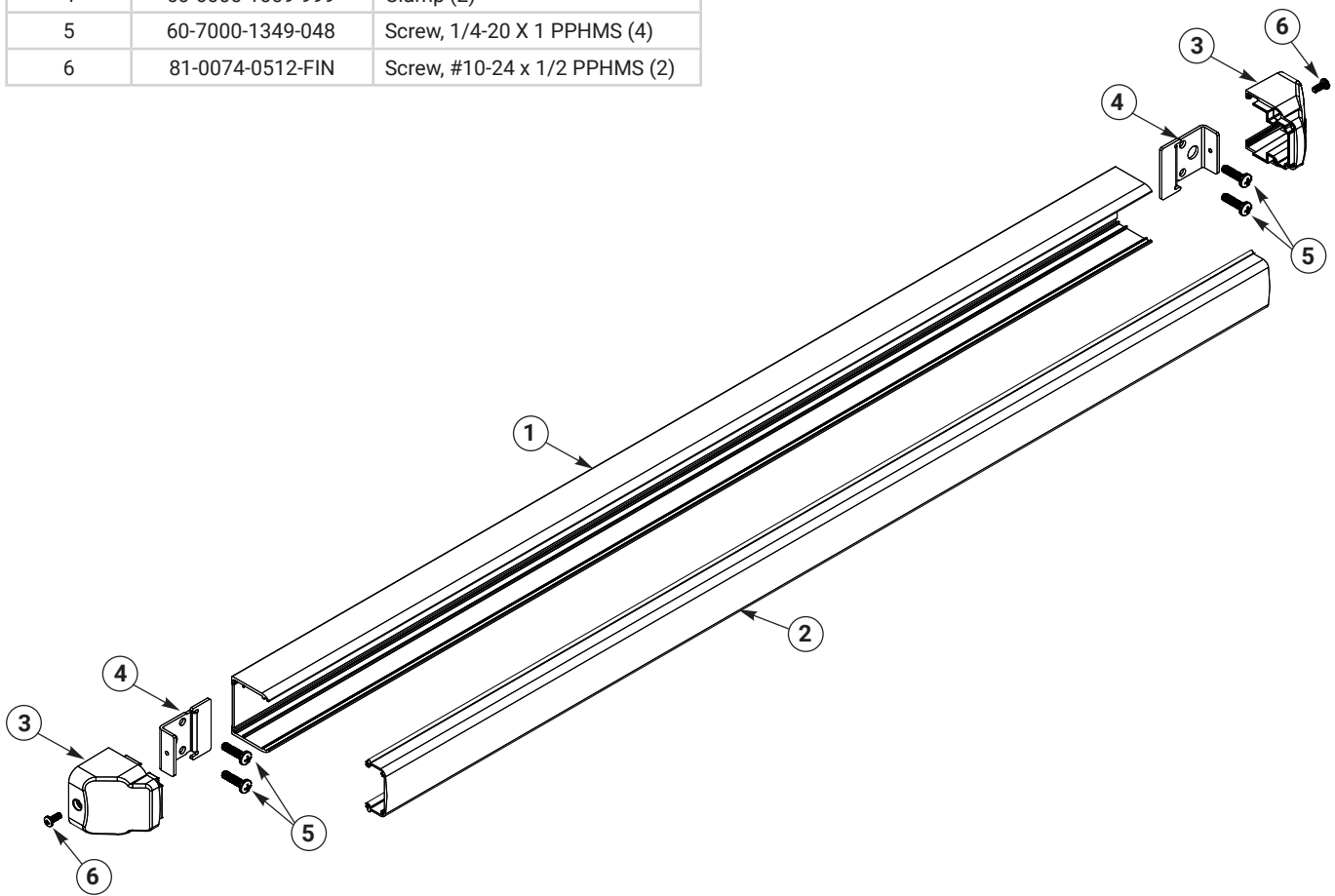
Item	Part No.	Description
1	60-6030-0382-048	Latch Assembly 6130, 6130F
2		Cover
	60-6000-X004-FIN	6130
	Not Available	6130F
42		Mortise Lock Body Specify Hand
	60-6030-0385-048	6130-T8F
	60-6030-0387-048	6130-K5F
	60-6030-0389-048	6130-K8F
	60-6030-0391-048	6130-L5F
	60-6030-0393-048	6130-L8F
43	60-0000-1159-FIN	Armored Front and Mounting Pack
		Consists of the following:
	60-7030-X049-FIN	Armored Front
	81-9400-0036-FIN	Screw Pack
45	81-9500-0562-200	798 Strike Packet

6130(F) Mortise Exit Device



620DB Dummy Pushbar

Item	Part No.	Description
1	60-6000-4003-FIN	Carrier, 48"
2	60-6000-4002-FIN	Cover
3	60-6000-6003-FIN	Device End Cap
4	60-6000-1009-999	Clamp (2)
5	60-7000-1349-048	Screw, 1/4-20 X 1 PPHMS (4)
6	81-0074-0512-FIN	Screw, #10-24 x 1/2 PPHMS (2)



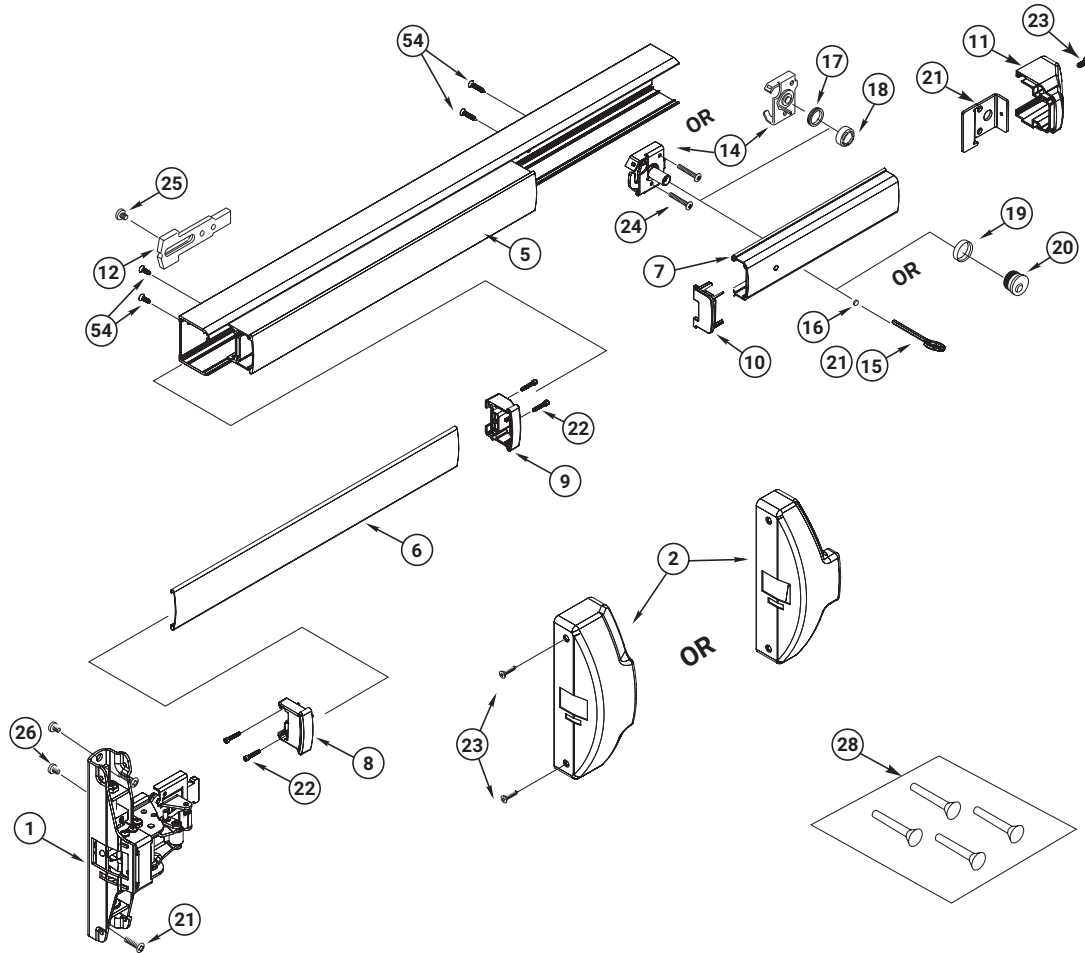
Touchbar

Item	Part No.	Description
1		Latch Case Assembly (Reversible) Specify Hand
	60-6000-0419-048	6100
	60-6000-0425-048	6100F
	60-6200-0354-048	6200
	60-6150-0005-048	6150, 6150F
	60-6250-0001-048	6250
	60-6010-0360-048	6170(F)
	60-6210-0354-048	6210
	60-6020-0360-048	6160(F)
	60-6220-0354-048	6220
	60-6030-0382-048	6130(F) (Includes Trim Slide)
2		*Cover, Latch Assembly
	60-6000-X024-FIN	6100
	60-6000-X023-FIN	6200
	60-6000-X034-FIN	6150
	60-6000-X033-FIN	6250
	60-6000-X014-FIN	6170
	60-6000-X013-FIN	6210
	60-6000-X004-FIN	6160, 6130
	60-6000-X003-FIN	6220
5		Bar & Carrier Assembly
	60-6000-0024-FIN	24"
	60-6000-0002-FIN	36"
	60-6200-0019-FIN	36" Narrow
	60-6000-0020-FIN	42"
	60-6200-0021-FIN	42" Narrow
	60-6000-0022-FIN	48"
	60-6200-0023-FIN	48" Narrow
6		Cover, Bar
	60-6000-X007-FIN	24"
	60-6000-X001-FIN	36"
	60-6000-X005-FIN	42"
	60-6000-X006-FIN	48"

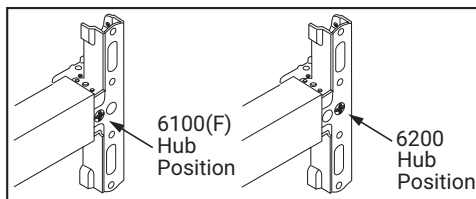
Item	Part No.	Description
7		Cover, End
	60-6000-4015-FIN	24" std
	60-6000-4022-FIN	24" Cylinder Dogging
	60-6000-4016-FIN	36" std
	60-6000-4023-FIN	36" Cylinder Dogging
	60-6000-4017-FIN	42" std
	60-6000-4024-FIN	42" Cylinder Dogging
	60-6000-4018-FIN	48" std
	60-6000-4025-FIN	48" Cylinder Dogging
8	60-6000-6002-200	Touch Pad Cap, Front
9	60-6000-6001-200	Touch Pad Cap, Rear
10	60-6000-9001-999	Bar Cap, Black Nylon
11	60-6000-6003-XXX	End Cap
12	60-6000-9008-999	Trim Slide (All except Mortise)
	60-6000-1059-048	Trim Slide (Mortise)
14		Dogging Assembly
	60-6000-0010-999	Standard Hex Key Dog.
	60-6000-0011-999	Cylinder, Dogging
15	60-7000-1131-036	Dogging Key (5/32" hex)
16	99-9999-4123-999	Dogging Hole Plug
17	60-7000-2421-000	Cylinder Nut
18	60-2000-9153-999	Cylinder Spacer Sleeve
19		Collar, Dogging Cylinder
	None Required	1-1/8" Cylinder
	60-6765-X001-FIN	1-1/4" Cylinder
	60-6765-X002-FIN	1-3/8" Cylinder
	60-6765-X013-FIN	1-1/2" Cylinder
	60-6765-X018-FIN	1-11/16" Cylinder
20	As Ordered	Dogging Cylinder (Mortise)
21		End Clamp Packet
	81-9500-6000-999	RIM, CVR, SVR
	81-9500-6001-999	RIM, CVR, SVR (F)
	81-9500-6002-999	6150
	81-9500-6003-999	6150(F)

*Covers which bare the UL Listing mark for Fire-Rating cannot be shipped with that marking. Therefore, covers for Fire-Rated Latch Case Assemblies are not available.

Touchbar



Latch Assemblies



Item	Part No.	Description
22	81-3510-4750-999	Screw, Touch Bar Caps, Torx Cap #6-32 x 3/4 (4)
23	81-9500-1545-FIN	Screw Packet, Cover
24	81-3571-0418-999	Screw, Dogging Assy., #8-x 7/8 PH FL Self Tap (2)
25	60-6000-1036-048	Trim Slide Retainer
26	81-3571-0412-999	Screw, Latch Head to Carrier, #8-18 x 1/2 PH FL Self Tap (2)
28	03-0080-5047-FIN	Sex Nut Packet (4) Fire-rated Devices incl.
54	99-9999-4941-FIN	Pop Rivet, 3/16"

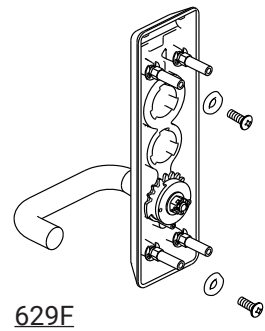
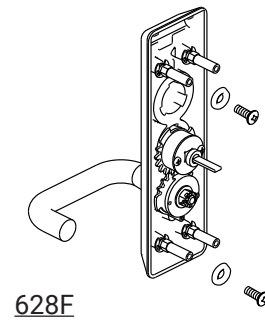
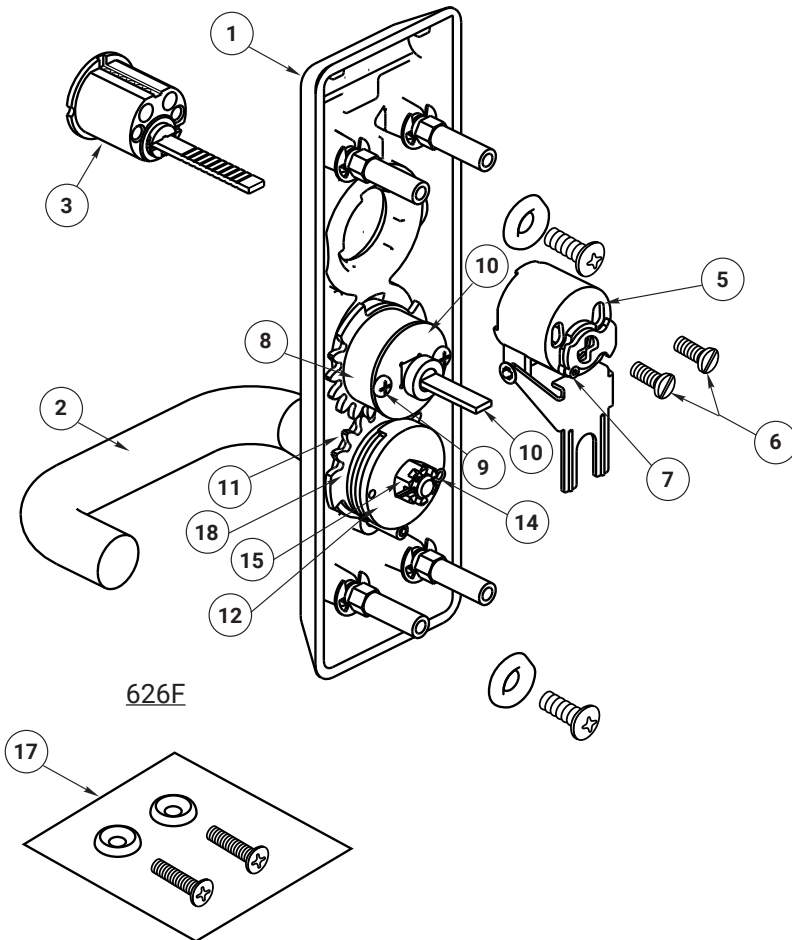
626F, 628F, 629F Trim

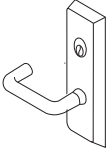
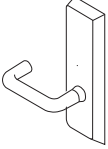
Item	Part No.	Description
1		Escutcheon Assembly
	60-7000-0612-FIN	626F
	60-7000-0615-FIN	628F, 629F
2	See Charts pages 54-55	Lever Assembly.
3	See Chart page 56	Cylinder, Rim*
5	60-7000-0215-000	Housing & Cam Assy.
6	60-7000-1235-048	Screw, Cylinder Mounting (2)
7	81-0016-2200-999	Screw, NL
8	60-7000-9002-999	Driver Gear Assembly
9	81-4414-0308-036	Screw, Tailpiece Plate, #6 x 3/8", PHT-T-PH (2)
10		Tailpiece Assembly
	60-7000-0611-059	1-3/4" Door Without Shim Kit
	60-7000-0213-059	2" - 2-1/4" Door or Std. Door with Shim Kit
11		Gear, Drive
	60-7000-1328-048	Lever (626F, 628F)
	60-7000-1011-059	Rigid Lever (629F)

Item	Part No.	Description
12	60-7000-6220-999	Universal Spring Hub, Lever
14	99-9958-0047-999	Cotter Pin
15	99-9999-3516-999	Nut, Spindle
16	60-7000-9001-999	Thimble Insert, Nylon (Levers) Not Shown
17	81-9500-1476-FIN	Screw Packet, Mtg.
		Consists of the following:
	81-0013-0670-FIN	Screw, 1/4-20 x 1 OPHMS (2)
18	99-9999-7156-FIN	Washer, #14 Finish (2)
		Spring, Grip Return
	60-7000-1220-999	Levers, Universal Spring
19	60-7000-1306-999	Spring Not Shown Under Tailpiece
20	60-7000-1365-999	Hex Nut / Bushing for Spring Not Shown
21	60-7000-1236-059	Washer Under Tailpiece (2) Not Shown

*See page 56 for cylinder collar applications.

626F, 628F, 629F Trim



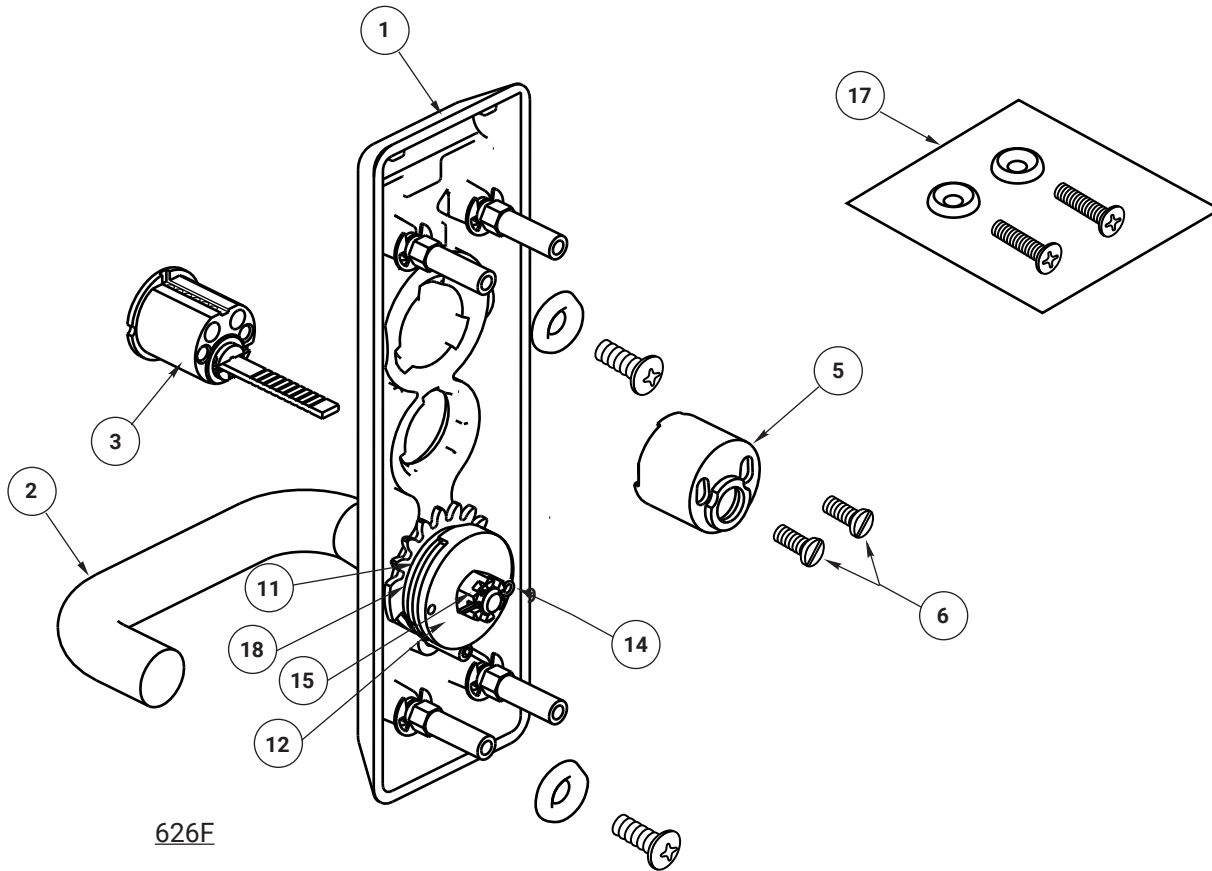
					
	Cylinder Controls Lever	Access by Key and Lever	Active Lever (Passage)	Free Wheeling Lever (DT)	(DT) Rigid Lever
ANSI #	08	09	14	02	02
Trim	626F	626F	628F	628F	629F

627F Trim

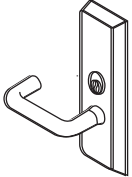
Item	Part No.	Description
1	60-7000-0705-FIN	Escutcheon Assembly
2	See Charts pages 54-55	Lever
3	See Chart page 56	Cylinder, Rim*
5	60-2000-6206-082	Housing, Cylinder
6	60-7000-1235-048	Screw, Cylinder Mounting (2)
11	60-7000-1328-048	Gear, Drive
12	60-7000-6220-999	Universal Spring Hub, Lever
14	99-9958-0047-999	Cotter Pin
15	99-9999-3516-999	Nut, Spindle
16	60-7000-9001-999	Thimble Insert, Nylon
		(Levers) Not Shown
17	81-9500-1476-FIN	Screw Packet, Mtg.
		Consists of the following:
	81-0013-0670-FIN	Screw, 1/4-20 x 1 OPHMS (2)
	99-9999-7156-FIN	Washer, #14 Finish (2)
18		Spring, Grip Return
	60-7000-1220-999	Levers, Universal Spring

*See page 56 for cylinder collar applications.

627F Trim



626F

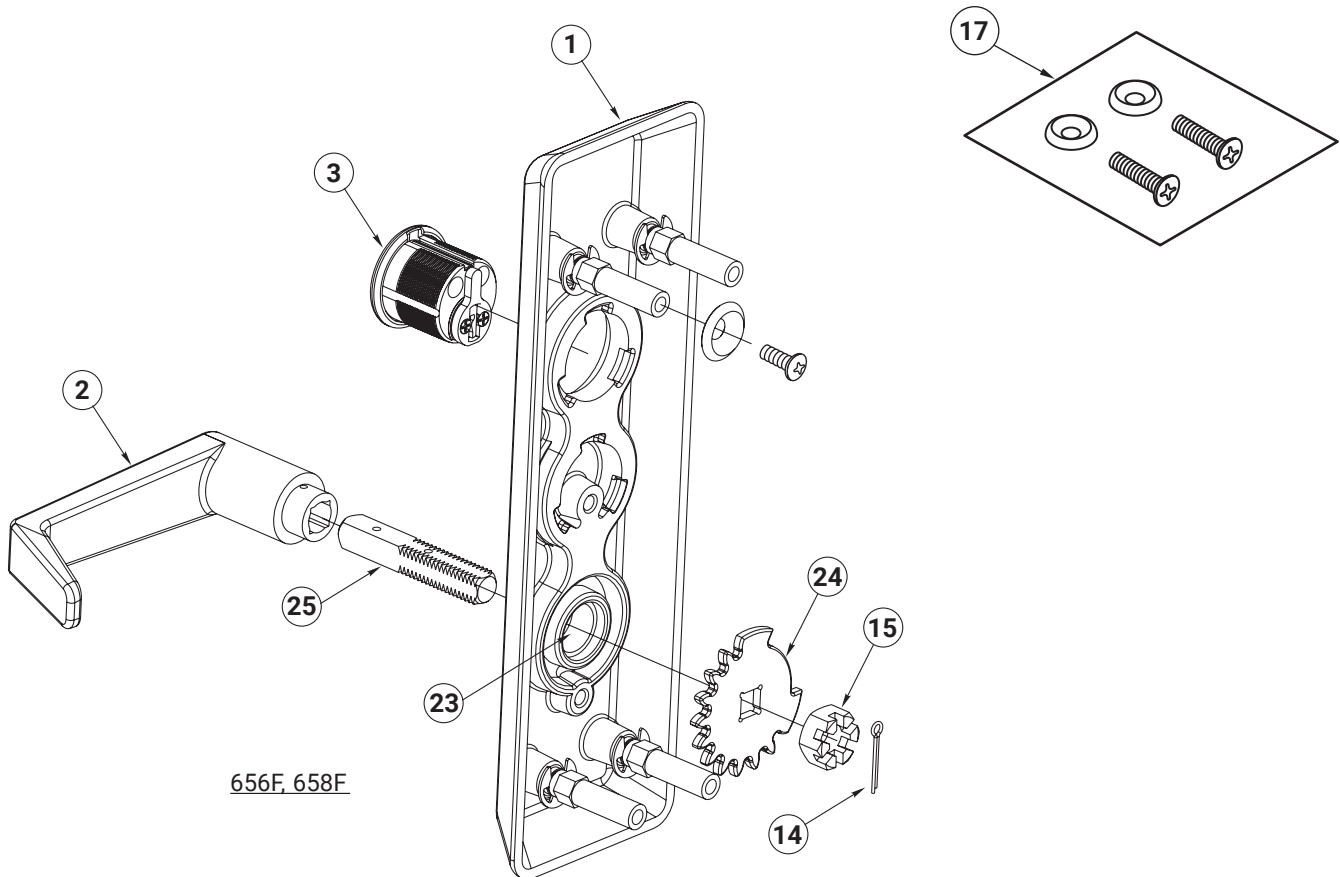
	
	Lever Access by Key
ANSI #	03
Trim	627F

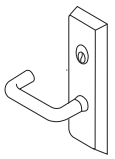
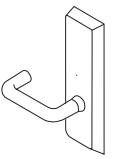
656F, 658F Trim

Item	Part No.	Description
1		Escutcheon Assembly
	60-7000-0703-FIN	Cylinder x Lever (656F)
	60-7000-0702-FIN	Blank x Lever (658F)
2	See Charts pages 54-55	Lever
3	See Chart Page 56	Cylinder, Mortise*
14	99-9958-0047-999	Cotter Pin
15	99-9999-3518-999	Nut, Spindle
16	60-7000-9001-999	Thimble Insert, Nylon (Levers) Not Shown
17	81-9500-1476-FIN	Screw Packet, Mtg.
		Consists of the following:
	81-0013-0670-FIN	Screw, 1/4-20 x 1 OPHMS (2)
	99-9999-7156-FIN	Washer, #14 Finish (2)
23	60-9958-0047-999	Washer, Spindle
24	60-7000-1328-048	Gear
25		Spindle
	60-7030-1045-048	1-3/4" - 2-1/4"
	60-7030-1026-048	2-1/4" - 3"

* See page 56 for cylinder collar applications.

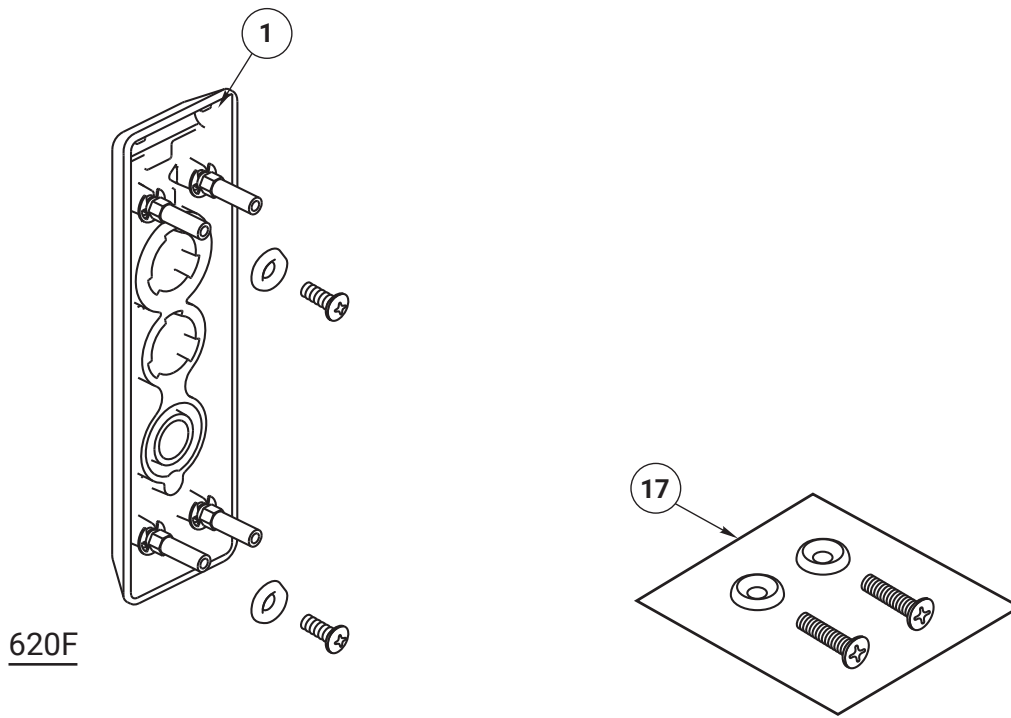
656F, 658F Trim




				
	Cylinder Controls Lever	(DT) Rigid Lever	Active Lever (Passage)	Free Wheeling Lever (DT)
ANSI #	08/09	02	14	02
Trim	656F	658F	658F	658F

620F Trim

Item	Part No.	Description
1	60-7000-0648-FIN	Escutcheon Assembly
17	81-9500-1476-FIN	Screw Packet, Mtg.
		Consists of the following:
	81-0013-0670-FIN	Screw, 1/4-20 x 1 OPHMS (2)
	99-9999-7156-FIN	Washer, #14 Finish (2)



620F

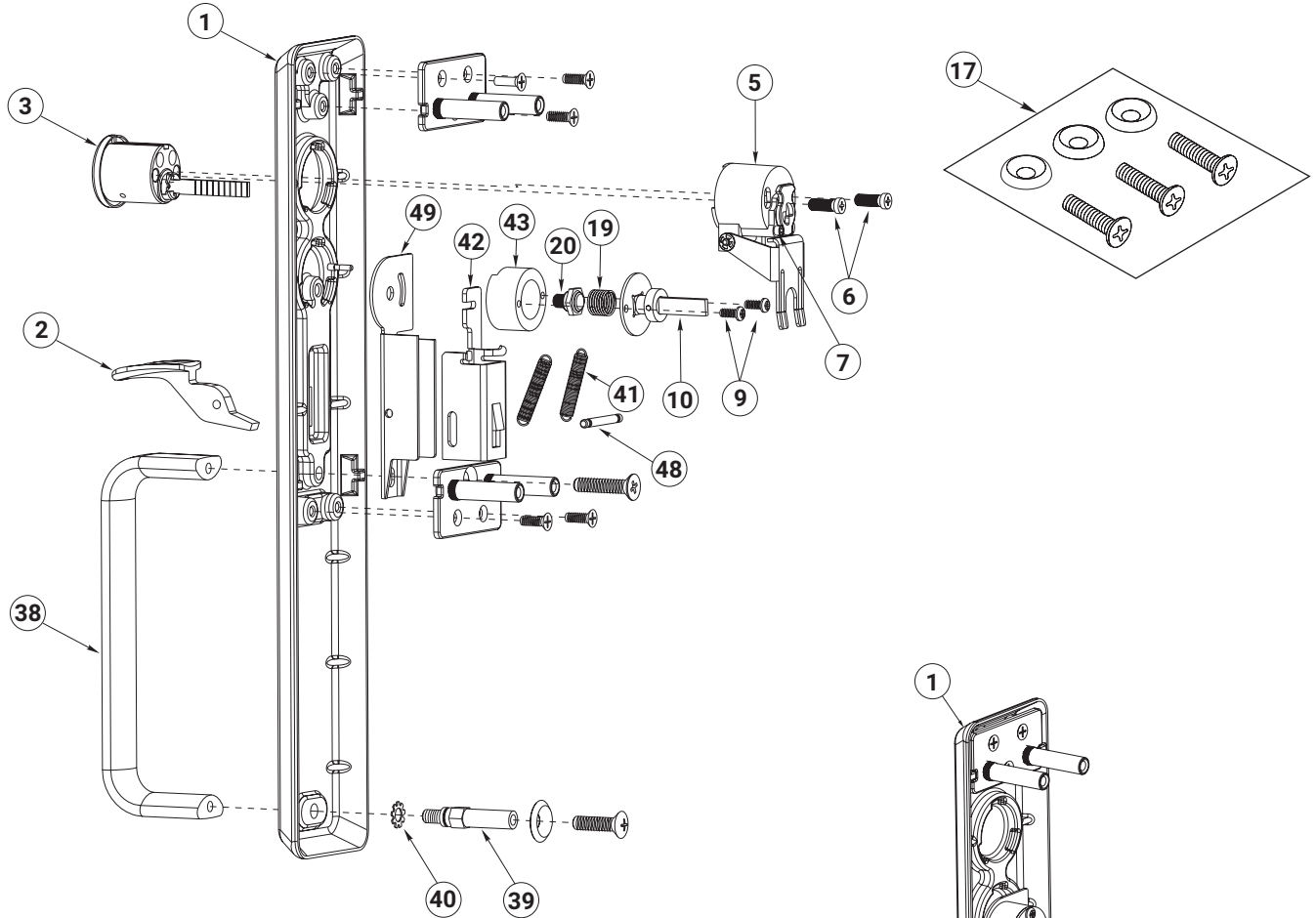
	
	(EO) Blank Plate
ANSI #	01
Trim	620F

633F, 635F Trim




Item	Part No.	Description
1		Escutcheon Assembly
	60-7000-0715-FIN	633F
	60-7000-0714-FIN	635F
2	60-7000-X192-FIN	Thumbpiece
3	See Chart Page 56	Cylinder, Rim*
5	60-7000-0215-000	Housing & Cam Assembly
6	60-7000-1235-048	Screw, Cylinder Mounting (2)
7	81-0016-2200-999	Screw, NL Function
9	81-4414-0308-036	Screw, Tailpiece Plate, #6 x 3/8 PHT-T-PH (2)
10	60-7000-0611-059	Tailpiece Assembly
17	81-9500-1476-FIN	Screw Packet, Mtg.
		Consists of the following:
	81-0013-0670-FIN	Screw, 1/4-20 x 1OPHMS (3)
	99-9999-7156-FIN	Washer, #14 Finish (3)
19	60-7000-1306-999	Spring Under Tailpiece
20	60-7000-1305-059	Hex Nut/Bushing for Spring
38	60-0010-2639-FIN	Pull, Straight
39	60-7000-1039-048	Screw Post
40	99-9999-7154-036	Lock Washer, Screw Post
41	99-9999-5697-999	Spring, Thumbpiece (2)
42	60-7000-1190-059	Slider, Thumbpiece
43	60-7000-0214-000	Housing, Tailpiece Assy.
48	60-7000-1045-059	Pin, Thumbpiece
49	60-7000-1189-059	Thumbpiece Support Bracket

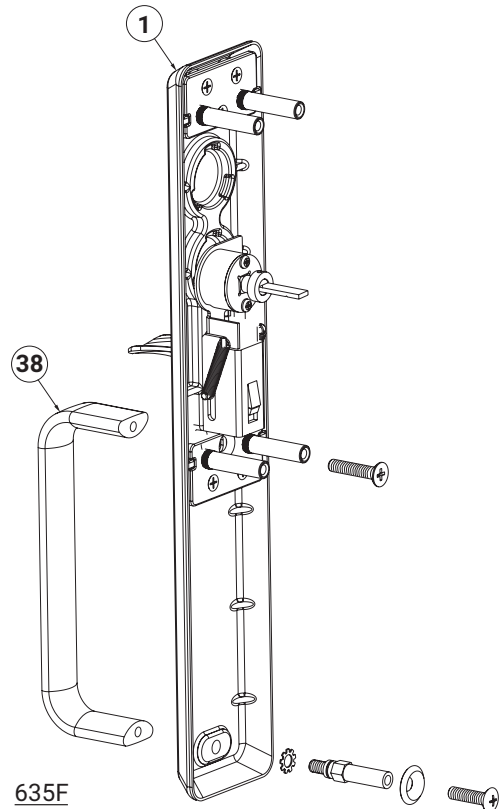
* See page 56 for cylinder collar applications.

633F, 635F Trim



633F

			
	Cylinder Controls T-Piece	Access by Key and T-Piece	(Passage) Active T-Piece
ANSI #	06	06	15
Trim	633F	633F	635F



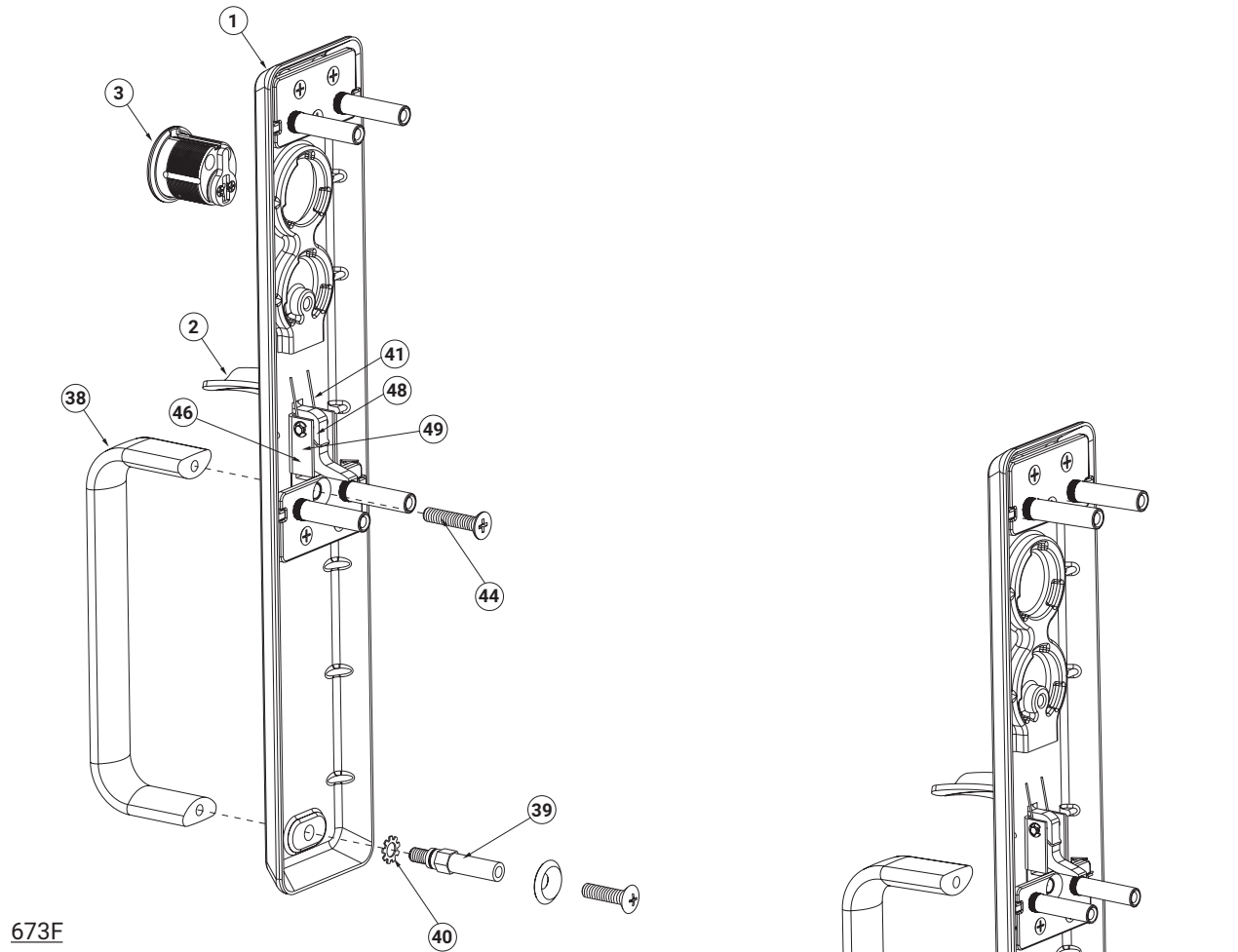
635F

673F, 675F Trim

Item	Part No.	Description
1		Escutcheon Assembly
	60-7000-0718-FIN	673F
	60-7000-0717-FIN	675F
2	60-1530-X114-FIN	Thumbpiece
3	See Chart Page 56	Cylinder, Mortise* 673F
17		Screw Packet, Mtg.
	81-9500-1405-FIN	1-3/4" - 2" Doors
	81-9500-1453-FIN	2-1/4" Doors
38	60-0010-2639-FIN	Pull, Straight
39	60-7000-1039-048	Screw Post
40	99-9999-7154-036	Lock Washer, Screw Post (2)
41	60-1530-1133-999	Spring, Thumbpiece
44	81-0011-0674-036	Screw, 1/4-20 x 1-1/4 FHPMS
45	60-7000-1460-048	Thumbpiece, Trim Spacer (Not Shown)
46	60-1500-1806-059	Bracket, Thumbpiece
48	60-1500-7244-000	Pin, Thumbpiece
49	99-9999-4517-999	Tru-Arc Ring



*See page 56 for cylinder collar applications.

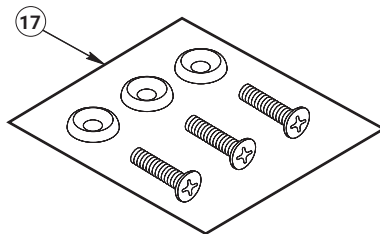
673F, 675F Trim



673F

675F

		
	Cylinder Controls T-Piece	(Passage) Active T-Piece
ANSI #	06	15
Trim	673F	676F

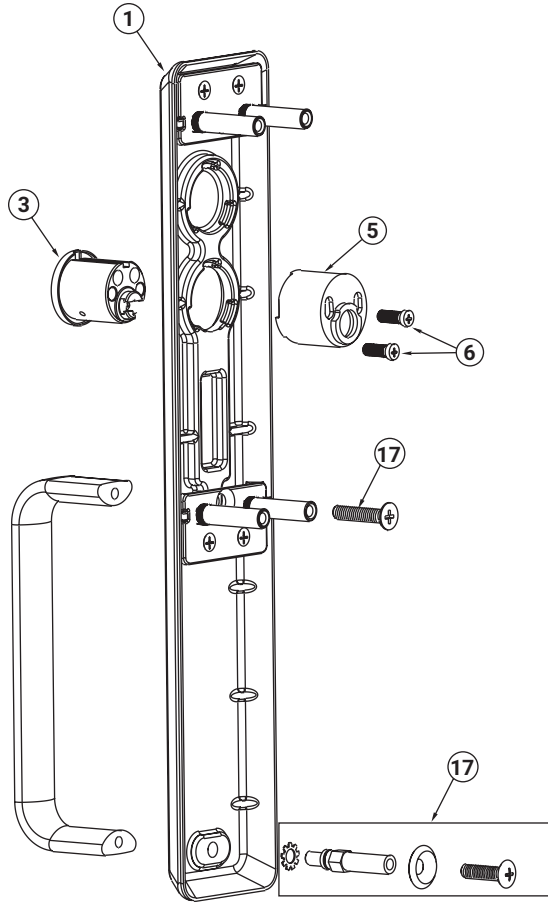


632F, 634F, 662F Trim

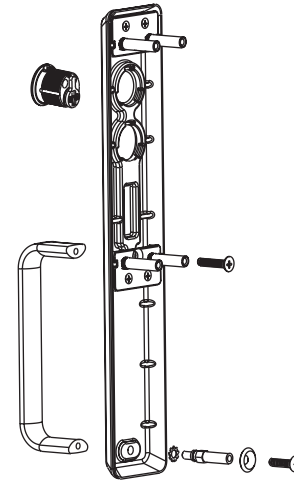
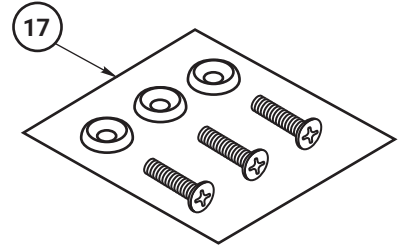
Item	Part No.	Description
1		Escutcheon Assembly
	60-7000-0713-FIN	632F
	60-7000-0711-FIN	634F
	60-7000-0717-FIN	662F
3	See Chart Page 56	Cylinder, Mortise or Rim*
5	60-2000-6206-082	Housing, Cylinder
6	60-7000-1235-048	Screw, Cylinder Mtg. (2)
17	81-9500-1467-FIN	Screw Packet, Mtg.
		Consists of the following:
	60-7000-1039-048	Threaded Post (1)
	81-0011-0674-036	1/4-20 x5/8" (1) RHPMS
	81-0013-0670-FIN	1/4-20 x1" (3) OHPMS
	99-9999-7156-FIN	Washer #14 Finish (3)

*See page 56 for cylinder collar applications.




632F, 634F, 662F Trim

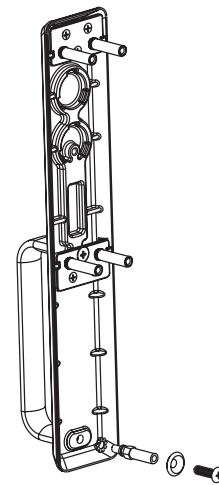


632F



662F

			
	(NL) Cylinder by Pull	(DT) Full Plate	(NL) Cylinder by Pull
ANSI #	03	02	03
Trim	632F	634F	662F

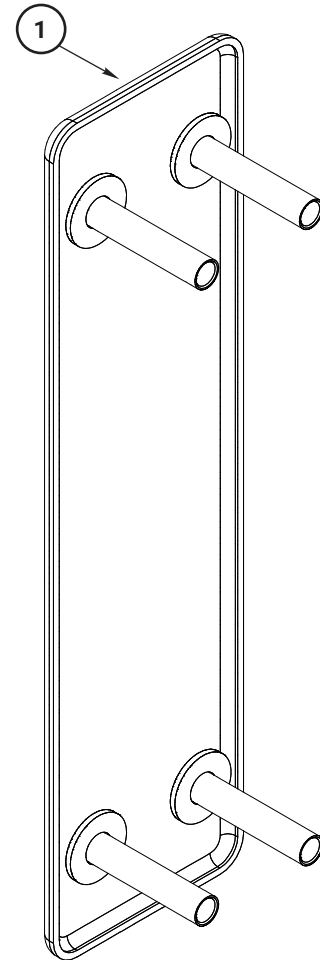


634F

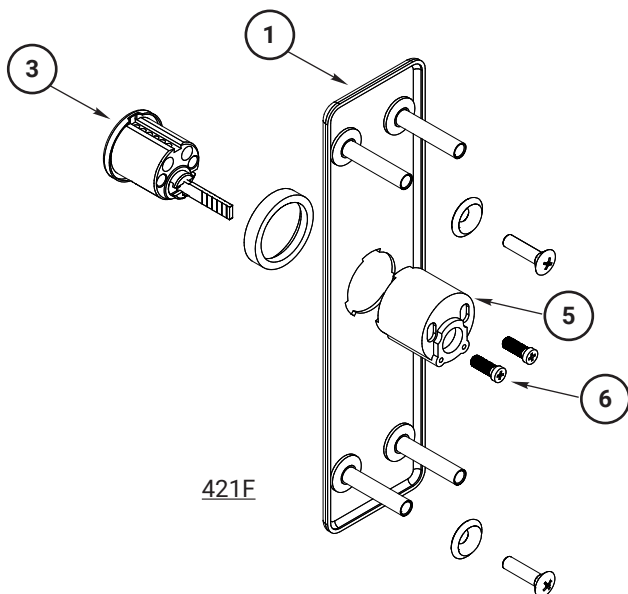
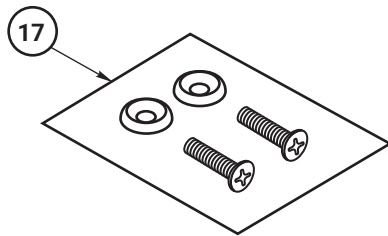
420F, 421F Trim

Item	Part No.	Description
1	60-7000-0141-FIN	420F
	60-7000-0145-FIN	421F
3	See Chart page 56	Cylinder, Rim or Mortise*
5	60-2000-6206-082	Housing cylinder
6	60-7000-1235-048	Screw, Cylinder Mounting (2)
17	81-9500-1476-FIN	Screw Packet, Mtg.
		Consists of the following:
	81-0013-0670-FIN	Screw, 1/4-20 x 1 OPHMS (2)
	99-9999-7156-FIN	Washer, #14 Finish (2)

*See page 56 for cylinder collar applications.



420F



421F

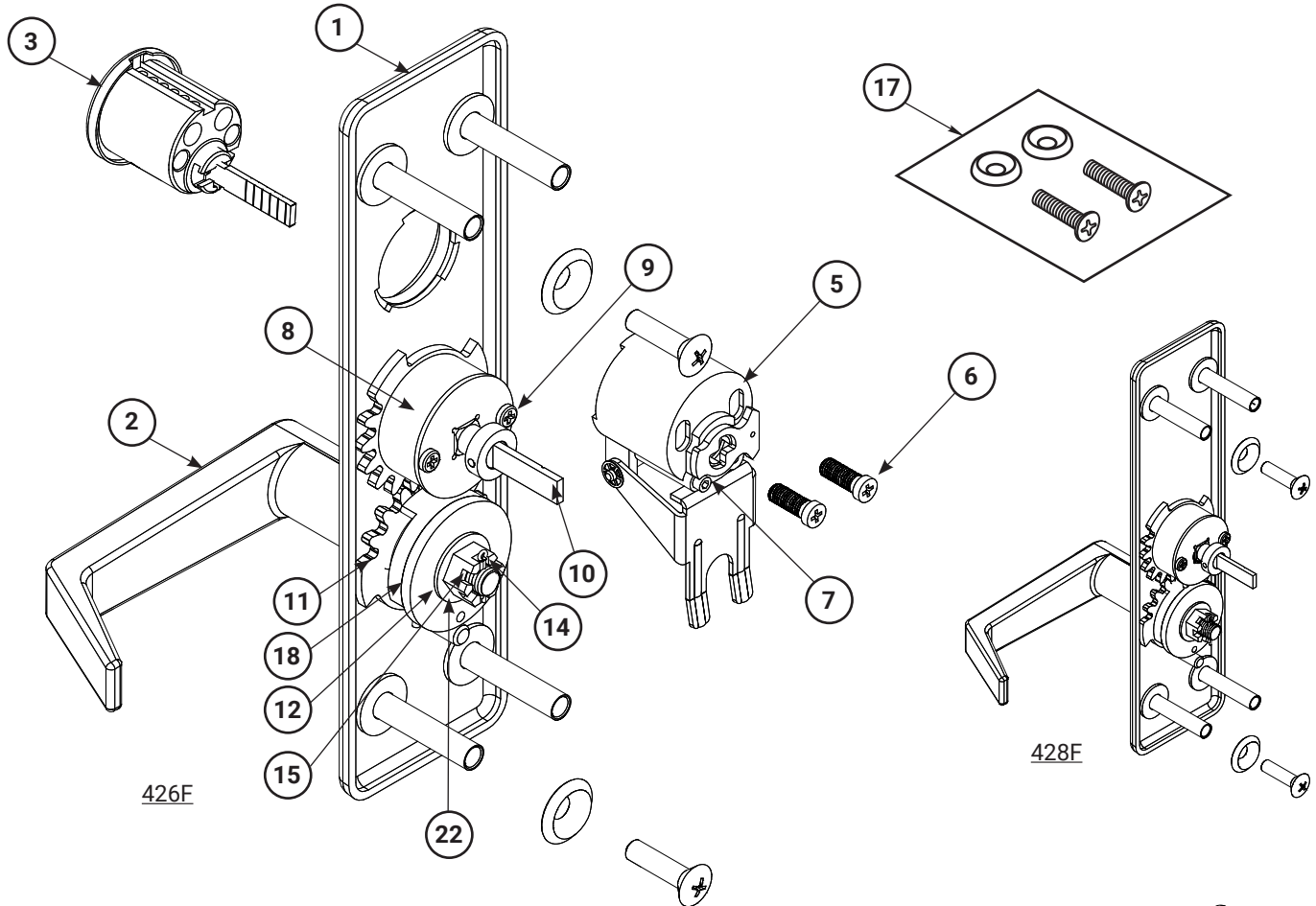
	(EO) Blank Plate	Access by Key
ANSI #	01	03
Trim	420F	421F

426F, 428F, 429F Trim

Item	Part No.	Description
1		Escutcheon Assembly
	60-7000-0416-FIN	426F
	60-7000-0417-FIN	428F, 429F
2	See Charts pages 54-55	Lever Assy.
3	See Chart page 56	Cylinder, Rim or Mortise*
5	60-7000-0215-000	Housing cylinder
6	60-7000-1235-048	Screw, Cylinder Mounting (2)
7	81-0016-2200-999	Screw, NL
8	60-7000-9002-999	Driver Gear Assembly
9	81-4414-0308-036	Screw, Tailpiece Plate, #6 x 3/8", PHT-T-PH (2)
10		Tailpiece Assembly
	60-7000-0610-059	1-3/4" Door Without Shim Kit
	60-7000-0217-059	2" - 2-1/4" Door or Std. Door with Shim Kit
11	60-7000-1328-048	Gear, Drive
12	60-7000-6220-999	Universal Spring Hub, Lever
14	99-9958-0047-999	Cotter Pin
15	99-9999-3516-999	Nut, Spindle
16	60-7000-9001-999	Thimble Insert, Nylon (Levers) (Not Shown)
17	81-9500-1476-FIN	Screw Packet, Mtg.
		Consists of the following:
	81-0013-0670-FIN	Screw, 1/4-20 x 1 OPHMS (2)
	99-9999-7156-FIN	Washer, #14 Finish (2)
18		Spring, Grip Return
	60-7000-1220-999	Levers, Universal Spring
19	60-7000-1306-999	Spring Under Tailpiece (Not Shown)
21	60-7000-1236-059	Washer Under Tailpiece (2) (Not Shown)
22	60-7000-1237-999	WASHER GEAR
23	60-7000-1305-059	Bushing (Not Shown)
24	60-7000-X055-FIN	Front Bearing (Not Shown)

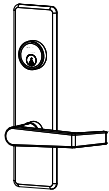
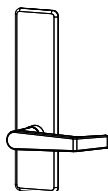
*See page 56 for cylinder collar applications.

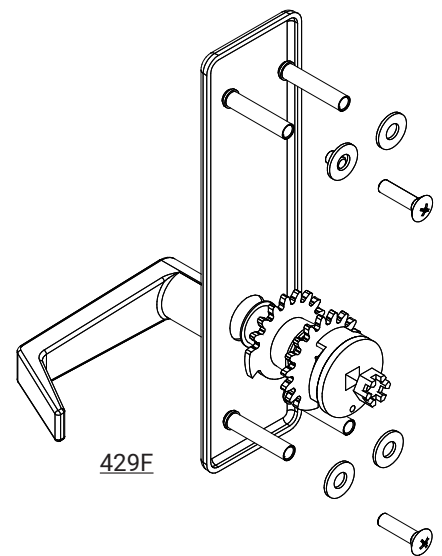
426F, 428F, 429F Trim



426F

428F

					
	Access by Key and Lever	Cylinder Controls Lever	Active Lever (Passage)	Free Wheeling Lever (DT)	(DT) Rigid Lever
ANSI #	09	08	14	02	02
Trim	426F		428F	428F	429F



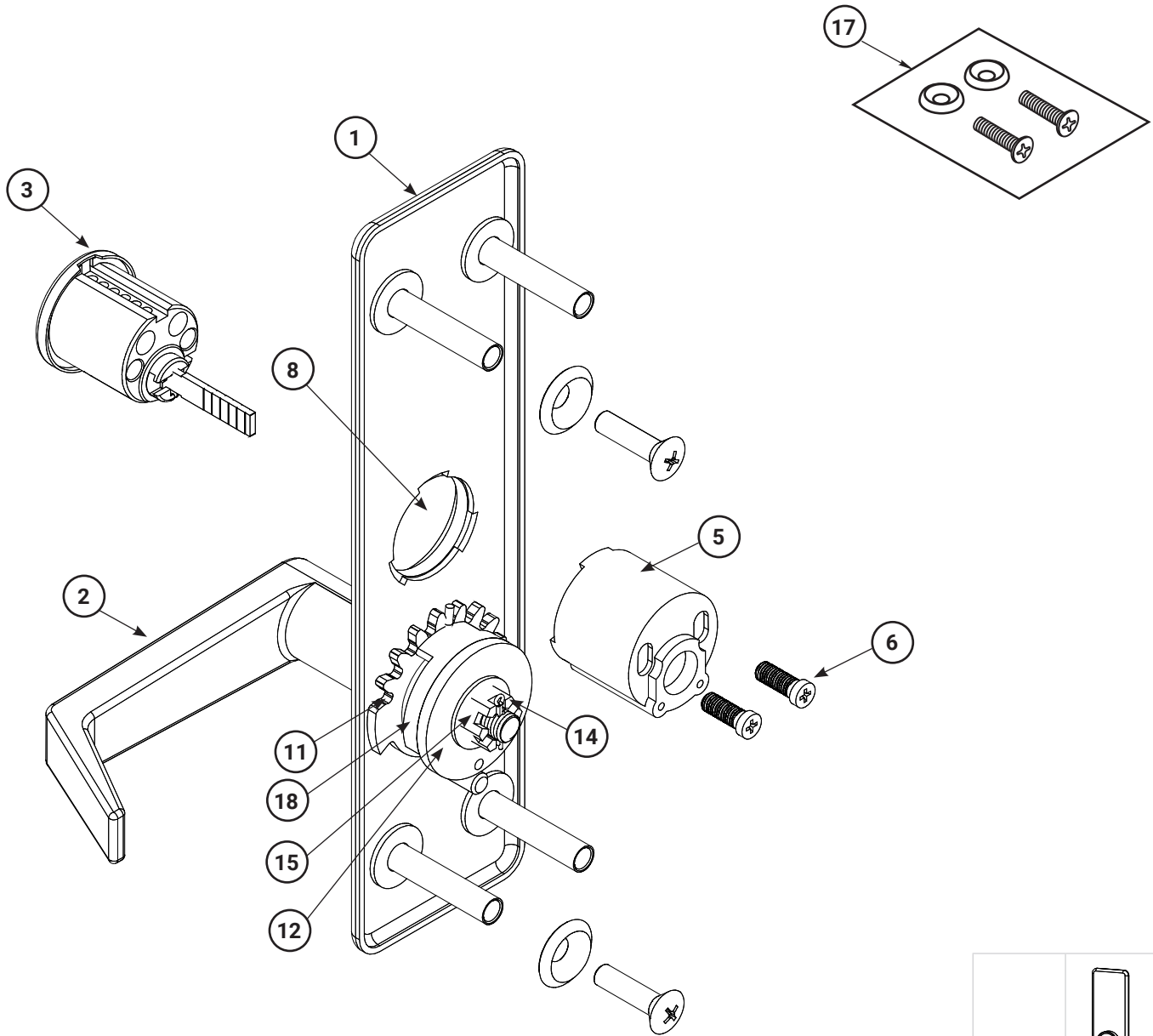
429F

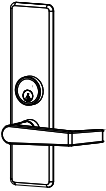
427F Trim

Item	Part No.	Description
1		Escutcheon Assembly
	60-7000-0526-FIN	427F
2	See Charts pages 54-55	Lever Assy.
3	See Chart page 56	Cylinder, Rim or Mortise*
5	60-2000-6206-048	Housing cylinder
6	60-7000-1235-048	Screw, Cylinder Mounting (2)
11	60-7000-1328-048	Gear, Drive
12	60-7000-6220-999	Universal Spring Hub, Lever
14	99-9958-0047-999	Cotter Pin
15	99-9999-3516-999	Nut, Spindle
16	60-7000-9001-999	Thimble Insert, Nylon (Levers) (Not Shown)
17	81-9500-1476-FIN	Screw Packet, Mtg.
		Consists of the following:
	81-0013-0670-FIN	Screw, 1/4-20 x 1 OPHMS (2)
	99-9999-7156-FIN	Washer, #14 Finish (2)
18		Spring, Grip Return
	60-7000-1220-999	Levers, Universal Spring
19	60-7000-X055-FIN	Front Bearing
20	60-7000-1236-059	Washer Under Tailpiece (2) (Not Shown)

*See page 56 for cylinder collar applications.

427F Trim



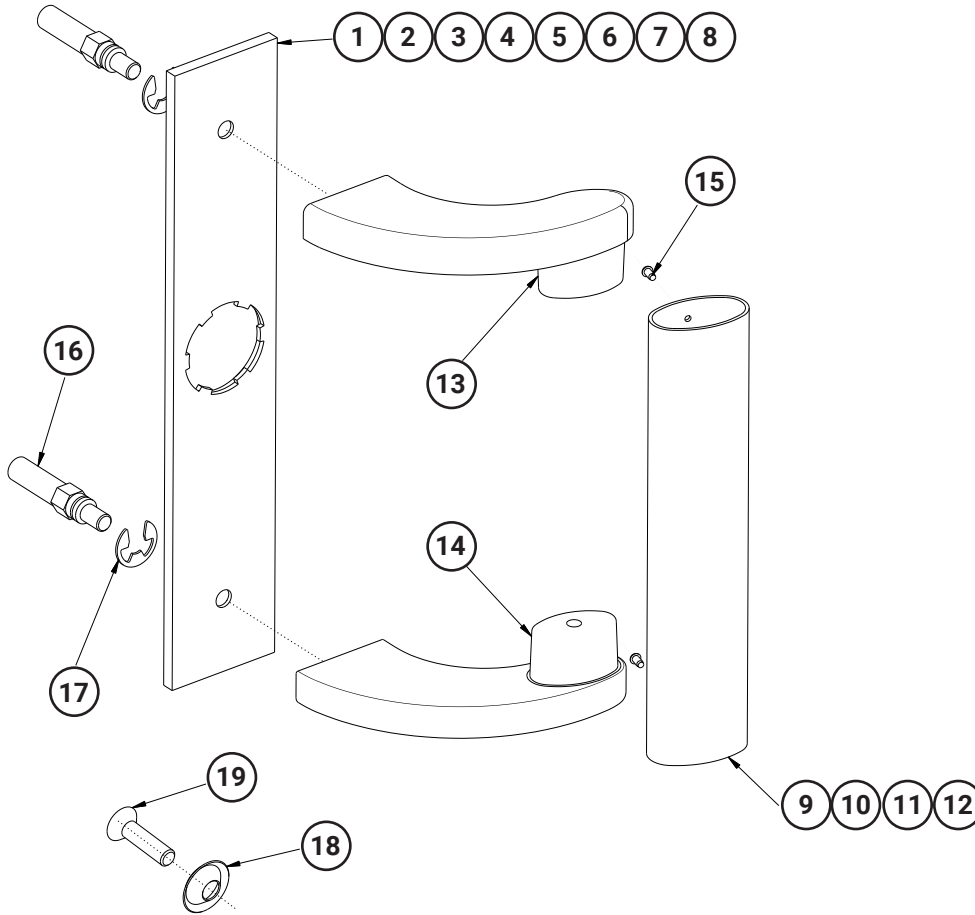
	
	Lever Access by Key
ANSI #	03
Trim	427F

480F, 481F, 482F, 483F Trim

Item	Part No.	Description
1	60-7200-X371	Escutcheon 7.25" (Pull)
2	60-7200-X372	Escutcheon 7.25" (Nightlatch)
3	60-7200-X373	Escutcheon 9.00" (Pull)
4	60-7200-X376	Escutcheon 9.00" (Nightlatch)
5	60-7200-X374	Escutcheon 15.00" (Pull)
6	60-7200-X377	Escutcheon 15.00" (Nightlatch)
7	60-7200-X375	Escutcheon 18.00" (Pull)
8	60-7200-X378	Escutcheon 18.00" (Nightlatch)
9	60-7000-X431	Pull Tube 6.73"
10	60-7000-X432	Pull Tube 8.48"
11	60-7000-X433	Pull Tube 14.48"
12	60-7000-X434	Pull Tube 17.48"
13	60-7000-2428	Bracket
14	60-7000-2429	Bracket
15	99-9999-4905	Drive Screw Rivet (2)
16	60-7000-1039	Trim Post (2)
17	99-9999-4526	Retaining Ring (2)
18	99-9999-7156	Finish Washer (2)
19	81-0013-0670	1/4-20 x 1" Oval Head Screw (2)

*See page 56 for cylinder collar applications.

480F, 481F, 482F, 483F Trim



	Dummy Pull	Nightlatch	Dummy Pull (Special Lengths)	Nightlatch (Special Lengths)
ANSI #	02	03	02	03
Trim	480F	481F	482F	483F

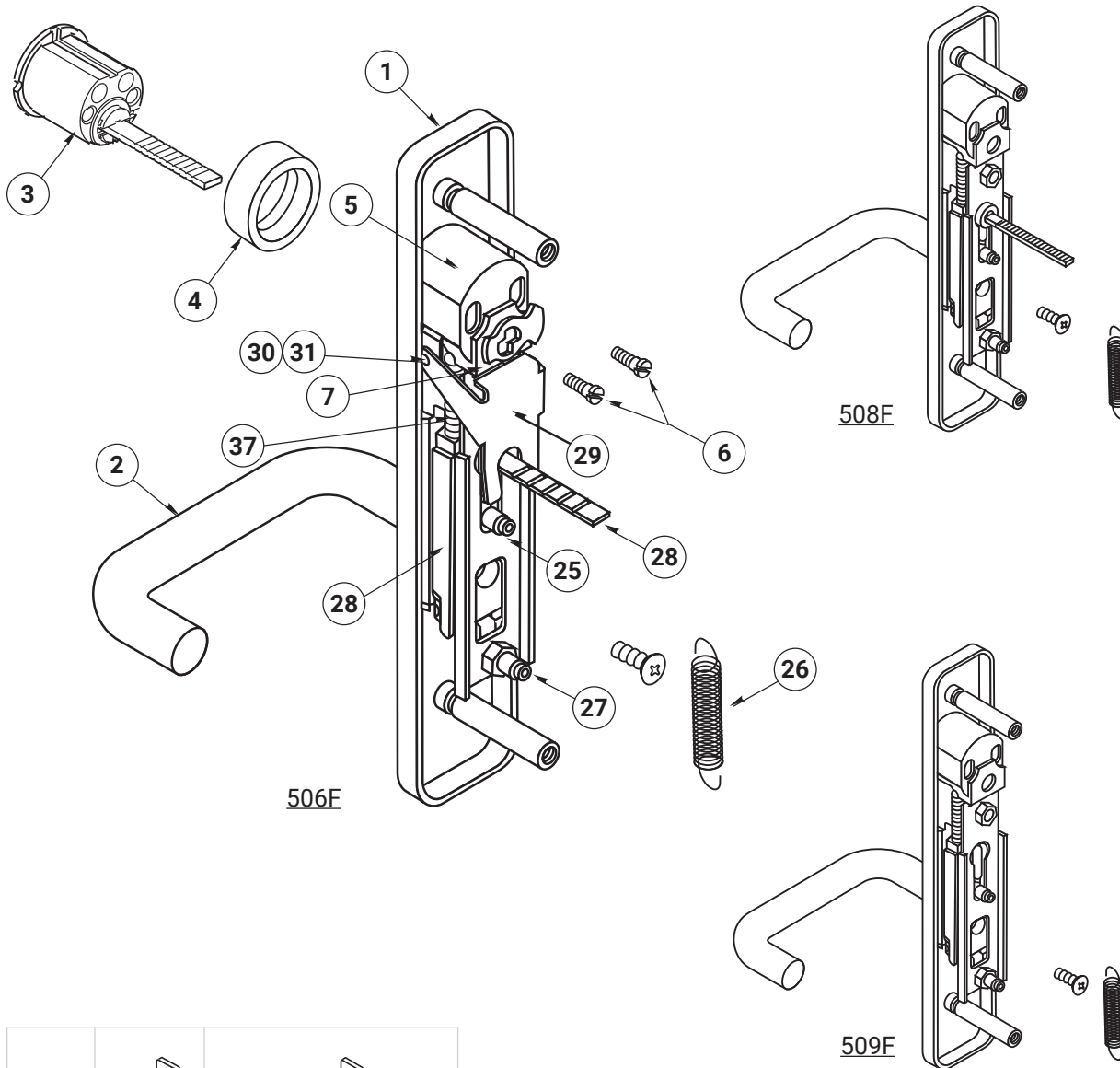
Item	Part No.	Description
1	81-9500-1476-FIN	Screw Packet, Mtg.
		Consists of the following:
		Screw 1/4-20 x 1 OPHMS(2)
	99-9999-7156-FIN	Washer #14 Finish (2)
3	See Chart Page 56	Cylinder, Rim
5	60-2000-6206-082	Housing, Cylinder (481F)
6	60-7000-1235-048	Screw, Cylinder Mtg. (2)


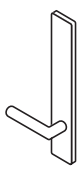

Note: Handle and Escutcheon sold as assembly only.

506F, 508F, 509F Trim

Item	Part No.	Description
1		Escutcheon Assembly
	60-7200-0128-FIN	506F
	60-7200-0129-FIN	508F, 509F
2	See Charts pages 54-55	Lever
3	See Chart Page 56	Rim Cylinder
4	See Chart Page 56	Cylinder Collar
5		Housing & Cam Assembly
	60-7200-0159-000	506F-Housing,Cyl.
	60-7200-6145-082	508F, 509F
6	60-7000-1235-048	Screw, Cylinder Mounting (2)
7	81-0016-2200-999	Screw, NL Function
16	60-7000-9001-999	Thimble Insert, Nylon Not Shown
19	60-7000-1306-999	Spring Under Tailpiece Not Shown
25	60-7200-1120-059	Plate, Cover
26	99-9999-5702-999	Spring, Extension
27	60-7200-1125-059	Nut, Spring Post
28		Rack & Tailpiece Assy.
	60-7200-0164-000	Levers
29	60-7200-1147-059	Lever, Clutch
30	60-7200-1083-059	Pin, Clutch Lever
31	99-9999-4617-999	Retainer, Clutch Lever Pin (2)
32	99-9999-3508-036	Nut, Cover Plate (2) Not Shown
33	60-7200-1142-000	Hub Not Shown
34	99-9999-0246-999	Bushing, Nylon Not Shown
35	60-7200-1104-059	Washer, Grip Not Shown
36	81-0611-0410-036	Screw, 8-32 x 7/16, Spindle Not Shown
37		Spring, Rack (2)
	60-7200-1134-000	Lever
	60-7200-1133-000	Knob, Thumbturn

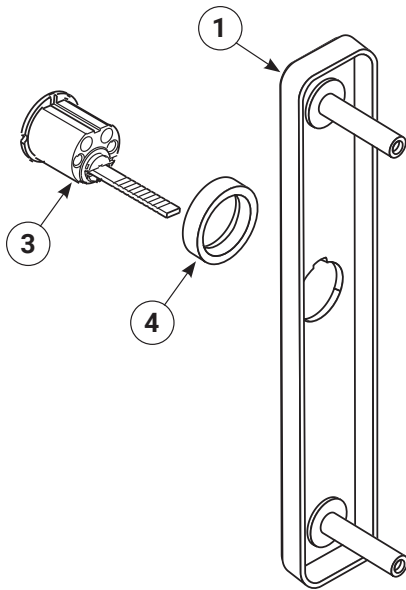
506F, 508F, 509F Trim



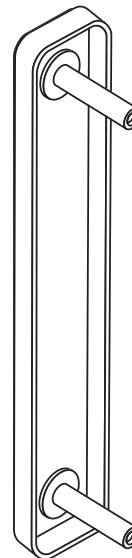
			
	Cylinder Controls Lever	Passage Trim Lever	Rigid Dummy Lever
ANSI #	08	14/02	02
Trim	506F	508F	509F

500F, 501F Trim



Item	Part No.	Description
1		Escutcheon Assembly
	60-7200-0151-FIN	500F
	60-7200-0123-FIN	501F
3	See Chart Page 56	Cylinder, Rim
4	See Chart Page 56	Collar, Cylinder
5		Housing & Cam Assembly
	60-2000-6206-082	501F, Housing, Cylinder
6	60-7000-1235-048	Screw, Cylinder Mounting (2)



501F



500F

		
	(EO) Blank Plate	(NL) Access by Key
ANSI #	01	03
Trim	500F	501F

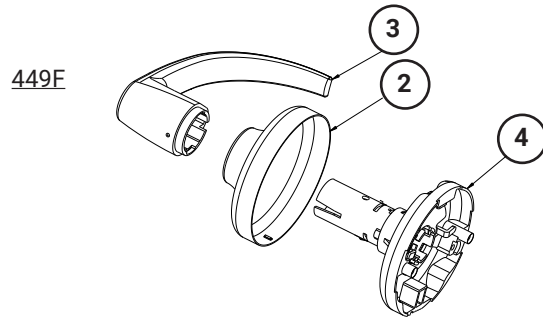
441F, 446F, 448F, 449F Trim

Item	Part No.	Description
1	14-5300-0030-010	Rose Plate
2	14-5401-2711-FIN	Rose Scalp
3		Plain Lever
	14-5401-6640-FIN	AU - Augusta
	14-5403-6650-FIN	MO - Monroe
	14-5403-6651-FIN	PB - Pacific Beach
		Cylinder Lever
	14-5407-6038-FIN	AU - Augusta
	14-5407-6042-FIN	MO - Monroe
	14-5407-6062-FIN	PB - Pacific Beach
		ACCENTRA I/C (6 Pin) Lever
	14-5407-6021-FIN	AU - Augusta
	14-5407-6045-FIN	MO - Monroe
	14-5407-6065-FIN	PB - Pacific Beach
		ACCENTRA I/C (7 Pin) Lever
	14-5407-6022-FIN	AU - Augusta
	14-5407-6042-FIN	MO - Monroe
	14-5407-6066-FIN	PB - Pacific Beach
		Best, Arrow, Falcon SFIC (6 & 7 Pin)
	14-5407-6056-FIN	AU - Augusta
14-5407-6048-FIN	MO - Monroe	
14-5407-6068-FIN	PB - Pacific Beach	
4		Rose support assy
	14-5303-0001-048	441F,446F, 448F
	14-0355-0003-048	449F
5	14-5305-9078-999	Spacer
6	14-5405-9029-999	Spindle Block (441F)
7		Spindle Assy
	14-5407-0166-048	441F
	14-5407-0161-048	446F
	14-5407-0180-048	448F
8	60-7000-1546-048	Retainer Plate
9	60-7000-6510-048	Flange Casting
10	81-3711-0412-048	8-32 X 1/2 FHPMS (2)
11	81-3812-0407-999	8-32 X 11/32 FHPUC (2)
12	See Chart Page 56	Cylinder

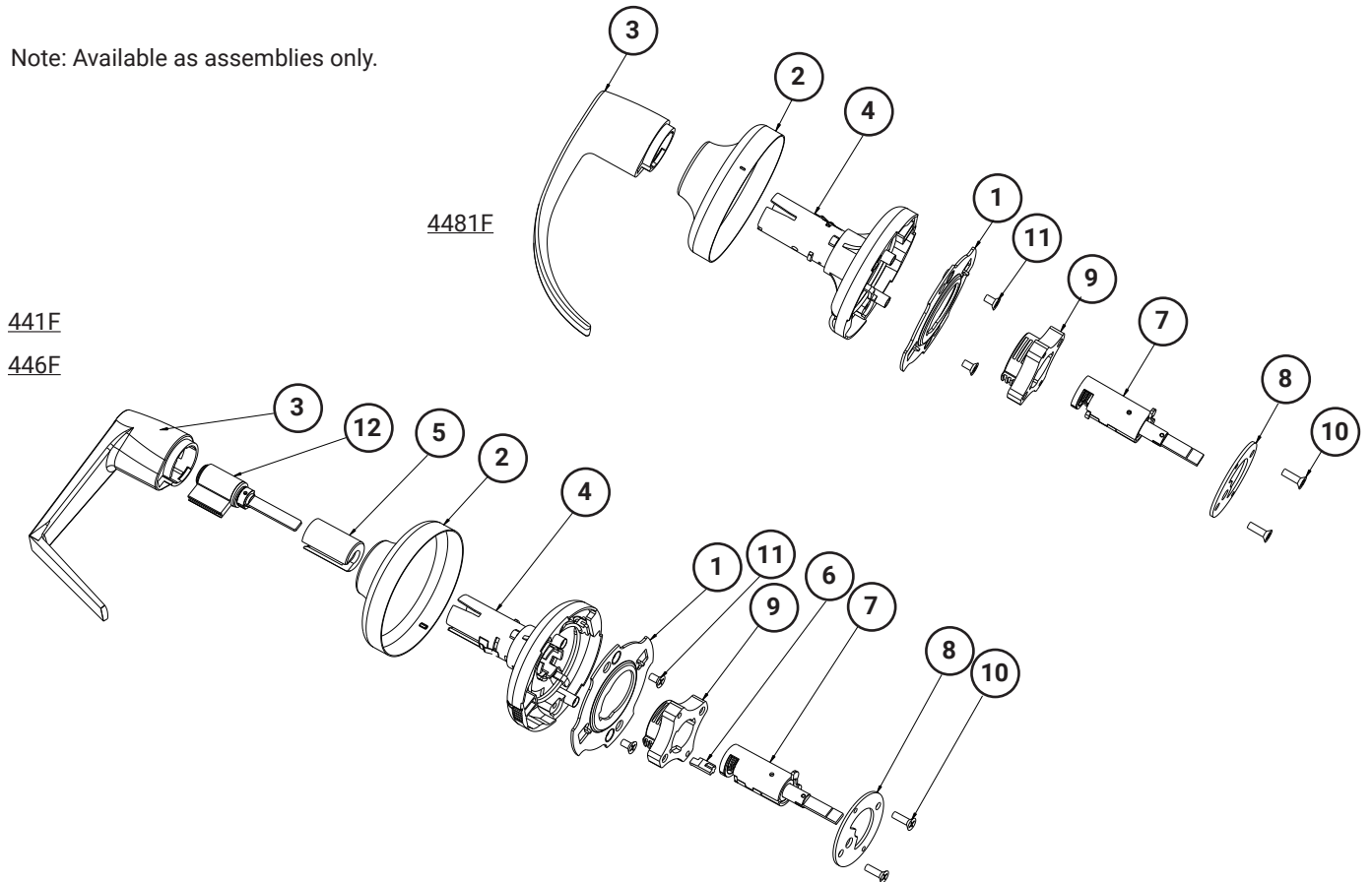
*See page 56 for cylinder collar applications.

441F, 446F, 448F, 449F Trim

	(NL) Access by Key	Cylinder Control Lever	(DT) Free Wheeling Lever	Passage Lever	(DT) Rigid Lever
ANSI #	03	08	02	14	02
Trim	441F	446F	448F	448F	449F



Note: Available as assemblies only.



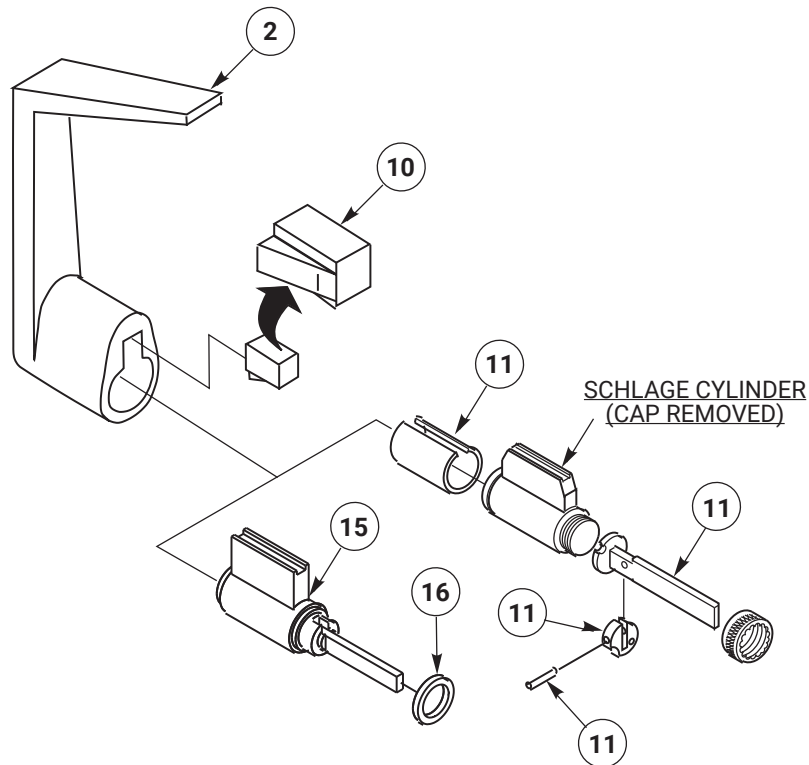
541F, 546F, 548F, 549F Trim

Item	Part No.	Description
1	14-5401-2711-FIN	Rose Scalp
2		Plain Lever
	14-5401-6640-FIN	AU - Augusta
	14-5403-6650-FIN	MO - Monroe
	14-5403-6651-FIN	PB - Pacific Beach
		Cylinder Lever
	14-5407-6038-FIN	AU - Augusta
	14-5407-6042-FIN	MO - Monroe
	14-5407-6062-FIN	PB - Pacific Beach
		ACCENTRA I/C (6 Pin) Lever
	14-5407-6021-FIN	AU - Augusta
	14-5407-6045-FIN	MO - Monroe
	14-5407-6065-FIN	PB - Pacific Beach
		ACCENTRA I/C (7 Pin) Lever
	14-5407-6022-FIN	AU - Augusta
	14-5407-6042-FIN	MO - Monroe
	14-5407-6066-FIN	PB - Pacific Beach
		Best, Arrow, Falcon SFIC (6 & 7 Pin)
	14-5407-6056-FIN	AU - Augusta
14-5407-6048-FIN	MO - Monroe	
14-5407-6068-FIN	PB - Pacific Beach	
7	14-5407-1102-000	Tool, Lever Removal Not Shown
11	107S	Schlage® Retrofit Kit
15	See Chart Page 56	Cylinder
16	14-5407-9201-999	Spacer, Cylinder































541F, 546F, 548F, 549F Trim

	(NL) Access by Key	Cylinder Control Lever	(DT) Free Wheeling Lever	Passage Lever	(DT) Rigid Lever
ANSI #	03	08	02	14	02
Trim	541F	546F	548F	548F	549F

Note: Available as assemblies only.











Trim Designs For Escutcheons

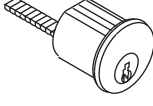
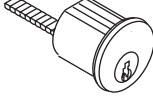
Hudson	TB	UB	TC	TD	UC
					
Projection	3-1/16" (78mm)	3-1/4" (83mm)	3" (76mm)	3-7/16" (87mm)	3-7/16" (87mm)
Danube	TE	TI			
					
Projection	3" (76mm)	3-3/8" (85mm)			
Seine	TG	TO	TJ	TK	
					
Projection	2-13/16" (61mm)	3-1/2" (89mm)	3-1/16" (78mm)	3-1/4" (83mm)	
Thames	TM	TN	TP	TR	
					
Projection	3-1/16" (78mm)	3-1/16" (78mm)	3-5/16" (84mm)	3-1/16" (78mm)	
	TS	TQ			
					
Projection	3-1/8" (80mm)	3-1/16" (78mm)			
Victoria	TT	TU	TV	TW	UW
					
Projection	2-11/16" (68mm)	3-1/4" (83mm)	3-1/2" (89mm)	3" (76mm)	3-7/16" (87mm)
	TX	UX	TY	TZ	
					
Projection	3-5/8" (92mm)	3-7/16" (87mm)	3-5/16" (84mm)	3-7/16" (87mm)	
Niagara	MA	RA	RB	RC	
					
Projection					

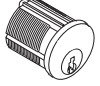
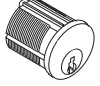
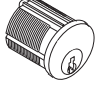
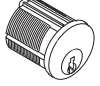
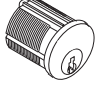
Note: Projection dimensions are provided using the 620F Series escutcheon plates.

Trim Designs For Escutcheons

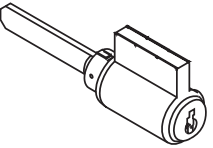
<p>AR</p>  <p>Arcadia Projection: 3-1/4" (82mm) Lever assembly: RHR 60-7000-0097-FIN LHR 60-7000-0098-FIN</p>	<p>AU</p>  <p>Augusta Projection: 2-5/8" (61mm) Lever assembly: 60-7000-0095-FIN</p>	<p>CR</p>  <p>Carmel Projection: 3-1/8" (79mm) Lever assembly: 60-7000-0140-FIN</p>	<p>JN</p>  <p>Jefferson Projection: 2-9/16" (65mm) Lever assembly: 60-7000-0093-FIN</p>
<p>MO</p>  <p>Monroe Projection: 3" (76mm) Lever assembly: 60-7000-0239-FIN</p>	<p>PB</p>  <p>Pacific Beach Projection: 3-5/16" (84mm) Lever assembly: 60-7000-0240-FIN</p>	<p>PN</p>  <p>Pinehurst Projection: 3-1/16" (78mm) Lever assembly: 60-7000-0198-FIN</p>	<p>VI</p>  <p>Virginia Projection: 3-1/8" (79mm) Lever assembly: 60-7000-0236-FIN</p>

Cylinders

		Application:	Cylinder(s)	Description	Cylinder Collar	Mounting Screws
Narrow Escutcheon Trim 420F/480F/500F Series Rim cylinders with special #599 cylinder rings. NOT AVAILABLE with U5109 cylinder.		6200 Rim 6250 SquareBolt® 6210 SVR 6220 CVR	1109 / 5109 6-pin	Standard / Security	599- .419	60-7000-1235-048
			1109 / 5109 7-pin	Standard / Security	599- .419	60-7000-1235-048
			1193 / 5193 6-pin	I.C. / Sec. I.C.	599- .544	10-1193-1018-048
			1193 / 5193 7-pin	I.C. / Sec. I.C.	599- .544	10-1193-1018-048
			1709 6-pin	CMK Cylinder	599- .544	34-2311-8738-048
			1709 7-pin	CMK Cylinder	599- .700	34-2311-8738-048
Escutcheon Trim 620F/630F and 600 Series Electric Trim Rim Cylinders		6100(F) Rim 6150(F) SquareBolt® 7170(F) SVR 7160(F) CVR	1109 / 5109 6-pin	Standard / Security	----	60-7000-1235-048
			U5109 6-pin	High Security	----	60-7000-1235-048
			1109 / 5109 7-pin	Standard / Security	KP4 (630F only)	60-7000-1235-048
			U5109 7-pin	High Security	----	60-7000-1235-048
			1709 6-pin	CMK Cylinder	1765- .250	34-2311-8738-048
			1709 7-pin	CMK Cylinder	1765- .250	34-2311-8738-048
			1193 / 5193 6-pin	Std. / Sec. I.C.	1765- .250	10-1193-1018-048
			1193 / 5193 7-pin	Std. / Sec. I.C.	1765- .344	10-1193-1018-048

		Application:	Cylinder(s)	Description	Cylinder Collar
Mortise Exit Devices Escutcheon Trim 650F Series		6130(F) Mortise	2153 / 5153, 6 or 7-pin, 1-1/2" (38mm)	Standard / Security	----
			2196 / 5196 6-pin	Std. I.C. / Sec. I.C.	----
			2197 / 5197 7-pin	Std. I.C. / Sec. I.C.	KP4
Mortise Exit Devices Escutcheon Trim 660F/670F Series		6130(F) Mortise	2153 / 5153, 6 or 7-pin, 1-1/2" (38mm)	Standard / Security	KP4 (6-pin only)
			2196 / 5196 6-pin	Std. I.C. / Sec. I.C.	KP4
			2197 / 5197 7-pin	Std. I.C. / Sec. I.C.	1765 - .250
Keyed Removable Mullions KRM200/200F		6100(F), 6200 Rim 6150(F), 6250 SquareBolt®	2153/5153*, 6 or 7-pin, 1-1/8" (29mm)	Standard / Security	1765 - .312
			2196 / 5196 6-pin	Std. I.C. / Sec. I.C.	1765 - .750
			2197 / 5197 7-pin	Std. I.C. / Sec. I.C.	1765 - .844
Cylinder Dogging		Panic-rated devices	2153, 6-pin, 1-1/8" (29mm)	Standard	----
			2153, 7-pin 1-1/4" (32mm)	Optional 7-pin	6765 - .156
			2196, 6-pin 1-1/2" (38mm)	Std. I.C. 6-pin	6765 - .406
SecureX™ & Alarm Kit		All Exit Devices	2197, 7-pin 1-11/16" (42mm)	Std. I.C. 7-pin	1765 - .594

As with exit device trim you must order a cylinder to go with a keyed removable mullion. The ACCENTRA® keyed removable mullion accepts a standard 6-pin 2153 mortise cylinder with cam #2160. Other cylinders are optional.

		Application:	Cylinder(s)	Description
Knob or Leverset Trim 440F/540F Series Trim Keyed trim uses ACCENTRA® cylindrical lock cylinders.			1802	6-pin Lever Cyl. (Std.)
			1802A	7-pin Lever Cylinder
			1210	6-pin I.C. Lever Cylinder
			1220	7-pin I.C. Lever Cylinder
			5802	6-pin Security Lever Cyl.
			5802A	7-pin Security Lever Cyl.
			5210	6-pin I.C. Security Cyl.
			5220	7-pin I.C. Security Cyl.
			107S	Adaptor kit for Schlage® Cyl.
			"B" Trim Prefix	Trim with lever for Best®, Arrow® or Falcon® SFIC cylinder (specify 6 or 7-pin)

KeyMark® Refer to catalog for availability.

Strikes

Rim Devices

<p>757F Standard 6100(F), 6150(F)</p>	<p>793 Optional 6100, 6150</p>	<p>759 Standard 6200, 6250 Rim</p>

Vertical Rod Devices

<p>791 Standard 6210, 6220 Top</p>	<p>797 Bracket for SVR Top Strike in Flush Transom Opening</p>	<p>761 Standard 6160 Top</p>	<p>726 Standard 6170 Top</p>
<p>702 Floor Strike for Bottom Pullman Latch Option</p>	<p>790 Standard All Vertical Rod Devices</p>	<p>794 Floor Strike for fire openings using saddle threshold, or flush floor mount</p>	

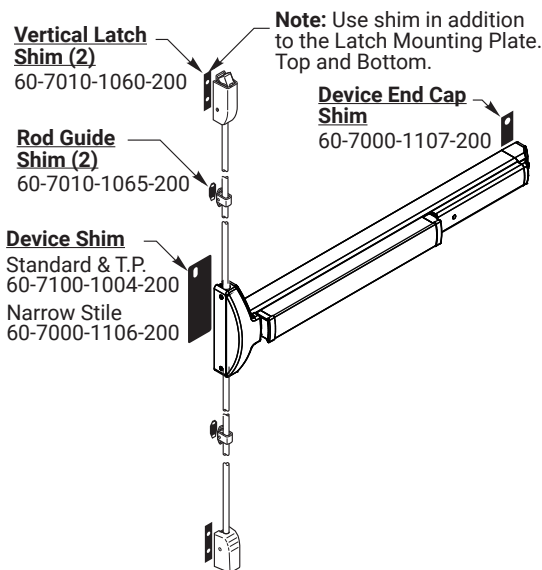
Mortise Devices

<p>712 Optional flat lip ANSI strike used with 6130 devices for pairs of doors with astragals. (7/8" lip)</p>	<p>798 Standard All Mortise (Non-Handed)</p>	<p>202 Standard Box for ANSI Prep</p>	<p>718 Open Back Strike for Door Pair When Code Allows Use</p>

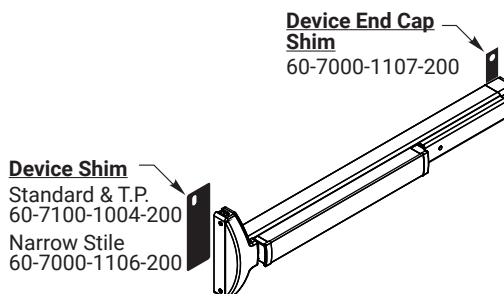
Accessories

Shim Kits

624SK, 624NS For Surface Vertical Rod Exit Device



623SK, 623NS For Rim, Mortise, and CRV Exit Device

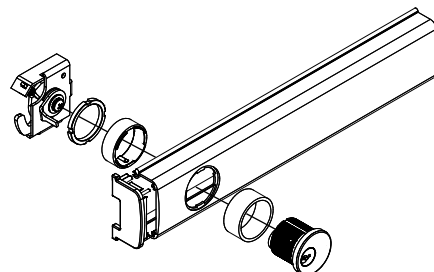


615 Cylinder Dogging Kits

Designed to convert a panic device from hex key dogging to cylinder dogging.

Not permitted on fire-rated devices.

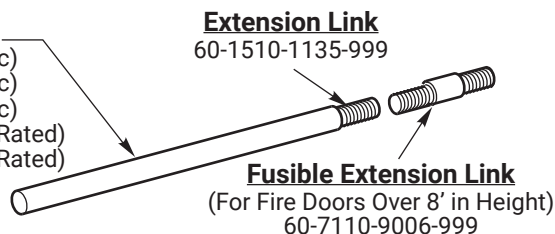
Bar Length	Part Number
24"	60-6000-0435-FIN
36"	60-6000-0426-FIN
36" NS	60-6200-0358-FIN
42"	60-6000-0434-FIN
42" NS	60-6200-0359-FIN
48"	60-6000-0427-FIN
48" NS	60-6200-0363-FIN



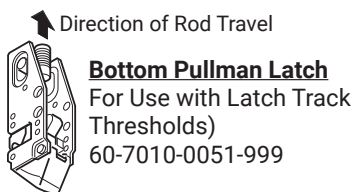
Surface and Concealed Vertical Rod Extension Kits

Used to extend the height of standard length rods for 6110(F)(8' max), 6120, 6160(F), 6170(F), and 6210 Series exit devices.

Rod Extension Assembly	
2"	60-1510-0280-FIN (Panic)
6"	60-1510-0277-FIN (Panic)
12"	60-1510-0278-FIN (Panic)
12"	60-1510-0282-FIN (Fire Rated)
24"	60-1510-0281-FIN (Fire Rated)



Optional Vertical Latches



Accessories

ANTI-PRY BRACKET

Model number: 625AP

Offers increased security by improving resistance against jamb spreading during a pry attack. When the door is in the closed position, the Anti-Pry Bracket interlocks in position between the exit device strike and frame preventing the strike and exit device latch from being separated.



PLASTIC INSTALLATION TEMPLATE

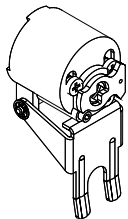
Provided as a standard with all 6000 Series exit device, the plastic installation template facilitates door markings over traditional paper templates. This provides a more accurate door prep which reduces installation mistakes and overall installation time. Template dimensions: 8-1/4" x 3-1/4" (210mm x 83mm). To order separately, specify part number: 60-7000-9100-999.



RETROFIT KITS

Schlage® Cam and Housing Assembly

Part Number: 60-7000-0815



Von Duprin® Tailpiece Part

Number: 34-1145-1005-048

SPECIALTY FASTENERS

Sex Nuts:

Required for wood, composite or unreinforced metal doors.

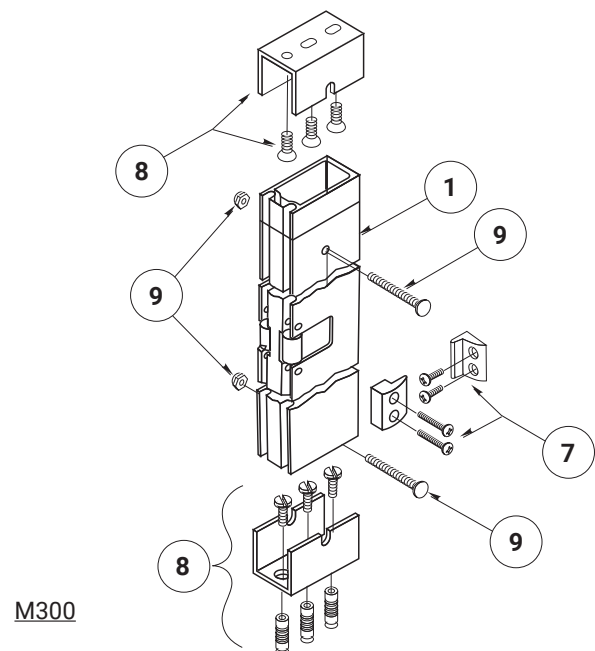
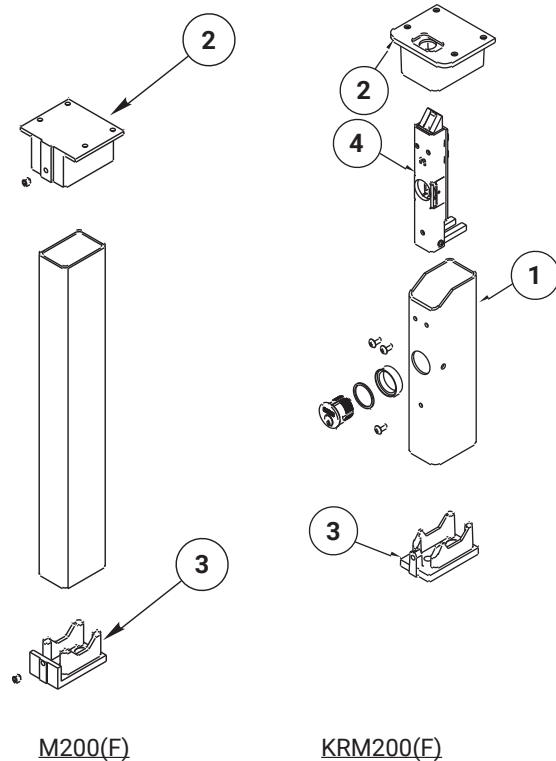
- SN-104 – Interlock bracket pack of (4) 10-24 sex nuts for all fire rim and Squarebolt® devices.
- SN-134 – pack of (4) 1/4-20 sex nuts for all devices.

TORX® Security Screws:

Available for factory product orders. Wood screws may only be used in predrilled pilot holes of solid core wood doors.

Mullions

Item	Part No.	Description
1	60-7200-0011-FIN	Mullion 8' M300
2	60-7000-0759	M200(F)
	60-7000-0755	KRM200(F)
3	60-7000-0763	M200(F)
	60-7000-0760	KRM200(F)
4	60-7000-0750	Locking Mechanism, KRM200(F)
5	See Chart Page 56	Cylinder, Mortise
7	81-9500-1417-078	Stabilizer Kit (optional)
		Contains:
		Bracket, Stabilizer (2)
		Stabilizer (2)
		Spacer, Stabilizer (4)
		Screw, #10-24 x 3/4"
		FHM-PH (4)
8	81-9500-1416-FIN	Mounting Bracket Packet
		Contains:
		Mullion Mounting Plate (2)
		Screw, 1/4-20 x 1/2
		FHUM-PH (6)
9	81-9500-1414-FIN	Carriage Bolt Packet
		Contains:
	Bolt, 1/4-20 x 1-3/4" Carriage	
Not Shown	81-9500-1523-FIN	Parts Packet contains: Items 7, 8 and 9



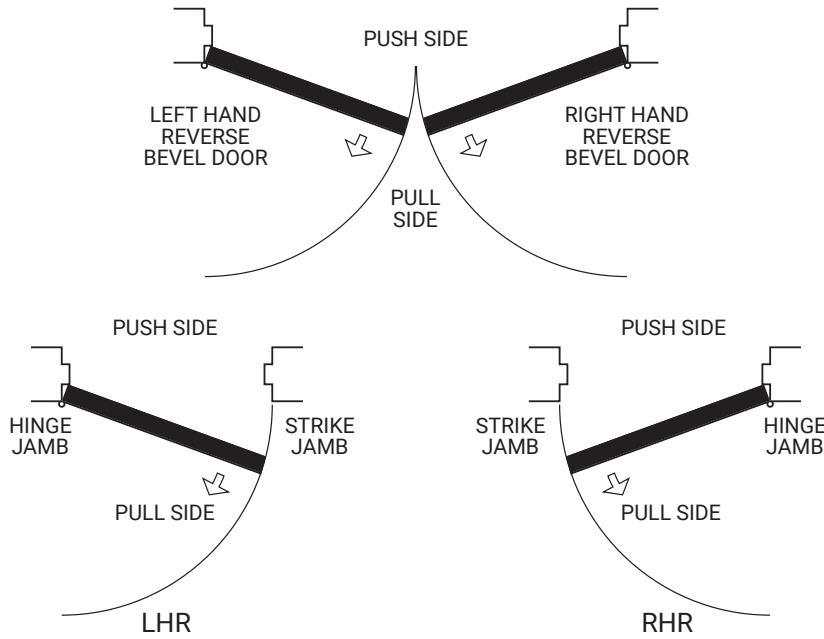
Handing Instructions

Handing

Left Hand Reverse: Hinges on left, opens outward. For handed devices, specify LHR.

Right Hand Reverse: Hinges on right, opens outward. For handed devices, specify RHR.

Note: Doors with Panic-Exit and Fire Exit hardware must open out. Therefore, hands must be reverse bevel.



Rim Devices

6100(F), 6150(F), 6200, 6250 Series

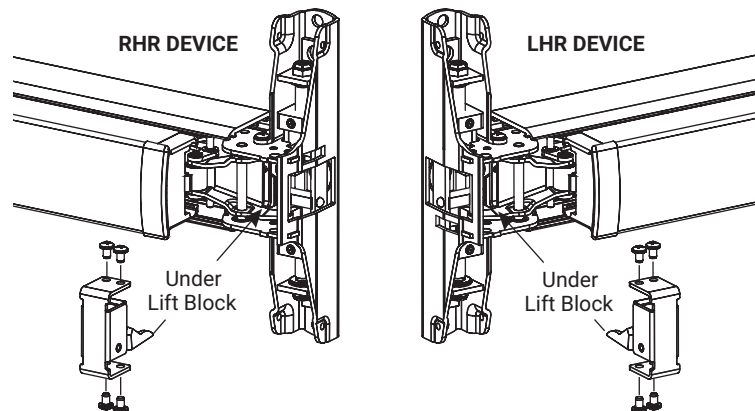
These devices are non-handed.

Vertical Rod Devices, Surface and Concealed

6160(F), 6170(F), 6210, 6220 Series

Remove four screws and vertical lifter assembly. Turn device to opposite (180 degrees) orientation, insert lifter assembly and reinstall screws.

NOTE: Lifter must fit under lift block as shown.



Handing Instructions

Effective April 16, 2010, the following Free-Wheeling exit device lever trims will ship with a new universal lever spring and hub:

626F, 627F, 628F, 629F, 690F, 691F

The new universal spring allows the handing for the trim to easily be changed without the need for any additional parts. This means no more red or blue springs!

To accommodate the new universal spring, a slight modification to the door prep has been incorporated. In anticipation of this change, revised door templates for these functions were posted to our website in August 2009.

The required trim handing should be specified on the purchase order and will be set at the factory.

The following details changing the handing in the field:
Tools Needed: Needle Nose pliers, Crescent wrench

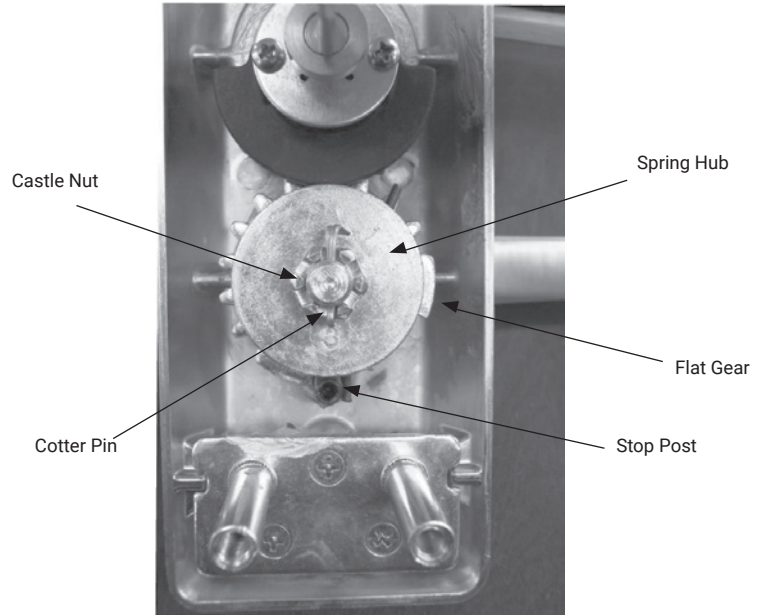
Notes:

During change ensure black gear does not rotate.

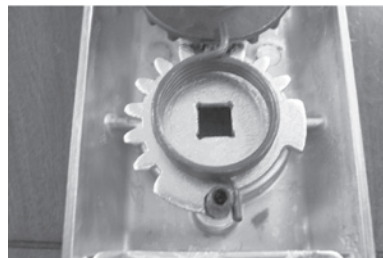
Please wear safety glasses and be aware of spring tension on spring hub upon removal and assembly.

Light lubrication is recommended under flat gear, white lithium grease can be used.

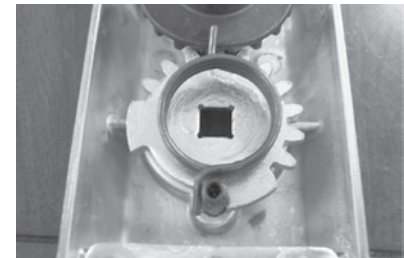
- Remove cotter pin
- Remove castle nut
- Remove washer
- Carefully pull up on spring hub to disengage spring
- Remove spring and note orientation
- Remove lever handle
- Pick-up flat gear, flip and orient stop on opposite side of stop post. See pictures for hand orientation.
- Install spring upside down from original orientation and place spring leg on opposite side of stop post from original installation orientation
- Install lever 180 degrees from original position
- Install spring hub with stamped number in the 6 o'clock position
- Rotate spring leg around with needle nose pliers to engage notch in spring hub, refer to pictures for reference position. Press down on spring hub to ensure complete engagement.
- Install washer
- Install castle nut, do not over tighten, verify by ensuring lever returns horizontally on its own
- Install cotter pin



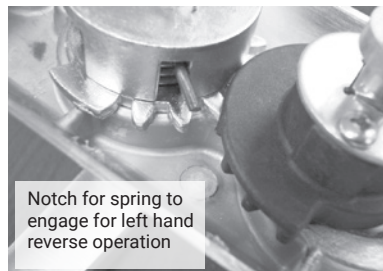
Left Hand Reverse Shown



Left Hand Reverse gear & spring orientation



Right Hand Reverse gear & spring orientation

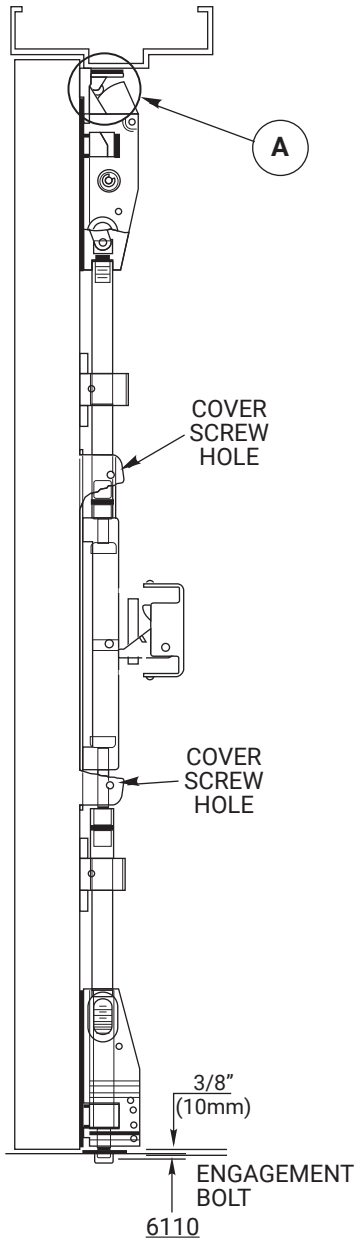


Notch for spring to engage for left hand reverse operation



Spring orientation for right hand reverse operation

Surface Vertical Rod Exit Devices



If top latch does not engage properly, check alignment. When locked, latch bolt should not be preloaded by strike (**Area A**). Shim or reposition strike if necessary. Bolts extend automatically when door closes and top strike hits tripping lever. Top bolt should retract flat. Bottom bolt should travel 1/2" and engage 3/8" into strike in down position, without dragging on floor surface in up position.

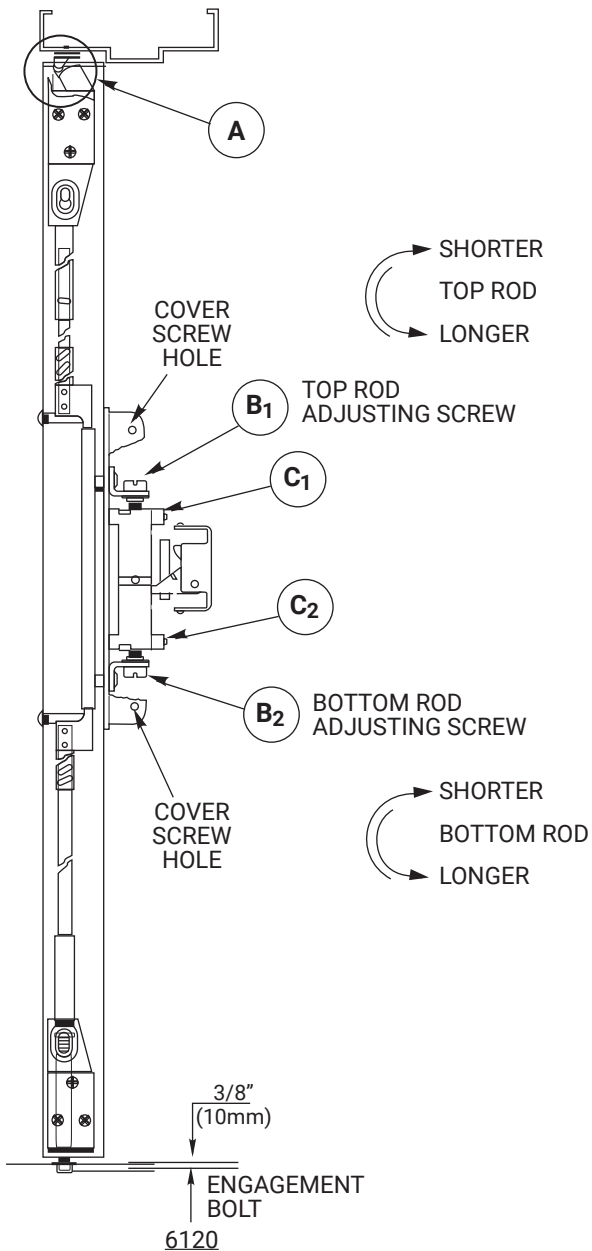
Rod Adjustment

1. Remove active case cover screws and cover.
2. Remove rod guide cover screws and rod guide covers. Tilt rods, top and bottom, out of engagement in active case and out of rod guides.
3. **Adjust top rod first.** Push up on top rod to fully retract top latch with hold back feature engaged. With device in dogged position (panic devices) or touch-bar fully depressed (fire devices), adjust top rod so that the square head of the rod connector slides into engagement in the active case. Shorten rod an additional 1/2 turn.
4. **Adjust bottom rod.** With top rod engaged, top latch retracted in hold back position, and touch bar dogged or fully depressed, adjust bottom rod so that the deadbolt clears the strike by 1/16". The bottom rod should be in position in the active case with the square head of the connector hanging in the slide.
5. **Check device operation** by opening and closing the door. When present, operate the device with the outside trim. An additional minor adjustment may be required for full retraction and correct strike engagement.
6. Reinstall the rod guide covers and the active case cover.

Maintenance

1. Periodically remove covers and coat mechanisms with an appropriate lubricant. This is regularly required in corrosive environments for proper product operation.
2. Check mounting fasteners periodically. Retighten if found loose. Apply screw locking compound or change part fasteners if screws continue to back out.
3. Periodic checks and adjustments of rods may be required to compensate for door or frame sag.

Concealed Vertical Rod Exit Devices



Rods should move freely inside door. Bolts extend automatically when door closes and top strike is tripped. Top bolt should retract flat. Bottom bolt should travel 1/2" and engage 3/8" into strike in down position, without dragging on floor surface in up position.

If top latch does not engage properly check alignment. When locked, latch bolt should not be preloaded by strike (**Area A**). Shim or reposition strike if necessary.

Rod Adjustment for Bolt Throw

1. Remove Latch assembly cover screws and cover.
2. Use 3/32" Allen wrench to loosen set screws **C₁** and **C₂**.
3. Adjusting screws **B₁** and **B₂** only provide fine rod adjustment. If screws bottom out before proper device operation, door and device must be removed. Larger adjustments may then be made either by threading rod in or out, or by moving cotter pin to different hole in rod.
4. **Adjust top rod first.** With device in dogged position (panic devices) or touchbar fully depressed (fire devices), adjust top rod so that the top latchbolt is flush and the hold back feature is engaged. Lengthen top rod an additional 1/2 turn.
5. **Adjust bottom rod.** With top latch retracted in hold back position, and touch bar dogged or fully depressed, adjust bottom rod so that the deadbolt clears the strike by 1/16". The bottom rod should be in position in the active case with the square head of the connector hanging in the slide.
6. **Check device operation** by opening and closing the door. When present, operate the device with the outside trim. An additional minor adjustment may be required for full retraction and correct strike engagement.
7. When finished, lock adjusting screws in place with Allen set screws.

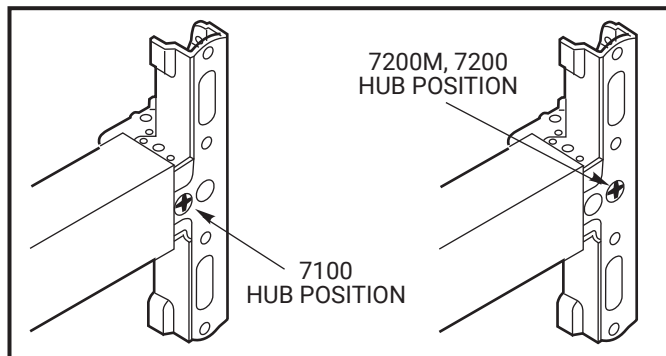
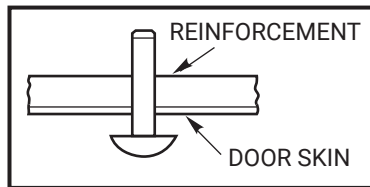
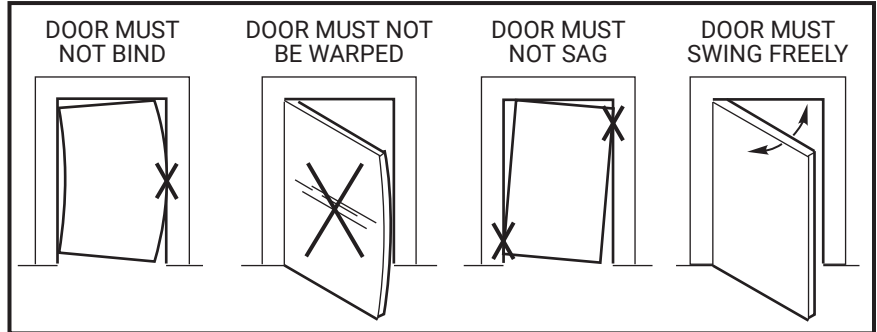
Caution: To avoid thread damage and provide positive locking, be sure Allen set screws engage flats on adjusting screws.

Maintenance

1. Periodically remove covers and coat exposed mechanisms with an appropriate lubricant. This is regularly required in cor-rosive environments for proper product operation.
2. Check mounting fasteners periodically. Retighten if found loose. Apply screw locking compound or change part fasteners if screws continue to back out.
3. Periodic checks and adjustments of rods may be required to compensate for door or frame sag.

Troubleshooting Guide

1. Many problems with the operation of exit devices are caused by factors other than the device itself. Among the most common is a misalignment or an improper fit of the door within the frame.
2. Another common source of problems is improper installation. Even if all cutouts and screw holes are properly located, exit devices must be securely fastened to properly reinforced doors. Hollow doors and frames with a structural thickness (metal skin plus reinforcement, or solid hardwood) must have at least three full screw threads to be considered reinforced.
3. Most problems with dogging occur on vertical rod devices. When the dogging function is hard to engage or will not work at all, the rods may be incorrectly adjusted allowing the mechanism to bottom out. Re-adjust rods per the device instructions or as outlined on the previous pages.



DIFFERENCE IN ACTIVE HEADS

Notes

Notes

The ASSA ABLOY Group is the global leader in access solutions. Every day we help people feel safe, secure, and experience a more open world

ACCENTRA
ASSA ABLOY

MicroShield®

ASSA ABLOY Group companies offer MicroShield®, an anti-microbial coating for door hardware. MicroShield uses proven silver ion-based technology from Agion®, a leading provider of antimicrobial solutions, to stem the spread of bacteria and other microbes.

MicroShield® is a registered trademark of ASSA ABLOY Access and Egress Hardware Group, Inc.

Copyright © 2004-2024, ASSA ABLOY ACCENTRA™ Access and Egress Hardware Group, Inc. All rights reserved. Reproduction in whole or in part without the express written permission of ASSA ABLOY Access and Egress Hardware Group, Inc. is prohibited. Patent pending and/or patent www.assaabloydss.com/patents.

1-855-557-5078 Ext. 2
www.accentra-assaabloy.com

42912-4/24

Experience a safer
and more open world