

The ASSA ABLOY Group is the global leader in access solutions. Every day we help people feel safe, secure and experience a more open world.

ASSA ABLOY Customer eBook

Attack Resistant Solutions

Experience a safer and more open world

Internal

ASSA ABLOY

This eBook is intended to provide an overview of Attack Resistant Solutions from Fleming.

To advance to the next slide, click the Green Arrow at the bottom right of the page.

To advance to a different section, click on the desired box at the bottom of the page.



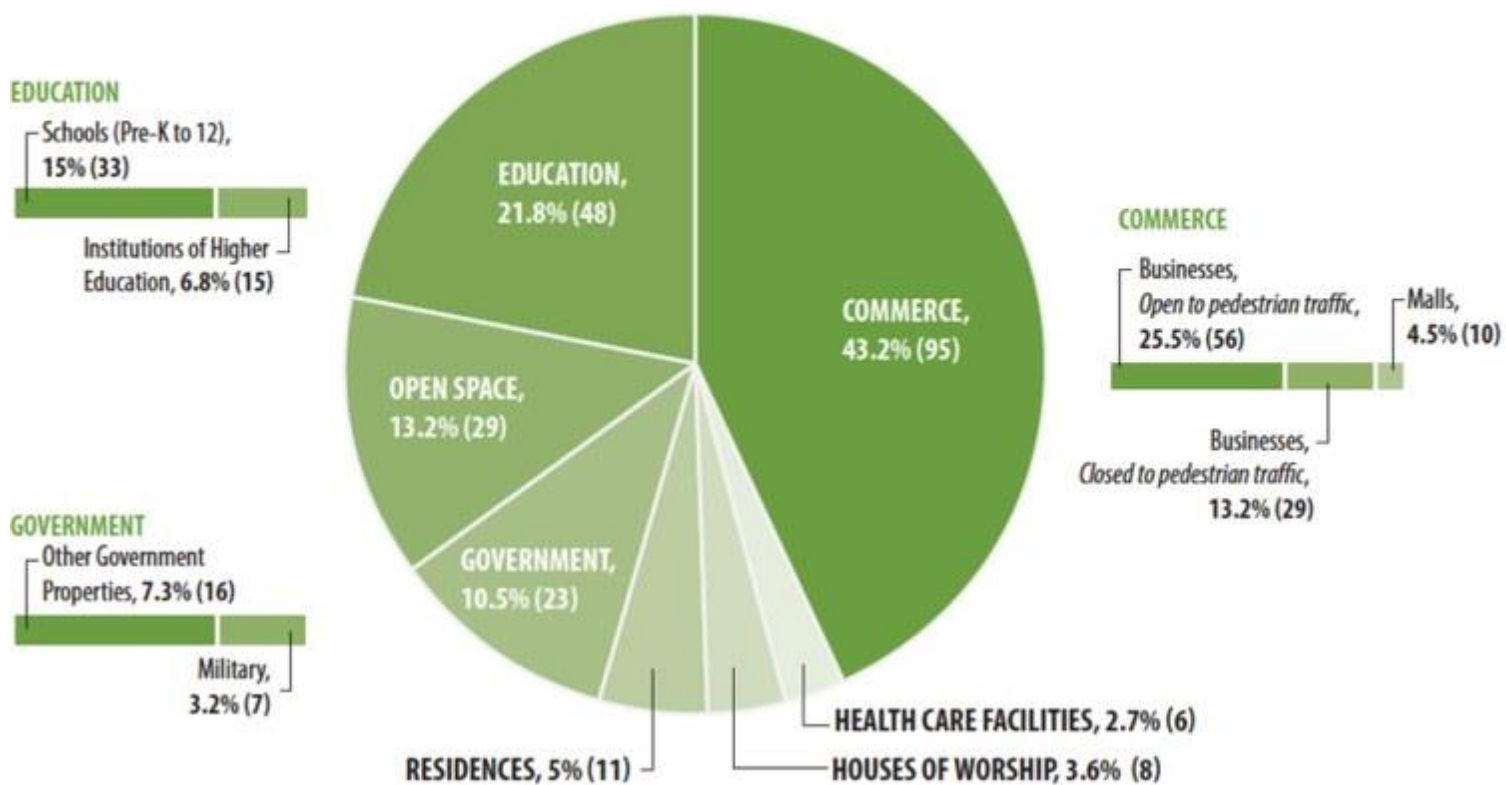
- Attack Resistant Solutions provided by ASSA ABLOY are either a complete opening or retrofit solution intent on delaying access to an attacker and suppressing unauthorized entry until first responders are able to arrive.
 - **Complete Solution:** Combining specific standard doors, frames and hardware products with School Guard Glass™ creates a complete opening with glazing designed for protection now with fire ratings up to 90 min.
 - **Retrofit Solution:** Utilizing specific light kits for existing wood or metal doors and School Guard Glass™ creates a robust retrofit glazing solution to delay access from intrusion. Glass for retrofitting existing sidelights and borrowed light are also available.
- These products has been tested according to the 5-aa10 test standards based on the FBI's Active Shooter Report to set standards for forced entry for new construction, specifically hollow metal doors, frames, hardware, structures and systems.
- The door or glass will not stop a bullet. However, the opening or glass will not weaken and will stay intact if shot at and physically attacked for at least 4 minutes.



- ASSA ABLOY has formed a strategic partnership with School Guard Glass™ to produce Attack Resistant Solutions.
- Exclusive agreement to supply School Guard Glass™ for hollow metal door openings.
- SG5™ is a laminated glass product consisting of outer layers of glass with a custom security, heat strengthened, chemically bonded core. The patent pending SG5™ core reacts to physical abuse like metal and will bend, but will not tear or rip like other security products.
- Non fire rated weight = 4.6 lbs. per sq/ft
- Fire rated weight = 13.8 – 22.2 lbs. per sq/ft

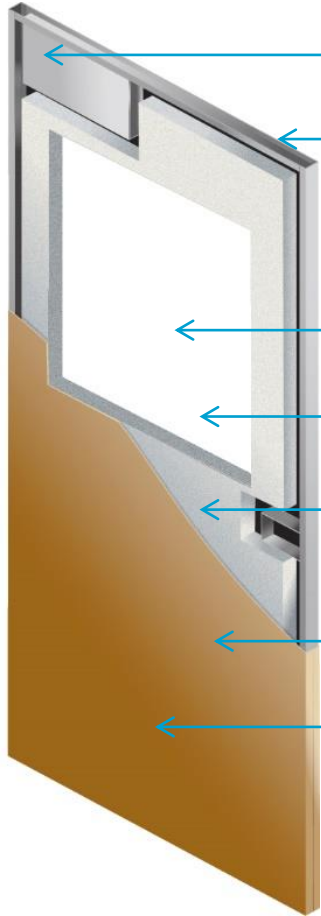


Quick Look: 220 Active Shooter Incidents in the United States Between 2000 - 2016
Location Categories



Source: Federal Bureau of Investigation, 2017





• 14 Gauge closer reinforcement (optional)

• 16 Gauge top (and bottom) end channel

• Non fire rated glass kit and glazing: Factory installed Type 2 or 4881 flush molding with 20 gauge surround and 5/8" wide pocket used for School Guard Glass SG5™ for narrow light and half glass sizes

• Fire rated glass kit and glazing: Factory installed Type 8 kit with Fire Rated School Guard Glass SG5™ 20-45 min: 1-3/8" pocket, 60 min: 1-1/2" pocket and 90 min: 2-1/16" pocket for narrow light and half glass sizes

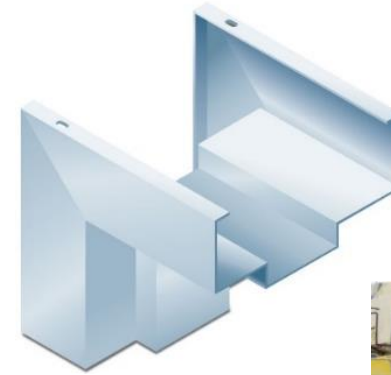
• Polystyrene, polyurethane or honeycomb core – Fire rated up to 90 minutes

• 16 Gauge face skins bonded to core

• Prefinish paint available



- 16 Gauge hollow metal in-swing or out-swing configuration
 - Available series: Ceco SU/SQ/BU/BQ or Curries M/CM/G/CG
- Three-sided frames available knocked down or welded
- Sidelights and borrowed lite frames welded only
 - Sidelights from 6" – 47" (width) x 10" – 92-3/4" (height)
 - Horizontal borrowed lights from 3" – 95" x 10" – 47"
 - Vertical borrowed lights from 3" – 47" x 10" – 95"
- Fire ratings available up to 90 minutes (Sizes may vary per fire rating)
- Two category winner of the 2019 Secure Campus awards from Campus Security & Life Safety Magazine



- Lock Options

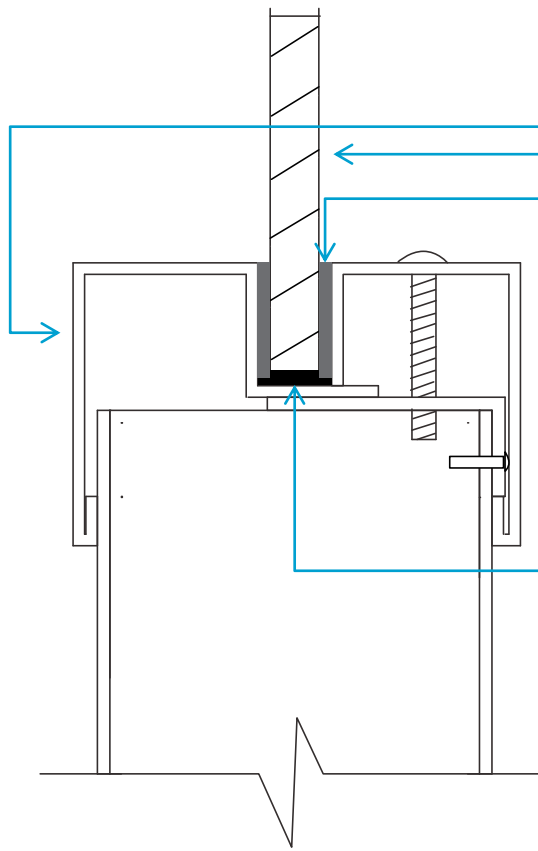
- SARGENT 8200 Series mortise lock with latchbolt, deadbolt and LS escutcheon
- Corbin Russwin ML2000 Series mortise lock with latchbolt, deadbolt, VR (Vandal Resistant) escutcheon and Lever Trim*
- Yale SL8800 Series mortise lock with latchbolt, deadbolt, SL (Security) escutcheon and Lever Trim*

*equivalent hardware not tested

- Hinges Options

- 3 or 4 each 4-1/2 x 4-1/2" standard weight McKinney hinges
- Pemko steel continuous hinge





- Attack Resistant Retrofit Kits for installation into existing metal or wood doors to delay access from intrusion
 - Type 2 light kit (shown) for existing hollow metal doors or Type 10 light kit for existing wood doors
 - School Guard Glass SG5 attack resistant glass*
 - Dow 995 silicone glazing compound*
 - Tremco 440 butyl tape to be applied to the glass kit interior and exterior sides*
 - *Glass and glazing ships from a separate location
- Standard visible sizes listed below. Custom sizes available (min of 3 sq. ft.)
 - Vision: 10"x10" and 12"x12",
 - Narrow light: 3"x33", 4"x24", 4"x25", 5"x20", 6"x16", 6"x24", 6"x30" and 6"x36"
 - Half glass: 23 13/16"x28", 23 13/16"x32" and 23 13/16"x34" (Type 2 kit sizes shown)
- Attack Resistant Retrofit Kit installation instructions will be provided with each glass shipment



- Attack Resistant SG5™ Glass for Existing Sidelights and Borrowed Lights
 - Dow 995 silicone glazing compound and Tremco 440 butyl tape shipped with the glass
- Sidelight glass size
 - 6" x 10" – 47" x 92.75"
- Borrowed Light glass size
 - 3" x 10" – 95" x 47" glass horizontal oriented
 - 3" x 10" – 47" x 95" glass vertical oriented
- Custom sizes available (3 sq ft min)
- School Guard Attack Resistant Glass and installation components are third party tested per 5-aa10; however, please be aware that existing doors, frames, or hardware may not have been tested to this standard



- Test 5-aa10 – Certification Standards for Reinforcing and Testing of Standard Doors, Frames, Glass and Hardware
 - 30 Shots of 7.62 mm ammunition fired at glass in door
 - 30 Shots of 7.62 mm ammunition fired at glass sidelight
 - 30 Shots of 7.62 mm ammunition fired at door and hardware
 - 4 Minute attack by single assailant using various hand tools
- ASTM C1036 – Standard Specification – Flat Glass
- ASTM C1172 – Standard Specification for Laminated Architectural Flat Glass
- ANSI Z97.1 Safety Materials Used in Buildings
- UL 972 – Standard for Burglary Resisting Glazing Material
- [Link to video of actual test footage](#)



Benefits

- Effectively hardens all doors in a facility at nominal costs. Level 1-3 Bullet Resistance can't stop rifle shots, and level 4-8 requires new doors with oversized glass, the Attack Resistant Solutions allows the opening to be economically hardened while creating enough delay for first responders to respond.
- In an emergency situation involving an armed attacker, every second matters. Attack Resistant Solutions provide at least 4 minutes of resistance to physical attack along with up to 90 minute fire ratings.
- Attack Resistant Retrofit solution is the ideal product to upgrade existing facilities. It is a far superior solution compared to security films, and more cost-effective than bullet resistant glass. Additionally, it's 98% optically clear with a thickness of just 7/16".
- Meets test standards for forced entry and ballistic resistant levels of protection for various threats set forth based on the FBI's Active Shooter Report.
- Although the glazing will not stop a bullet from penetrating the opening, the proprietary glass will not shatter resulting in increased time for occupants to clear the area and seek shelter.
- Hollow metal doors can be ordered with finish color options and fire ratings to accommodate various interior and exterior openings (class rooms, offices, band rooms, cafeterias, etc.).
- Winner of Campus Security & Life Safety's 2019 Secure Campus awards in two categories, fire/life safety and lockdown & physical security.



- [FAST FACTS](#)
- [Promo Sheet](#)
- [FAQ](#)
- [Tech Sheets](#)
- [Test Video](#)

- Contacts
 - High Performing Specialty Team
 - [Marc Stroot](#) 218-828-6256 ext:3294
 - [Howard Schrier](#) 203-492-3385
 - Samples
 - [Lori Stewart](#) 641-494-2775
 - School Guard Glass
 - [Matt Jacobsohn](#) 512-751-8452

Fleming
Door Products
ASSA ABLOY

ASSA ABLOY, the global leader
in door opening solutions

Fast Facts

What you need to know

Attack Resistant Door Opening

Now fire rated up to 90 minutes!
In-swing and out-swing available!

Every second matters!

In an emergency situation involving an armed attacker, the attack Resistant Opening provides at least 4 minutes of resistance to ballistic and physical attack.

Testing:
Standard fire resistance and testing of Standard Wood and Hollow Metal Doors, Frames, Cases and Hardware – 30 shots, 7.62 mm fired at glass and 30 shots fired at door hardware. 30 shots fired at a walk light glass in 45° angle. Door then remained closed after over 4 minutes of attack by single assailant using hand tools of various types as allowed in test.



Single assailant firing a Level 3 - 7.62 mm rifle

Note:
Although the glazing, door, or hardware will not stop a bullet from penetrating, the door's frame and opening will not weaken and become vulnerable during the attack.



90

Shots fired at the Assembly (on door and hardware)

4+

Minutes resistance from a physical attack

New or Retrofit

Construction



- Retrofit [FAST FACTS](#)
 - Retrofit [Promo Sheet](#)
 - Retrofit [FAQ](#)
 - Retrofit [Tech Sheets](#)
 - Retrofit Installation instructions
 - [Retrofit Light Kits](#)
 - [Retrofit Frame Glass](#)
 - [Retrofit Video](#)
- Contacts
 - High Performing Specialty Team
 - [Marc Stroot](#) 218-828-6256 ext:3294
 - [Howard Schrier](#) 203-492-3385
 - Samples
 - [Lori Stewart](#) 641-494-2775
 - School Guard Glass
 - [Matt Jacobsohn](#) 512-751-8452

Fast Facts


 ASSA ABLOY
ASSA ABLOY, the global leader in door opening solutions.

What you need to know

Attack Resistant Retrofit Kits and Glazing

Every second matters!

In an emergency situation involving an armed attacker, the Attack Resistant Retrofit Kits and Glazing provides at least 4 minutes of resistance to ballistic and physical attack.



60

Seconds that the assembly resists fire and contains a space.

4+

Minutes of resistance from a physical attack.

Retrofit

Existing metal or wood doors, windows and basement light wells.

Testing:
 Standards for Reinforcing and Testing of Standard Wood and Hollow Metal Doors, Frames, Glass and Hardware – 30 shots (7.62 mm) fired in alternate hit and gaps. 30 shots fired at alternate glass in 20x40 areas. Although ballistics penetration the Attack Resistant Glass is remained in place to prevent access after 4 minutes of attack by single assailant using hand tools of various types as allowed in test.


 Single round rifle firing a Level 3 – 7.62 mm rifle.

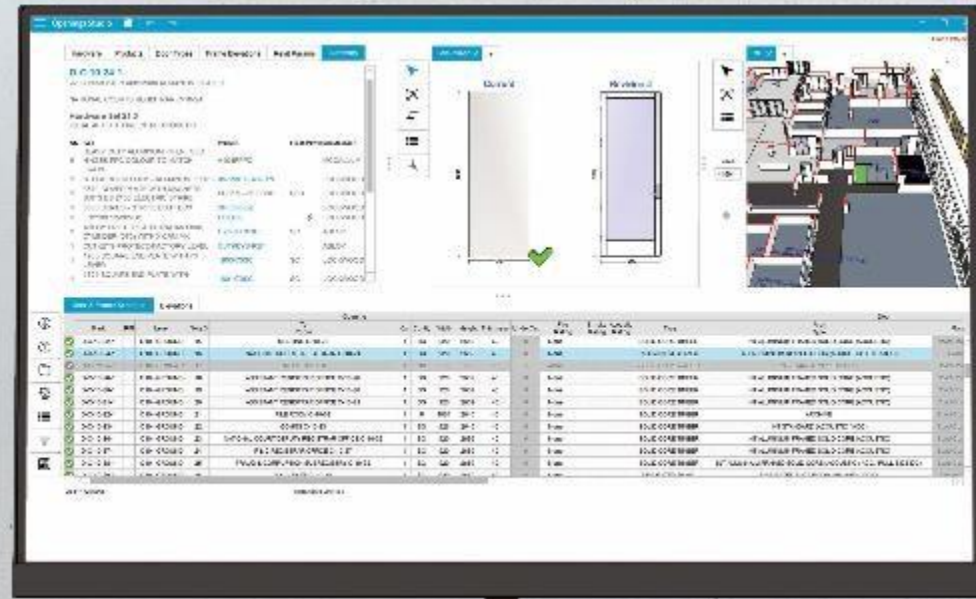
NOTE: Although bullets will penetrate the Attack Resistant Glass and KIT it will remain in place and not become vulnerable during an attack.

The Attack Resistant Retrofit solution is the ideal product to upgrade existing facilities. It is a far superior solution compared to security films, and more cost-effective than bullet resistant glass. Additionally, it's 98% optically clear with a thickness of just 7/16".



Internal

ASSA ABLOY



Thank you
assaabloydss.com