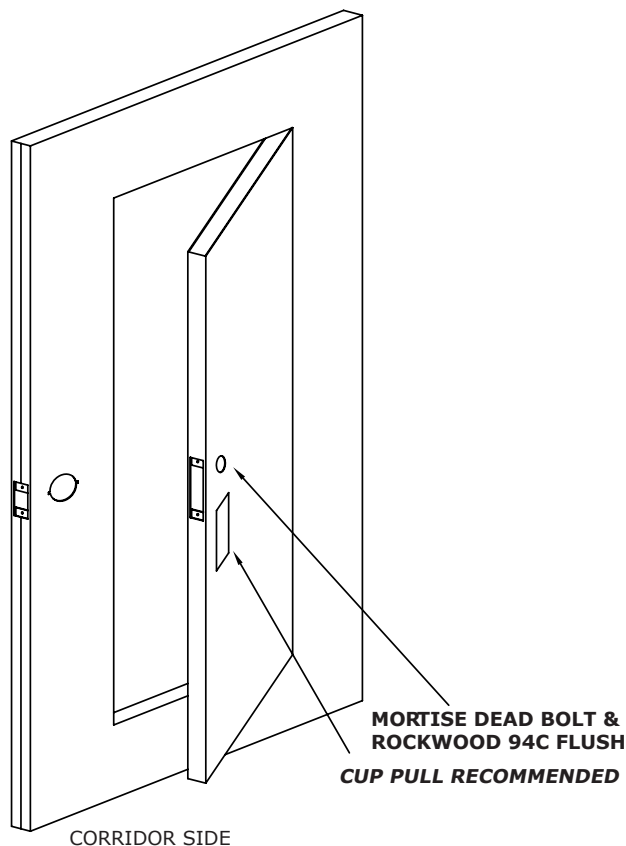


BEHAVIORAL HEALTHCARE PATIENT ROOM ACCESS

FULL FLUSH DESIGN BEVELED LOCK EDGE, HANDED



*PATIENT ROOM ACCESS DOOR (BH-S) WITH POLYSTYRENE CORE
(OPTIONAL HONEYCOMB OR STEEL STIFFENED CORE)*

*PATIENT ROOM ACCESS DOOR (BH-SC) WITH CUSTOM SIZE ACCESS
DOOR AND POLYSTYRENE CORE (OPTIONAL HONEYCOMB OR STEEL
STIFFENED CORE)*

The Patient Room Access Door has the security and dependability required for healthcare facilities, yet is beautiful enough for healing environments. Intended to give caretakers or an authorized person access to patient's room in case of an emergency and maintain the security needed for the facility.

The main door has the functionality of a standard in-swing patient room door. The inner access door can open to the corridor giving authorized personnel quick access to the patient's room. The anti-ligature design of the door is a key feature of the construction.

Maximum 45 minute (Warnock Hersey) fire rating is available with steel stiffened core only.

FRAME REQUIREMENTS:

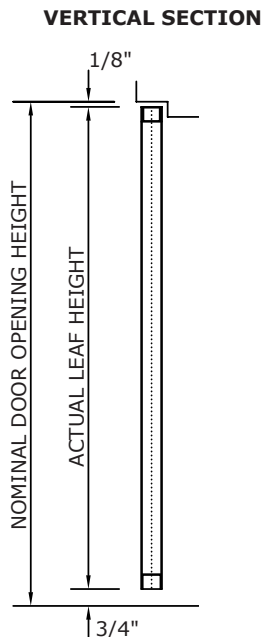
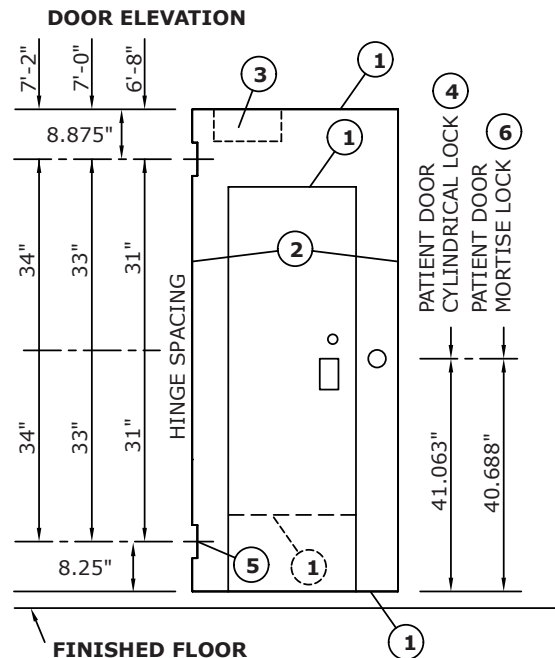
Minimum 16 gauge, KD or welded, masonry or drywall. Slip on drywall frame with adjustable plumb anchor is not allowed.

SUGGESTED USE:

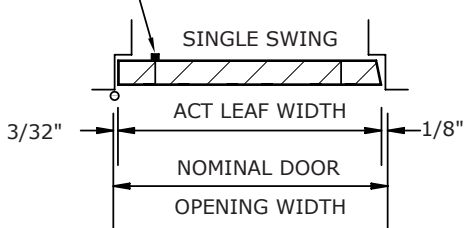
- Behavioral Health Units
- Patient Room Doors
- Psychiatric Facilities
- De-Escalation Rooms
- Assisted Living Facilities
- Nursing Homes
- Correctional Facilities

(CONVERSION: 1" = 25.4 MM, E.G., 1-3/4" = 44.45 MM)

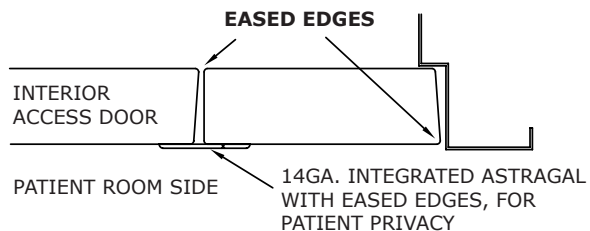
HARDWARE LOCATIONS SHOWN MATCH STANDARD FRAMES.



HORIZONTAL SECTION
PEMKO CFMSLF-HD1 ATTACHED CONTINUOUS HINGE



DOOR CONDITION SHOWN



1 16 GAUGE STEEL END CHANNELS
INVERTED TOP AND BOTTOM CHANNELS
TOP CAP IS STANDARD ON PATIENT DOOR

OPTIONAL - TOP CAP AVAILABLE ON ACCESS DOOR
OPTIONAL - BOTTOM CAP IS AVAILABLE

2 VERTICAL EDGES PATIENT & ACCESS DOOR

WELDED EDGE SEAM (STANDARD FOR PATIENT DOOR)
VISIBLE EDGE SEAM (STANDARD FOR PATIENT DOOR)
VISIBLE FILLED OR WELDED (OPTIONAL FOR BOTH)

3 CLOSER REINFORCEMENT (OPTIONAL)

14 GAUGE STEEL CHANNEL WELDED TO END CHANNEL

5 HINGE PREPARATION (PATIENT DOOR)

STANDARD 14 GAUGE HINGE CHANNEL
OPTIONAL 12 GAUGE HINGE CHANNEL
FIRE RATED 12 GAUGE HINGE CHANNEL

4-1/2" OR 5" HIGH, STANDARD OR HEAVY WEIGHT, FULL MORTISE HINGE

ANSI A156.7 TEMPLATE
HINGE EDGE IS HANDED AND NOT BEVELED.

6 LOCK PREPARATION MORTISE TYPE
1/8" IN 2" (1:16)

14 GAUGE LOCK CHANNEL

(LM1) (ANSI A115.1) 2-3/4" BACKSET
(LM0) SIMILAR TO DETAIL LESS FACE CUTOUT

LOCK EDGE IS BEVELED

4 LOCK PREPARATION CYLINDRICAL TYPE

14 GAUGE LOCK CHANNEL

(LC1) (ANSI A115.2) 2-3/4" BACKSET

(CONVERSION: 1" = 25.4 MM, E.G., 1-3/4" = 44.45 MM)

**STANDARD SIZES
NOMINAL DOOR
OPENING**

WIDTH	HEIGHT
SINGLE	
3'-0"	6'-8"
3'-4"	7'-0"
3'-6"	7'-2"
3'-8"	
3'-10"	
4'-0"	

FIRE DOORS

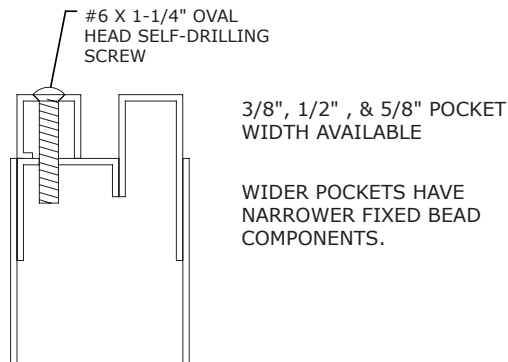
LABELING AGENCIES :
WARNOCK HERSEY
TEST: UL10C, NFPA252
CAN4-S104
RATING: 20 MIN. & 3/4 HR.
MAX. SIZE: 4'0" X 7'2"
FRAME REQUIREMENTS: MIN.
16 GA. KD OR WELDED IN
MASONRY OR DRYWALL
(COMPRESSION ANCHORS NOT
ALLOWED)

GLASS LITE KITS ARE AVAILABLE

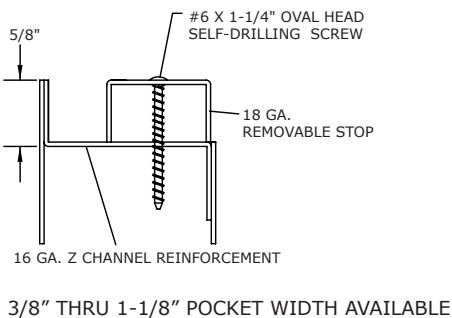
FIRE RATED & NON-FIRE RATED
TYPE 11 (STANDARD) TYPE 7 AND 4 (OPTIONAL)

OPTIONAL 20 OR 45 MINUTE (WARNOCK HERSEY) FIRE
RATED VISION LITE, UP TO 216 SQ. INCHES OF VISIBLE
GLASS, WITH A MAX. HEIGHT OF 36" AND MAX. WIDTH
OF 10".

NOTE: SPECIFY IF REMOVABLE STOP ON EXTERIOR
(CORRIDOR)



TYPE 4 KIT
FOR GLASS OVER 1/2" THRU 1"



MATERIAL

DOOR SERIES	DOOR FACE SHEETS	LEVEL	C.R.	GALV		RECOMMENDED DOOR FRAME MATERIAL
				A60	G90	
BH-S, BH-SC	ENTRY: 14 GAUGE REQUIRED ACCESS: 18 GAUGE REQUIRED	EXTRA HEAVY DUTY	STD	OPT	OPT	16 OR 14 GAUGE STEEL

PRODUCT SPECIFICATIONS:

PATIENT ROOM ACCESS doors are center seam design. Face sheets are commercial quality cold rolled steel (conforming to ASTM A1008... or (optional) hot-dipped galvanized or galvanized steel (conforming to ASTM A924 and A653) - see chart below.

Face sheets are joined at their vertical edge with a welded and filled edge seam (standard). 14 gauge hinge and lock vertical edge channels are standard, with an option for 12 gauge. Door is polystyrene core, with honeycomb core or steel stiffened as options. Top and bottom door edges are closed with 16 gauge steel channels welded to both face sheets. A 14 gauge integrated astragal surrounds the access door opening on patient room side of door. A maximum 45 minute (Warnock Hersey) fire rating is available with steel stiffened core and 12 gauge hinge channel.

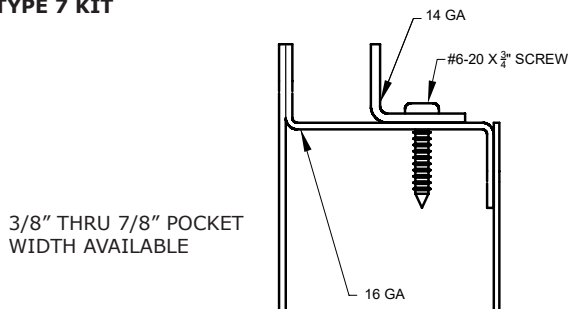
Standard size of access door is 1'8" x 5'0" with custom sizes available.

Frame Requirements: Minimum 16 gauge, KD or welded, Masonry or drywall. Slip on drywall frame with adjustable plumb anchor not allowed.

Hardware Provisions: Hinge preparations of the patient outer door are handed. The hinge edge is square. Hinge edges of the patient outer door are mortised for 4-1/2" or 5" high, standard or heavy weight hinges. 12 or 14 gauge steel channels are welded inside the door edge and are drilled and tapped for fasteners in accordance with ANSI A156.7. The lock edge has a standard bevel (1: 16). Lock edge is prepared for mortise or cylindrical locks in accordance with ANSI standards. Optional closer reinforcement is a 14 gauge steel channel. The smaller "access door" is attached with a PEMKO CFMSLF-HD1 (standard) or a stainless steel Markar FM300 (optional) continuous hinge. Lock edge of the smaller "access" door is prepared for locks as specified. Flush cup and mortise deadbolt are recommended hardware for access door. Patient room door hardware is as specified.

Paint: 1-3/4" steel doors shall be provided with one coat of oven-cured neutral color primer paint. Primer coat shall conform with ANSI A250.10. The primer coat is a preparatory base for necessary finish painting.

TYPE 7 KIT



(CONVERSION: 1" = 25.4 MM, E.G., 1-3/4" = 44.45 MM)