

Medeco XT

Corbin Russwin Large Format Interchangeable Core (LFIC)

medeco
ASSA ABLOY

Experience a safer
and more open world



Medeco XT

Corbin Russwin Large Format Interchangeable Core (LFIC)

The Medeco XT Corbin Russwin LFIC is a direct retrofit for its mechanical counterpart. It can be installed in seconds using an XT Control Key (standard User key programmed for Control). Because of its retrofit design and use of existing hardware, there is almost no business disruption during installation. The Medeco XT Corbin Russwin LFIC is ideal for loss and liability management. It lets you respond quickly to security threats, lost or stolen keys, or personnel changes without the added cost of changing your locks and keys.

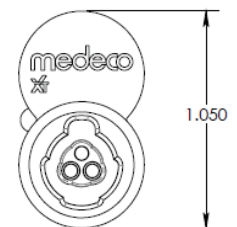
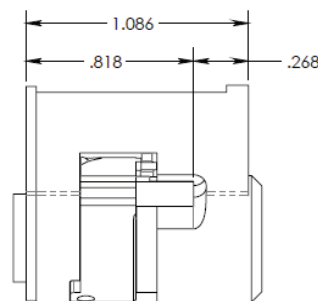
Medeco XT is a complete electronic locking system providing controlled access, accountability, physical security, and system management with no wiring requirements. Cylinders are available in many popular lengths to fit nearly any application in office, business and retail uses.

Lock / Cylinder Features

- Patented electronic removal process using an XT Control key
- Indoor / outdoor use—stainless steel shell construction
- 2,000 audit events
- Unauthorized key list
- No wiring required—all power provided by the key

Warranty:

Medeco Security Locks warrants Medeco XT products to be free of defects in material and/or workmanship for a period of two (2) years from date of original purchase (except where noted).



AUDIT ACCOUNTABILITY

Audit information recorded in both the lock and key show a time-and-date-stamp record of every access and unauthorized access attempts.

USES EXISTING HARDWARE

Medeco XT key provides all power to the cylinder, eliminating the need for any hardwiring or power supply. Simply remove the existing mechanical cylinder and install the Medeco XT cylinder.

REDUCES RISK OF LOST KEYS

Respond quickly to security threats, lost or stolen keys, or personnel changes without the added cost of changing out locks and keys.

ELECTRONIC SCHEDULING

Keys are electronically programmed to open specific locks during a designated schedule. Schedules may contain an expiration date to disable the key until it is audited and reprogrammed.

DATA ANALYTICS

The Visual Audit feature of Medeco XT Web manager software converts audit data into a simple graphic dashboard. The 'Glances' display consists of several mini-dashboards that provide insight into your system configuration and audit events. Security Administrators can see access trends and irregularities at a glance!

Description	Part Number
Corbin Russwin 6, 7 Pin LFIC	32G2301

www.medeco.com

Medeco USA Customer Service: 1 877 633 3261

Medeco Canada Customer Service: 1 888 633 3264

Medeco is a brand associated with the ASSA ABLOY High Security Group, Inc., an ASSA ABLOY Group Company. Copyright ©2019, ASSA ABLOY High Security Group, Inc. All rights reserved. Reproduction in whole or in part without the express written permission of ASSA ABLOY High Security Group, Inc., is prohibited.

LT-922151-10 Rev 1