

# 4400 Series Door Closer

Models PR4400, PR4410, 4420 and 4420T

Parallel Rigid Arm & Holder Stop, Non-Hold Open or Hold Open

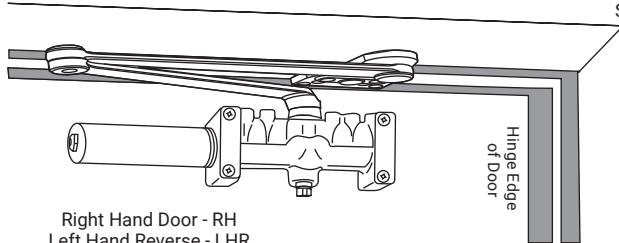
## Installation Instructions

# ACCENTRA

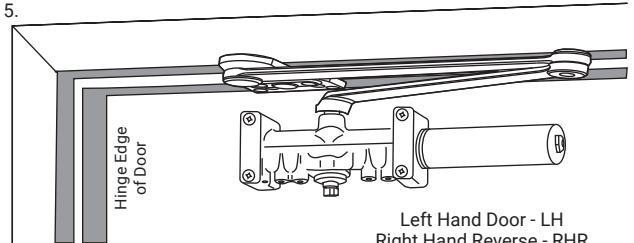
# ASSA ABLOY

### Standard Frame

Closer mounts on opposite of hinge (push) side of door.  
PR4400 Parallel Rigid Non-Hold Open Arm illustrated.  
See pages 4 and 5.



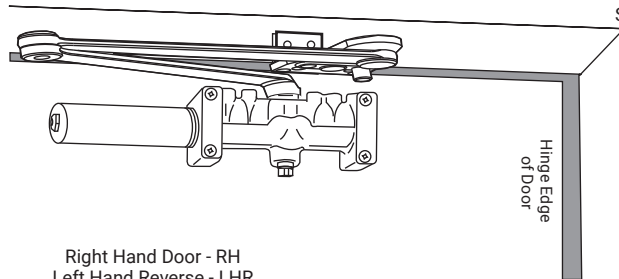
Right Hand Door - RH  
Left Hand Reverse - LHR



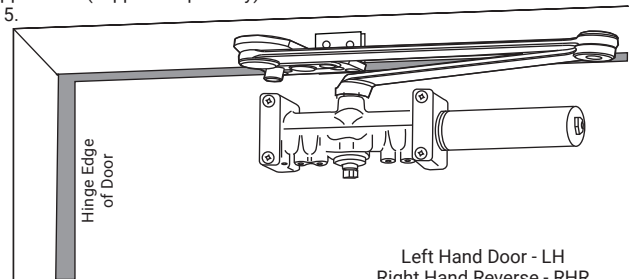
Left Hand Door - LH  
Right Hand Reverse - RHR

### Narrow Frame

Closer mounts on opposite of hinge (push) side of door. 4420 Holder Stop arm illustrated.  
6890 and 6891 accessories required for this application (supplied separately)  
See pages 4 and 5.



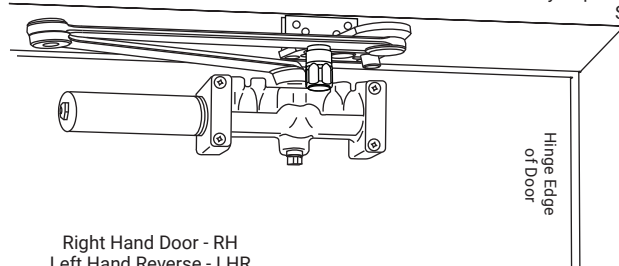
Right Hand Door - RH  
Left Hand Reverse - LHR



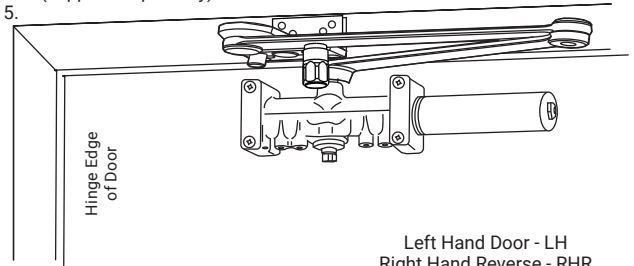
Left Hand Door - LH  
Right Hand Reverse - RHR

### Flush Partition

Closer mounts on opposite to hinge (push) side of door. 4420T Holder Stop arm with Thumbturn Hold Open illustrated.  
2019L accessory required for this application (supplied separately).  
See pages 4 and 5.



Right Hand Door - RH  
Left Hand Reverse - LHR



Left Hand Door - LH  
Right Hand Reverse - RHR

**NOTE:** For special applications, a separate door and frame preparation template is packed with these instructions. Use this instruction sheet for installation sequence and closer adjustments only.

#### Additional Closer Options:

- "DL" indicates Delayed Closer Action.
- "T" indicates Thumbturn actuated Hold Open control.
- Hold Open function components are handed.

#### Optional Accessories:

- 488 Drop Plate
- 293L, 890, and 891 Soffit Plate Accessories

### ⚠ WARNING

This product can expose you to lead which is known to the state of California to cause cancer and birth defects or other reproductive harm. For more information go to [www.P65warnings.ca.gov](http://www.P65warnings.ca.gov).

### ⚠ WARNING

Attention Installer: Any retrofit or other field modification to a fire rated opening can potentially impact the fire rating of the opening, and ASSA ABLOY makes no representations or warranties concerning what such impact may be in any specific situation. When retrofitting any portion of an existing fire-rated opening, or specifying and installing a new fire-rated opening, please consult with a code specialist or local code official (Authority Having Jurisdiction) to ensure compliance with all applicable codes and ratings.

855-557-5078 x 2 • [www.accentra-assaabloy.com](http://www.accentra-assaabloy.com)

Copyright © 2003, 2011, 2024, ASSA ABLOY ACCENTRA™ Access and Egress Hardware Group, Inc. All rights reserved. Reproduction in whole or in part without the express written permission of ASSA ABLOY Access and Egress Hardware Group, Inc. is prohibited.

80-9344-2205-010 Rev 3 05/24

Experience a safer  
and more open world

### Components

293S Block (provided)

### Optional Accessories

**891 Spacer**  
(For Blade Stop)

**890 Bracket**  
(For Narrow Frame or Blade Stop)

**293L Bracket**  
(For Flush Partition)

### Arm Options

Riveted Elbow  
**PR Arm Assembly**

Removable Stop  
Riveted Elbow  
**Holder Stop Arm Assembly Stop Only**

Friction Hold Open Nut  
Riveted Elbow  
**PR Hold Open Arm Assembly**

Removable Stop  
Thumbturn Hold Open  
Riveted Elbow  
**Holder Stop Arm Assembly with Thumbturn**

### Cover Options

2 Cover Screws  
**Plastic Cover (Standard)**

2 Cover Screws  
**Metal Cover (Optional)**

Preparation for Fasteners			
	Fasteners	Door or Frame	Drill-Sizes
Standard	Self-Drilling Screw 1/4"-20 Machine Screw	Aluminum or Metal	No Drill Required
		Wood (see Note)	3/16" (4.30mm); pilot hole required
Optional	Sleeve nuts and bolts	Hollow Metal	9/32" (7mm) through; 3/8" (9.5mm) door face opposite of closer
		Aluminum or Wood	3/8" (9.5mm) through
	Through-bolts and grommet-nuts	All	9/32" (7mm); 3/8" (9.5mm) dia. x 3/8" (9.5mm) deep on door face opposite of closer

**NOTE:** Pilot hole must be drilled when using self-drilling screws on wood doors and frames.

# Models PR4400, PR4410, 4420 and 4420T

## Parallel Rigid Arm & Holder Stop, Non-Hold Open or Hold Open

**ACCENTRA**  
**ASSA ABLOY**

### Installation Sequence

- Select angle of opening and locate the mounting holes.** Using the Installation dimension chart below and the dimensions shown on the templates (page 4 for standard closer installation, page 5 for closer installation with a 488 drop plate, if required), locate the four (4) holes on door for closer body and the five (5) holes on stop/rabbit for Soffit Plate or four (4) holes on frame transom for 293L bracket, (if required).  
For applications not covered in these instructions, a separate template will be required.
- Prepare Holes for Fasteners.** Refer to the Preparation for Fasteners chart.
- Mount Closer to Door.** Mount 488 drop plate if required. Install closer with power adjustment nut toward lock edge of door.  
Valves DOWN for Left Hand Door.  
Valves UP for Right Hand door.
- Set closer power.** Using the Power Adjustment Chart, select closer power according to door size. Use an 11/16" wrench supplied to adjust Power Adjustment Nut, 15 turns maximum. Turn nut **CLOCKWISE** to **INCREASE**, **COUNTER-CLOCKWISE** to **DECREASE** power. See page 6 for the illustration of this step.
- Install Main Arm.** Close valves.  
For Standard Closer - Close valves 'S/D' and 'L'  
For 'DL' Optional Closer - Close valves 'S' and 'L'.  
then turn pinion shaft more than 50° to permit proper alignment of arm mark with pinion flat:  
'Z' for Left Hand Door  
'Y' for Right Hand Door  
See Arm Mounting Detail instructions below.
- Reopen valves closed in previous step.**
- With door closed**, align soffit plate with holes in frame and fasten to frame with screws. Use 293S and/or 891 spacer blocks or 890 reinforcing bracket as required.
- Adjust Closer.** Make adjustments to closer before installing cover. Refer to Adjustments on page 6.
- Install cover.**

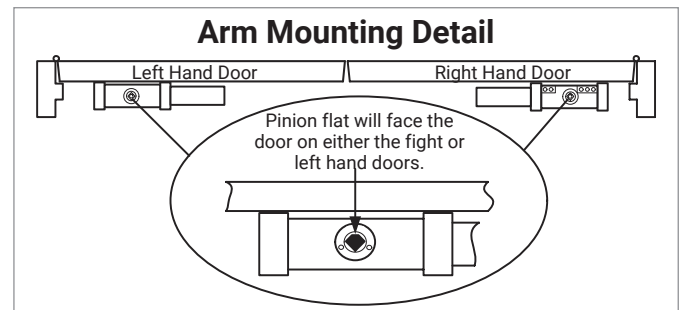
**Power Adjustment Chart**

Maximum Interior Door Size	Maximum Exterior Door Size	Number of Full Clockwise Turns Required
32" (81cm)	28" (71cm)	5
36" (91cm)	34" (86cm)	8-1/2
42" (107cm)	38" (96cm)	11
52" (132cm)	42" (107cm)	13-1/2
60" (152cm)	48" (122cm)	16-1/2

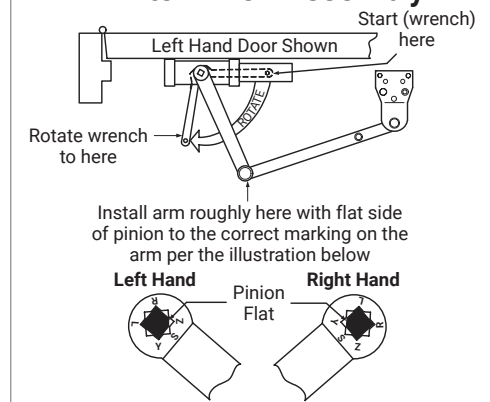
**NOTE:** Maximum of 16-1/2 turns (360°) of Power Adjustment Nut. Closer is shipped set at 8 turns from the factory.

**Installation Dimension Chart**

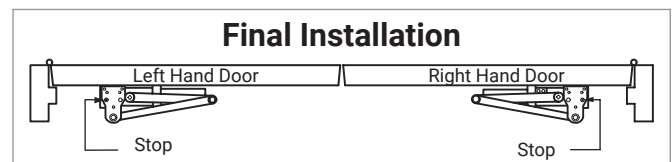
	Dim	Up to									
		90°	91° to 95°	96° to 100°	101° to 105°	106° to 110°	111° to 115°	116° to 130°	131° to 150°	151° to 180°	
PR4400/ PR4410	A	inches (mm)	8-3/4 (222)			7-1/4 (184)			6-1/4 (159)	5-1/4 (133)	
	B	inches (mm)	9-1/4 (235)			7-3/4 (197)			6-3/4 (171)	5-3/4 (146)	
	C	inches (mm)	9-3/8 (238)			7-7/8 (200)			6-7/8 (175)	5-7/8 (149)	
4420/ 4420T	A	inches (mm)	10-1/8 (257)	9-1/4 (235)	8-5/8 (219)	7-7/8 (200)	7-3/8 (187)	6-3/4 (171)			
	B	inches (mm)	10-5/8 (270)	9-3/4 (248)	9-1/8 (232)	8-3/8 (213)	7-7/8 (200)	7-1/4 (184)			
	C	inches (mm)	10-3/4 (273)	9-7/8 (251)	9-1/4 (235)	8-1/2 (216)	8 (203)	7-3/8 (187)			



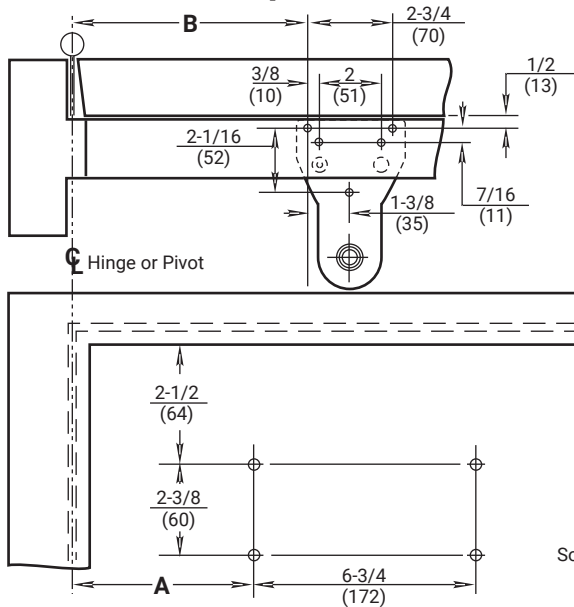
### Arm to Pinion Assembly



### Final Installation



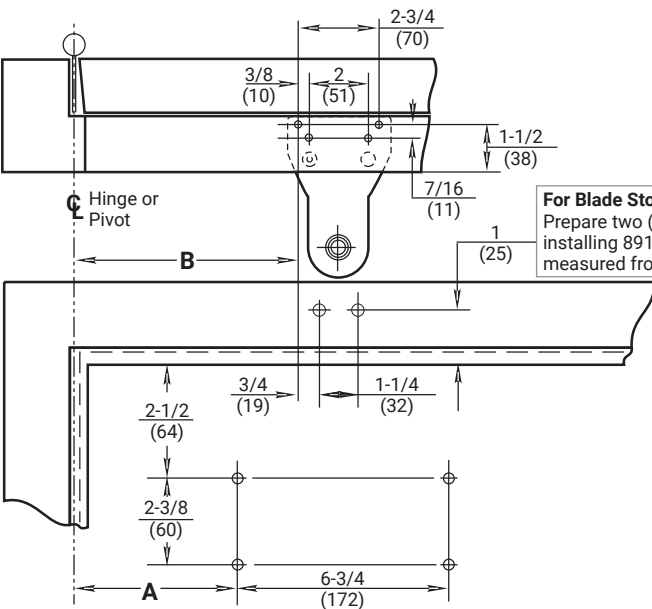
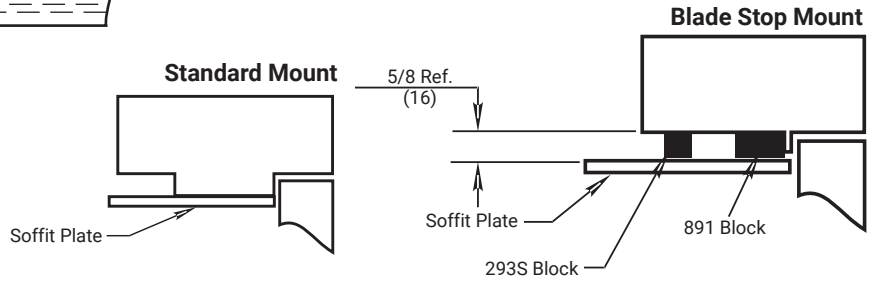
**Installation Templates**



**Standard Frame**

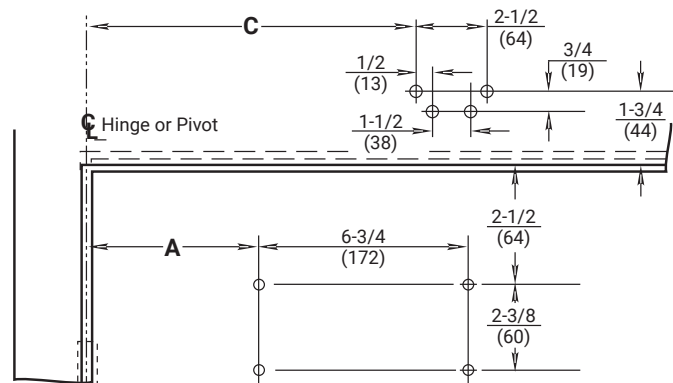
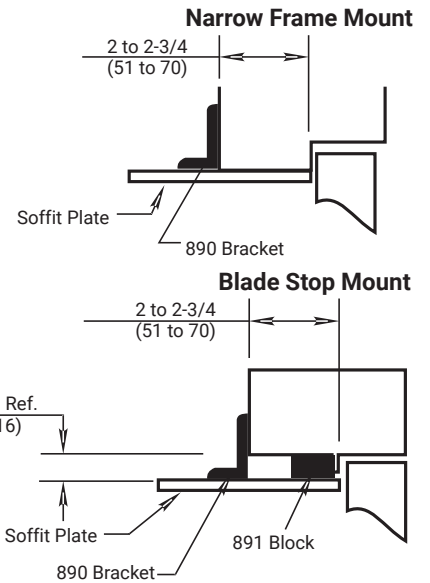
**NOTES:**

- Do Not Scale Drawing
- Left hand door shown
- Dimensions are in inches (mm)
- Same dimensions apply for Right Hand
- Door measured from centerline of pivot point.
- Refer to the "Installation Dimension Chart" on page 3 for A, B, & C dimension values.
- If using the 488 drop plate to mount the closer, refer to page 5 for mounting information.

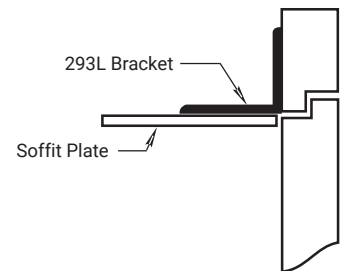


**Narrow Frame**

**For Blade Stop Mounting Only:**  
Prepare two (2) holes for 890 bracket after installing 891 block. The 1 (25) dimension is measured from the bottom of the 891 block.



**Flush Partition**

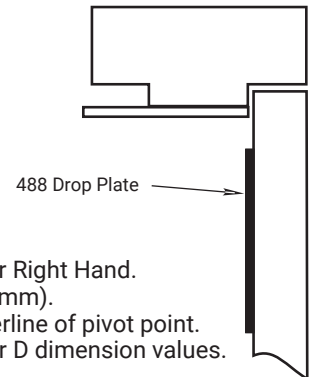
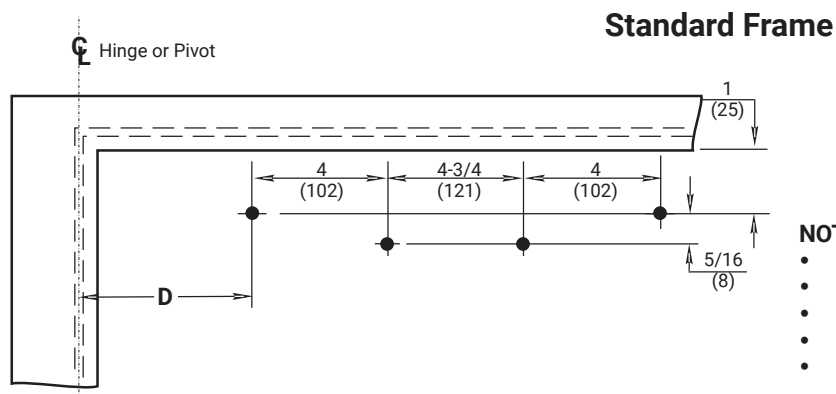


# Models PR4400, PR4410, 4420 and 4420T

## Parallel Rigid Arm & Holder Stop, Non-Hold Open or Hold Open

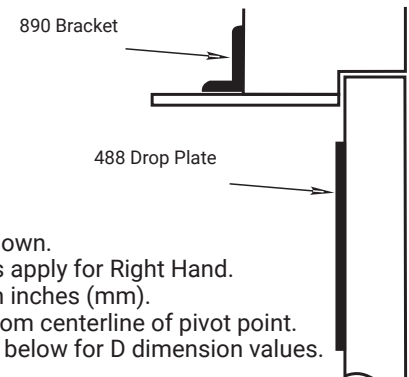
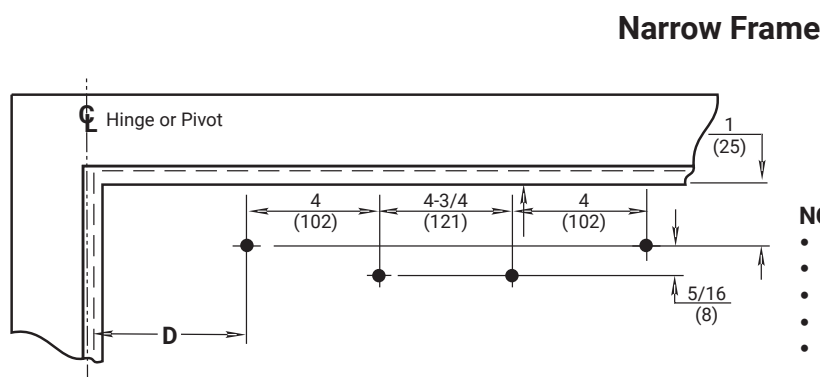
**ACCENTRA**  
**ASSA ABLOY**

### Installation Templates with 488 Drop Plate



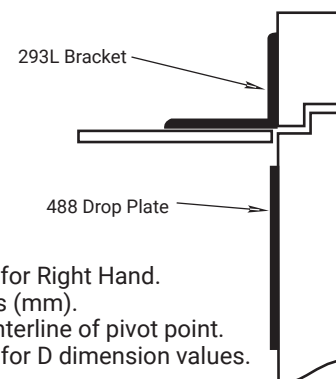
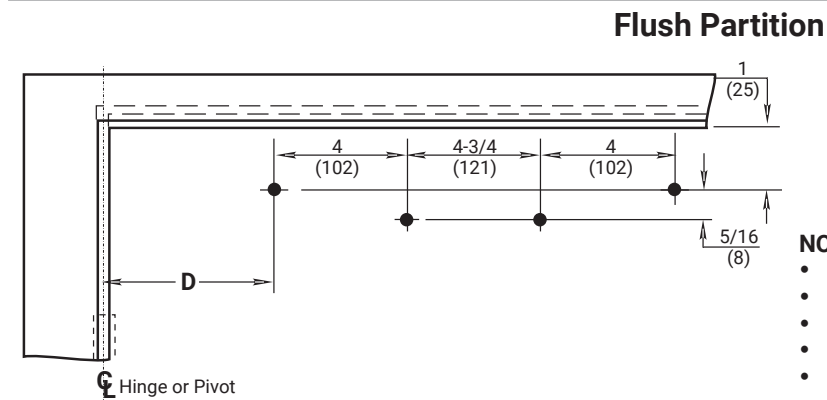
**NOTES:**

- Left hand door shown.
- Same dimensions apply for Right Hand.
- Dimensions are in inches (mm).
- Door measured from centerline of pivot point.
- Refer to the chart below for D dimension values.



**NOTES:**

- Left hand door shown.
- Same dimensions apply for Right Hand.
- Dimensions are in inches (mm).
- Door measured from centerline of pivot point.
- Refer to the chart below for D dimension values.



**NOTES:**

- Left hand door shown.
- Same dimensions apply for Right Hand.
- Dimensions are in inches (mm).
- Door measured from centerline of pivot point.
- Refer to the chart below for D dimension values.

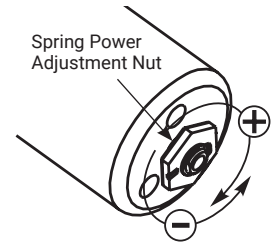
Installation Dimension Chart-488 Drop Plate										
	Dim	Up to 90°	91° to 95°	96° to 100°	101° to 105°	106° to 110°	111° to 115°	116° to 130°	131° to 150°	151° to 180°
PR4400/ PR4410	D	inches	8-1/2 (216)		7 (178)			6 (152)	5 (127)	
		(mm)								
4420/ 4420T	D	inches	9-7/8 (251)	9 (229)	8-3/8 (213)	7-5/8 (194)	7-1/8 (181)	6-1/2 (165)		
		(mm)								

## Adjustments

### Closing Power Control

To adjust closer power, install closer per instructions with proper pre-load applied to arm then adjust spring power. Refer to the Power Adjustment Chart on page 3 for power settings.

Use the 11/16" wrench to turn power adjustment nut:  
 Clockwise to increase power  
 Counter-clockwise to decrease power



**NOTE:** Power adjustment will not work properly if closer spring is not pre-loaded.

### Closing Speed Control

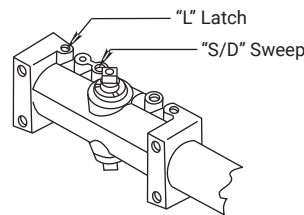
#### Standard Closer Only

- Valve "L" controls door speed in Latch range.
- Valve "S/D" controls door speed in Sweep range.

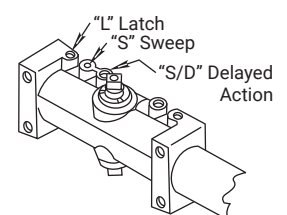
#### Delayed Action Closer Only

- Valve "L" controls door speed in Latch range.
- Valve "S" controls door speed in Sweep range.
- Valve "S/D" controls door speed in Delay range.

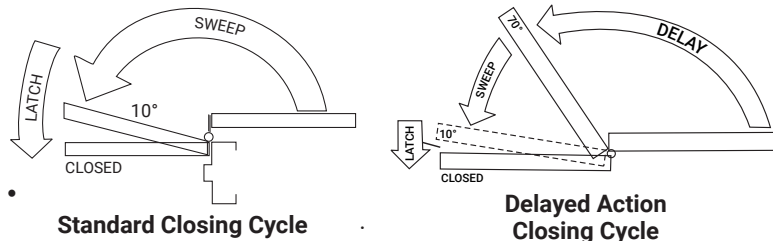
**ATTENTION:** Adjust closing speed time to between 3 and 7 seconds from 90°. Use of the door by handicapped, elderly, or small children may require a greater closing time



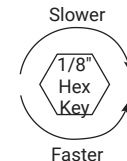
**Standard Closer**



**Delayed Action Closer**



Do not force valves counter-clockwise out of closer body or a fluid leak will occur.

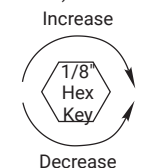
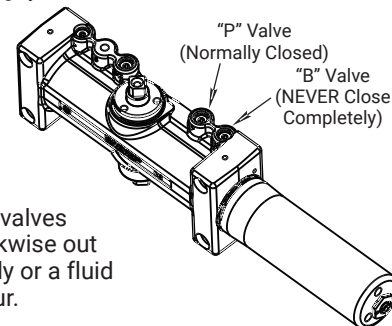


### Opening Door Controls

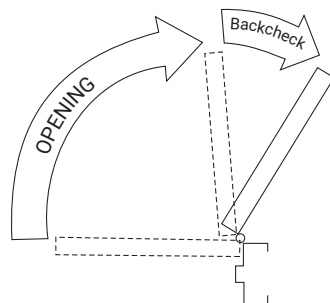
- Backcheck ("B") valve controls the hydraulic resistance to door opening. NEVER close this valve completely – it is not to provide a positive stop.
- Backcheck Position ("P") valve controls the door angle where backcheck cushioning starts. Valve normally closed.

**Backcheck Position ("P" Valve)**  
 Open for backcheck later in door-opening cycle

**Backcheck Cushion ("B" Valve)**



Do not force valves counter-clockwise out of closer body or a fluid leak will occur.

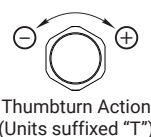


**CAUTION:**  
 Do not back valves out of closer or a leak will result.

**NEVER CLOSE VALVE COMPLETELY:**  
 Not intended to provide a positive stop.

### Thumbturn Hold Open Feature

The Thumbturn Hold Open feature is controlled by the knob located on the arm of the unit. Turning this knob clockwise will engage the Hold Open mechanism and increase the Hold Open force. Turning this knob counterclockwise will reduce the Hold Open force and disengage the Hold Open mechanism.



Thumbturn Action (Units suffixed "T")

### Friction Hold-Open Feature

Hold door open to opening angle desired and tighten holder-adjustment-nut (wrench supplied) or use 1" Box or Open End wrench.

