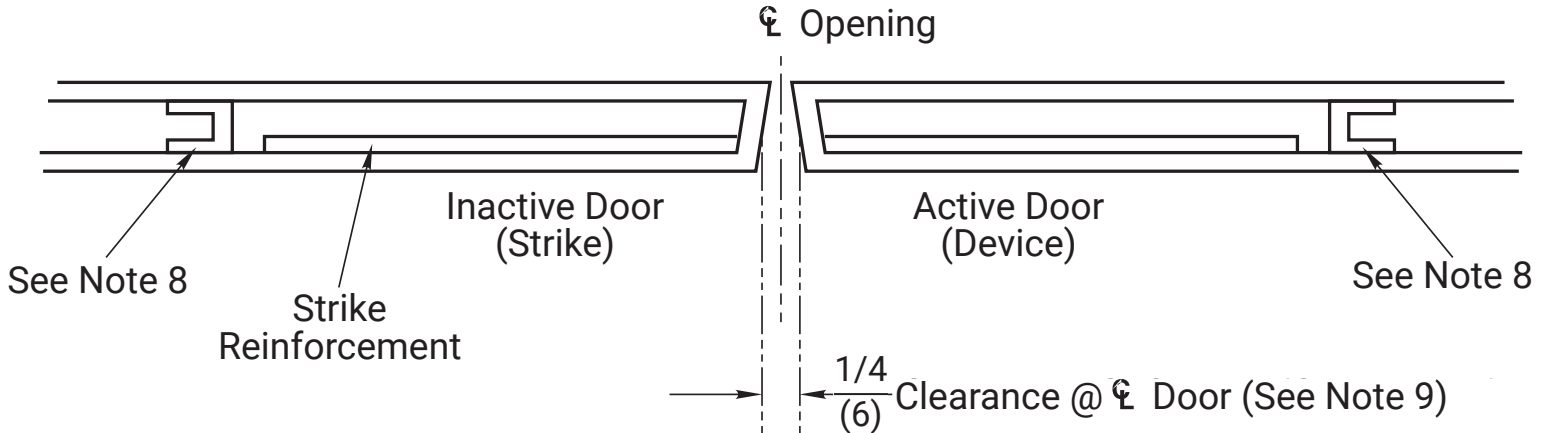


# 793 Strike

## Installation Instructions

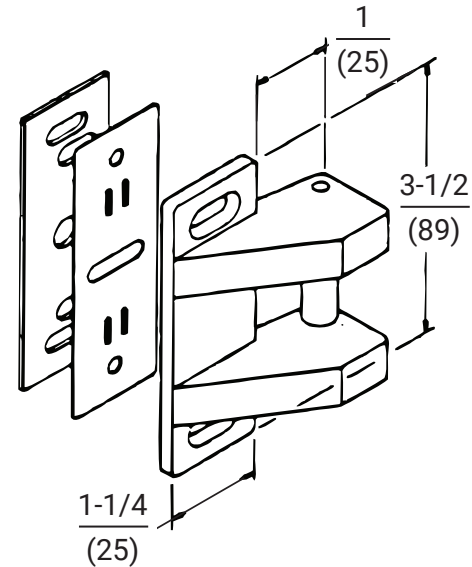
**ACCENTRA**  
**ASSA ABLOY**

**For Use With Rim Exit Devices**  
**Application To Pair Opening Of Doors Without Mullion**



### NOTES:

1. Minimum Stile Width: 4-1/2 (114).
2. For door reinforcements, see template 7400-000. Unreinforced doors require SNB option to mount the hardware.
3. For outside trim preparation, see trim template.
4. Prepare mounting holes when installing device.
5. LHR active door shown. Preparation is typical for both door hands.
6. All dimensions are in inches (mm).
7. Do not scale drawing.
8. Provide door stiffeners as needed to prevent door collapse due to device action.
9. For other center clearances, compensate hardware locating dimensions as required.
10. Device mount hinge stile (not shown) requires hole location and preparation during device installation.



### **⚠ WARNING**

This product can expose you to lead which is known to the state of California to cause cancer and birth defects or other reproductive harm. For more information go to [www.P65warnings.ca.gov](http://www.P65warnings.ca.gov).

### **⚠ WARNING**

Attention Installer: Any retrofit or other field modification to a fire rated opening can potentially impact the fire rating of the opening, and ASSA ABLOY makes no representations or warranties concerning what such impact may be in any specific situation. When retrofitting any portion of an existing fire-rated opening, or specifying and installing a new fire-rated opening, please consult with a code specialist or local code official (Authority Having Jurisdiction) to ensure compliance with all applicable codes and ratings.

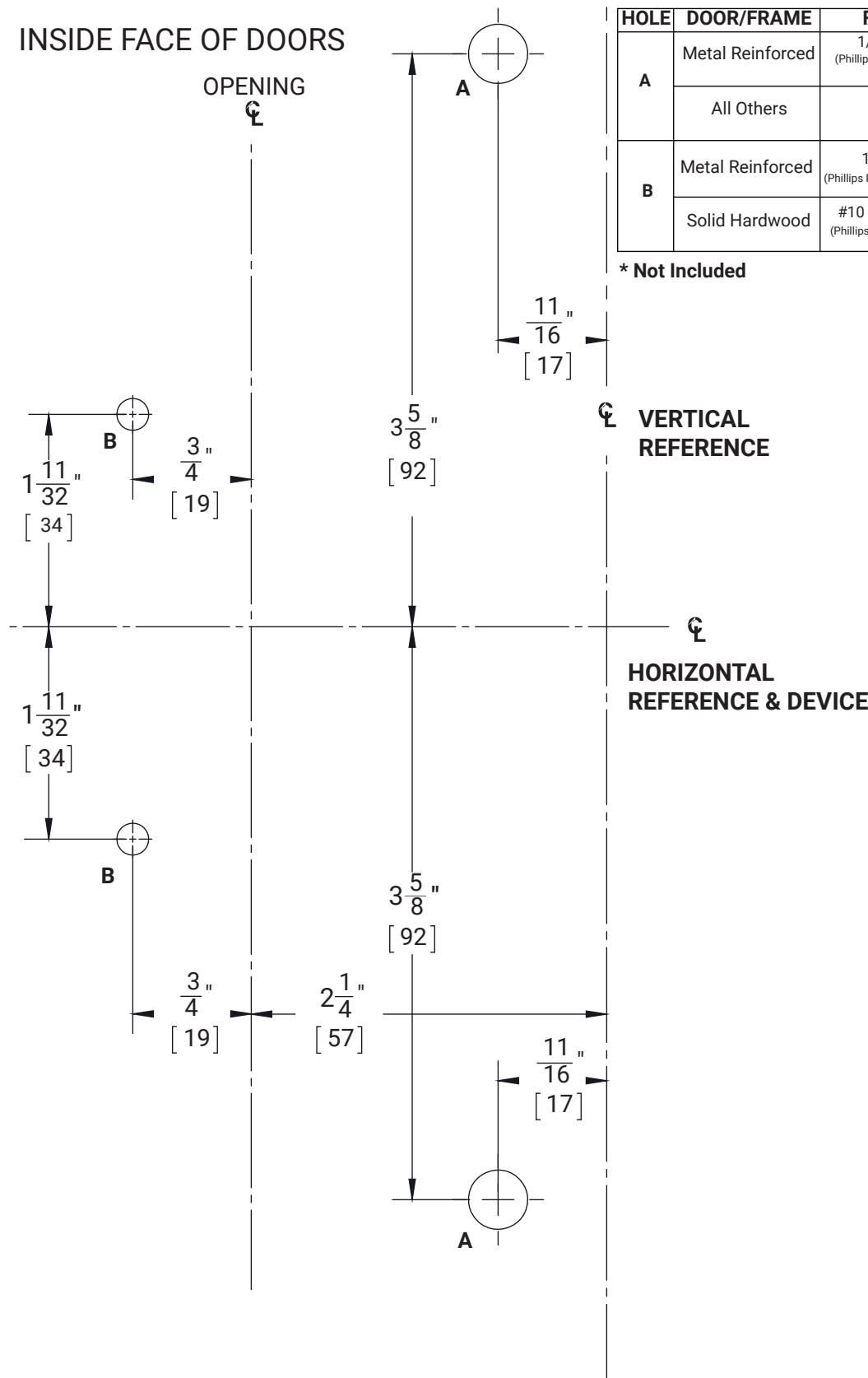
80-8470-0793-000 04/24

1-855-557-5078 Ext. 2 • [www.accentra-assaabloy.com](http://www.accentra-assaabloy.com)

Copyright © 1997, 2013, 2023, 2024, ASSA ABLOY ACCENTRA™ Access and Egress Hardware Group, Inc. All rights reserved.  
Reproduction in whole or in part without the express written permission of ASSA ABLOY Access and Egress Hardware Group, Inc. is prohibited.

Experience a safer  
and more open world

## INSIDE FACE OF DOORS



HOLE	DOOR/FRAME	FASTENER	PREPARATION
A	Metal Reinforced	1/4-20 PRHMS (Phillips Round Head Machine Screw)	Drill: #7 (.201) Tap: 1/4 - 20
	All Others	1/4-20 SNB (Sex Nut Bolts)	3/8" (9.50) Dia. Thru Door
B	Metal Reinforced	10-24 PFHMS (Phillips Flat Head Machine Screw)	Drill: #26 (.147 DIA) Tap: 10-24
	Solid Hardwood	#10 x 1-1/4 PFHWS* (Phillips Flat Head Wood Screw)	Pilot Hole: 11/64" (4.40) Dia.

\* Not Included