

500F & 514F

Trim

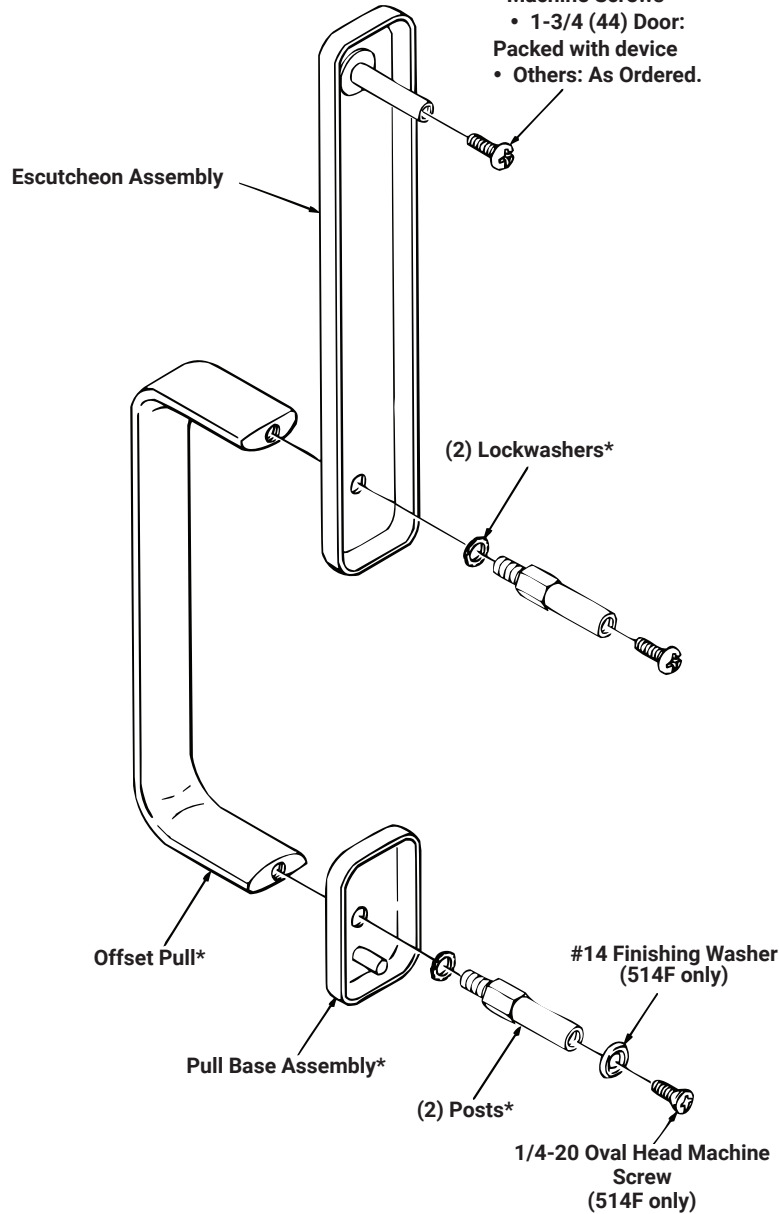
Installation Instructions

ACCENTRA

ASSA ABLOY

514F Trim Only: Assemble pull, offset away from edge of door.
Use components marked(*).

(2) 1/4-20 Round Head Machine Screws
• 1-3/4 (44) Door:
Packed with device
• Others: As Ordered.



WARNING

This product can expose you to lead which is known to the state of California to cause cancer and birth defects or other reproductive harm. For more information go to www.P65warnings.ca.gov.

WARNING

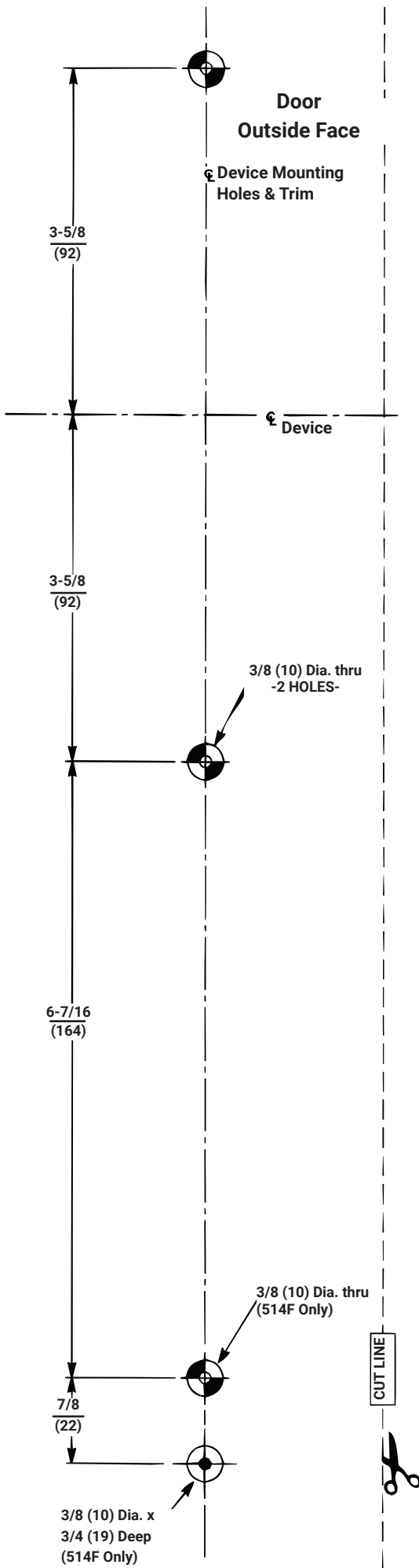
Attention Installer: Any retrofit or other field modification to a fire rated opening can potentially impact the fire rating of the opening, and ASSA ABLOY makes no representations or warranties concerning what such impact may be in any specific situation. When retrofitting any portion of an existing fire-rated opening, or specifying and installing a new fire-rated opening, please consult with a code specialist or local code official (Authority Having Jurisdiction) to ensure compliance with all applicable codes and ratings.

80-8470-0500-000 01/24

1-855-557-5078 Ext. 2 • www.accentra-assaabloy.com

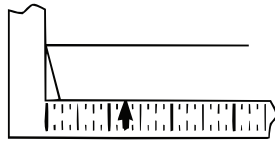
Copyright © 1995, 2023, 2024, ASSA ABLOY ACCENTRA™ Access and Egress Hardware Group, Inc. All rights reserved. Reproduction in whole or in part without the express written permission of ASSA ABLOY Access and Egress Hardware Group, Inc. is prohibited.

Experience a safer
and more open world

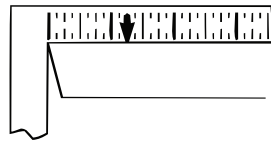


Installation Instructions

1. Pull trim becomes handed after assembly (parts are universal.) See front for components and instructions.
2. After marking door inside face for device location (device Instructions), carry "Centerline of Device Mounting Holes" from outside door face. Follow steps 2a and 2b below.



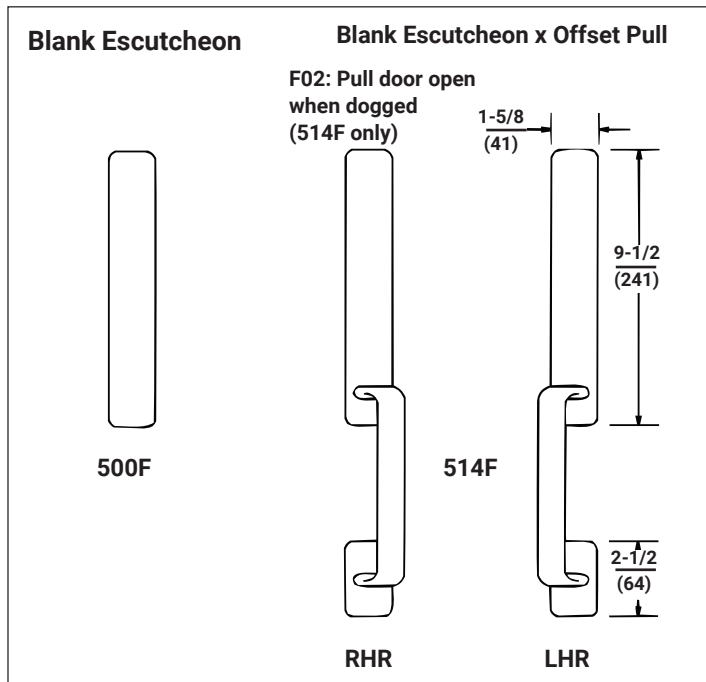
2a. MEASURE INSIDE LINE LOCATION



2b. CARRY DIMENSION OVER TO OUTSIDE FACE

3. Carry horizontal "Centerline of Device" from inside to outside door face.
4. Align trim template and tape to door, outside face
5. Spot holes and prepare door for trim.
6. Mount trim to door, bolting escutcheon to device. Continue as shown on device instructions.

Caution: Office copiers and facimile machines may change the size of a drawing and make the template innaccurate to use as a door marker.. If this is not the original template packed with the trim, use only the dimensions written on the template to locate the holes on the door(do not use the template as a door marker).



Dimensions given in inches (mm).