

540F & 580F

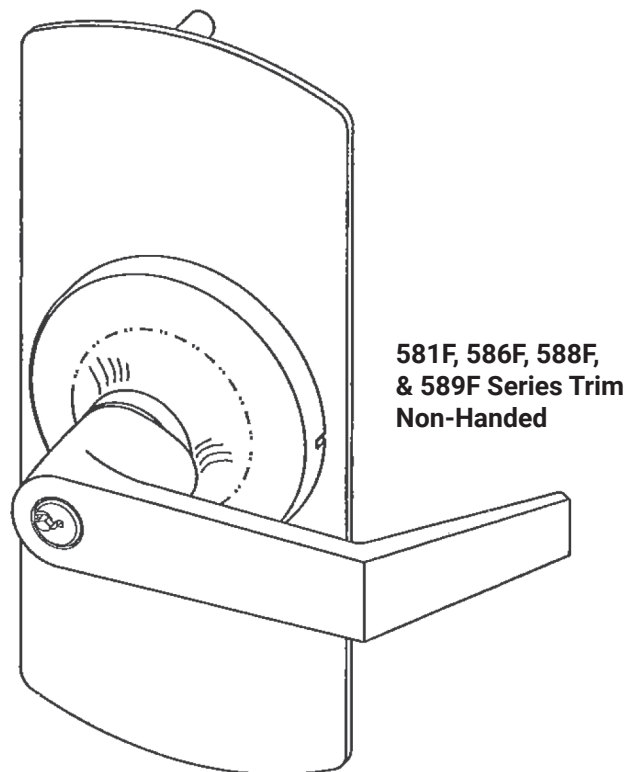
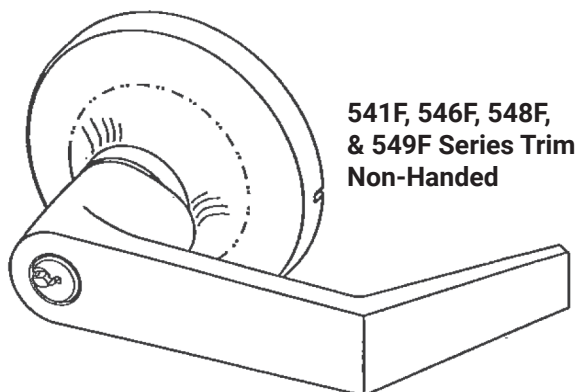
Exit Device Trim

Installation Instructions

ACCENTRA

ASSA ABLOY

For use with ASSA ABLOY ACCENTRA™ Series Exit Devices (Wood and Metal Doors)



Sectional Lever Trim				
LEVER TYPE	TRIM	FUNCTION	DESCRIPTION	REMARKS
Key In Lever	541F/581F	F03 (NL)	Key retract bolt(s)	Free wheeling lever
	546F/586F	F08	Key locks/unlocks lever	Free wheeling lever
Plain Lever	548F/588F	Passage	Lever retracts bolt(s)	Lever always active
		F02	Dummy trim*	Free wheeling lever
	549F/589F	F02	Dummy trim	Rigid lever

*Field Prep: Cut tailpiece off, not to engage the device.

ABBREVIATION	FASTENER DESCRIPTION
PPHMS	PHILLIPS PAN HEAD MACHINE SCREW
PTHMS	PHILLIPS TRUSS HEAD MACHINE SCREW

⚠ WARNING

This product can expose you to lead which is known to the state of California to cause cancer and birth defects or other reproductive harm. For more information go to www.P65warnings.ca.gov.

⚠ WARNING

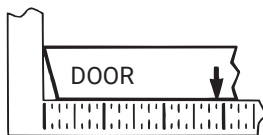
Attention Installer: Any retrofit or other field modification to a fire rated opening can potentially impact the fire rating of the opening, and ASSA ABLOY makes no representations or warranties concerning what such impact may be in any specific situation. When retrofitting any portion of an existing fire-rated opening, or specifying and installing a new fire-rated opening, please consult with a code specialist or local code official (Authority Having Jurisdiction) to ensure compliance with all applicable codes and ratings.

80-8470-0541-000 04/24

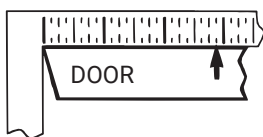
1-855-557-5078 Ext. 2 • www.accentra-assaabloy.com

Experience a safer
and more open world

1. Check box contents.
2. After marking door inside face for device location (Device Instructions), transfer "Vertical Reference Centerline" from inside to outside door face. **Follow steps 2a and 2b**, below.
3. Transfer "Horizontal Reference Centerline" from inside to outside door face.
4. Orient and align trim template, attach with tape to outside door face.
5. Spot holes and prepare door for trim.
6. Adjust trim for door thickness (as reqd).
7. Mount trim to door thru holes "B" with (2) #10-32 x 2" PTHMS supplied as shown in **Fig. 1**. Note: If installing dummy trim, continue as shown in device instructions.
8. If required, cut trim tailpiece as shown in **Fig. 2**. Seat device so that the trim tailpiece penetrates cam slot as shown in **Fig. 1**. Thru mount device to trim thru holes "A" as shown in **Fig. 1** using 1/4-20 PPHMS supplied with device.
9. Continue as shown in device instructions.



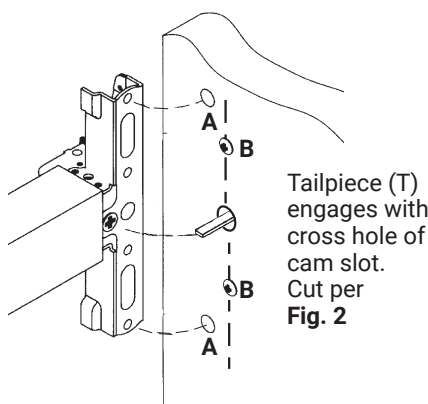
2a. MEASURE INSIDE LINE LOCATION.



2b. TRANSFER DIMENSION TO OUTSIDE FACE.

Figure 1

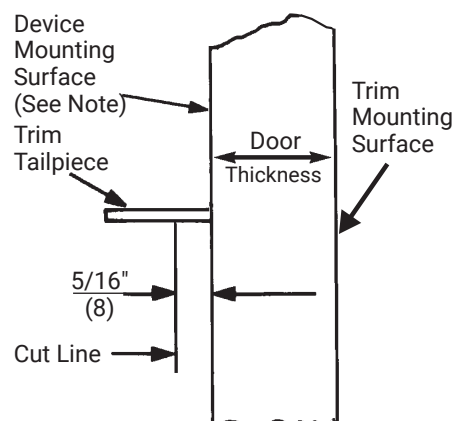
Device is bolted to trim using holes "A" (closest to door lock edge)



(2) Screws and washers bolt trim to door using holes "B"

Figure 2

Tailpiece Sizing

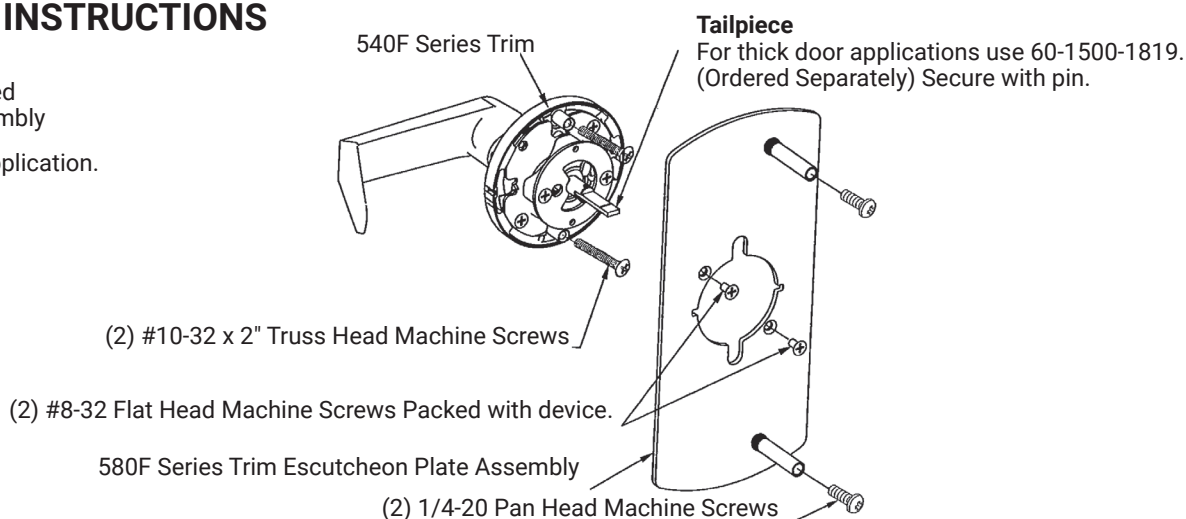


NOTE: Measure from device mounting surface (door face or shim surface)

INSTALLATION INSTRUCTIONS RHR Shown*

* - Trim Assembly shipped non-handed, rotate assembly

180° for use with LHR application.



540F & 580F

Exit Device Trim

Installation Instructions

Standard Cylinder

Each 541F and 581F, 548F, and 586F Standard Trim is supplied with one ACCENTRA 1802 6-pin random keyed cylinder, and (2) keys. This lever can fit any ACCENTRA 6-pin (1802, 5802), or 7-pin (1802A, 5802A) standard cylinder, or a Schlage lock cylinder using ACCENTRA 107S Lever Adapter Kit.

To re-key or exchange any of these cylinders, follow steps 3a or 3b shown below.

Figure 3a. Lever Handle Removable

1. Insert key & rotate clockwise 45°
2. Depress retainer with tool supplied.
3. Slide lever off trim. (Reverse steps to re-assemble.)

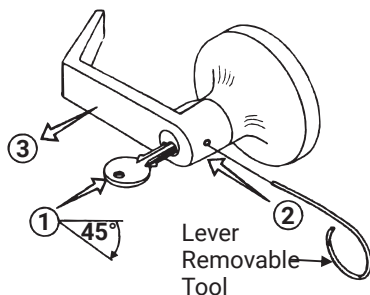
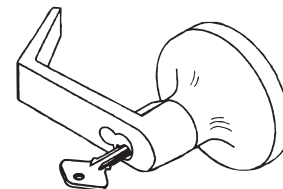


Figure 3b. Interchangeable Core Cylinders

Trim levers are specific for the cylinder core used. Levers are not removable. To remove and install the cylinder use the control key supplied with the cylinder.



Adjust lock for door thickness

(If necessary) (Lock is packaged preadjusted for 1-3/4" (44mm) thick doors.)

To adjust for a thicker door.

- A. Remove (2) screws from outside rose plate.
- B. Slide outside rose away from lock body.
- C. Adjust rose plate to desired door thickness per illustration below.
- D. Fasten outside rose to lock body with (2) screws.

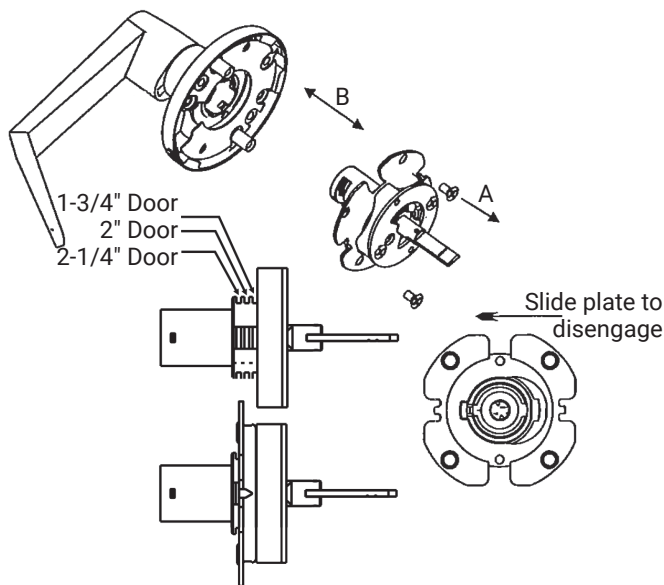
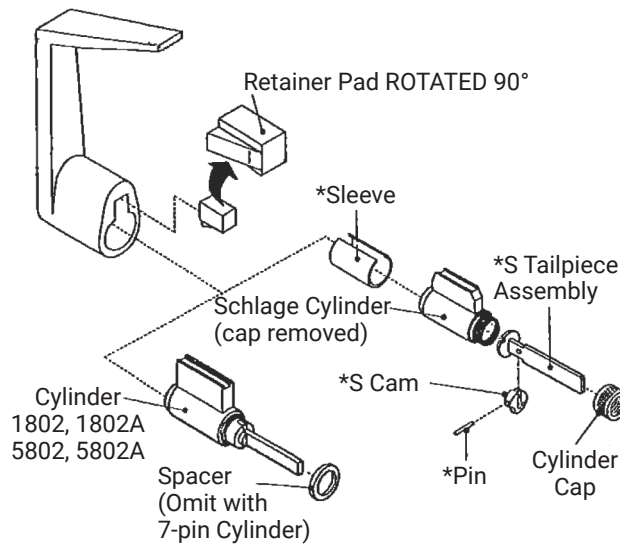


Figure 4. Cylinder Removal/Exchange

1. Remove retainer pad.
2. Slide cylinder out. (Reverse steps to reassemble)

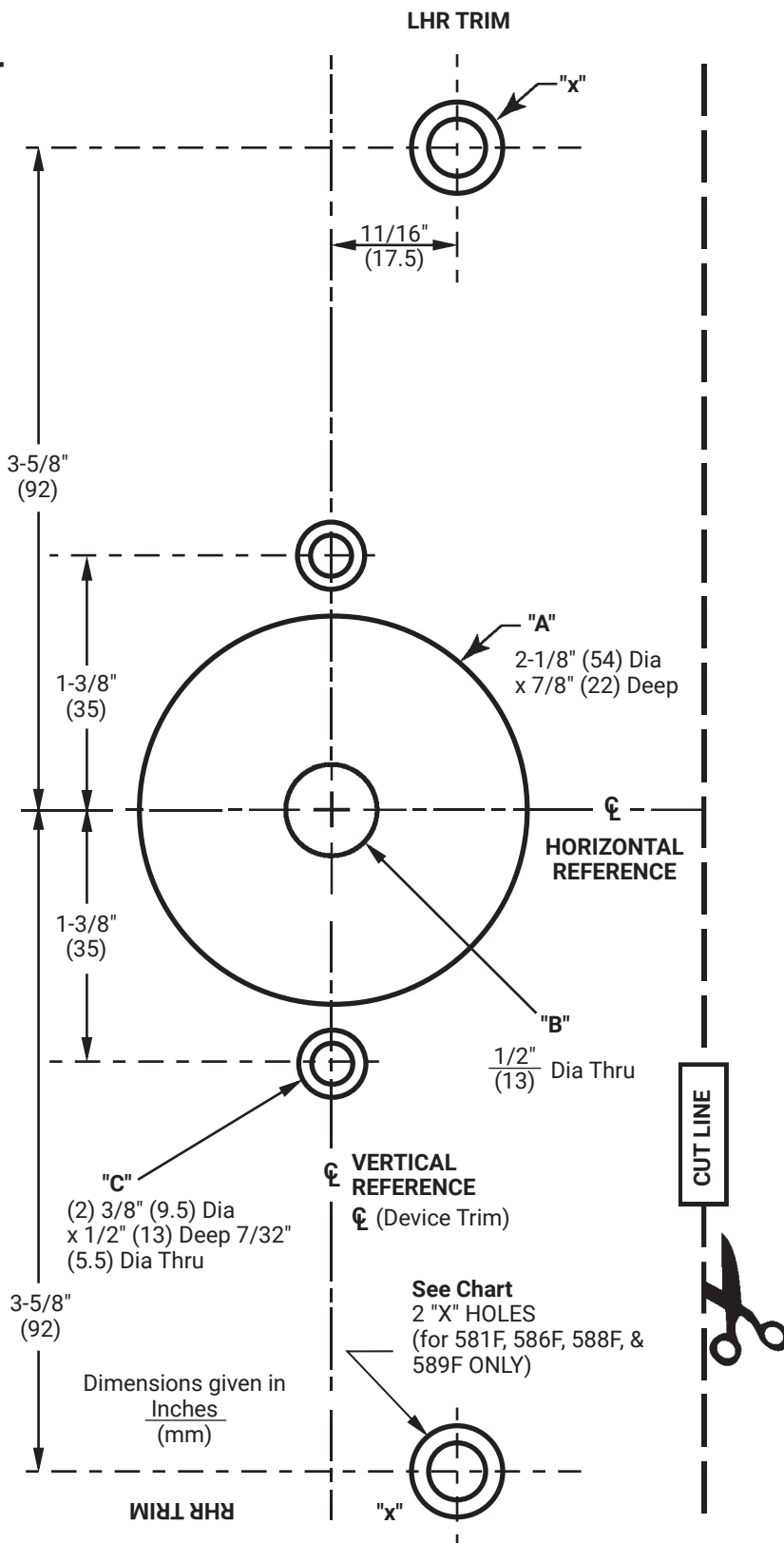


107S Lever Adapter Kit

Items marked * are supplied. Schlage cylinder is not supplied by ACCENTRA. To assemble cylinder:

1. Remove cap and Schlage tailpiece.
2. Install S Tailpiece Assembly. Thread cylinder cap, allowing for proper plug end play.
3. Position cam on tailpiece, with cam notch as shown. Pin in place.

Outside Door Face Trim Template



TRIM	HOLES
541F, 546F, 548F, 549F	A, B, C
581F, 586F, 588F, 589F	A, B, C, X
For Holes Marked "X" See Below	
METAL DOORS:	
Inside Face	5/16" (8) Dia.
Outside Face	1/16" (13) Dia.
WOOD DOORS: 1/2" (13) DIA. THRU	

CAUTION: Office printers, copiers and facsimile machines may change the size of a drawing and make the template inaccurate to use as a door marker. If this is not the original template packed with the trim, use only the holes on the door (do not use template as a door marker).

540F & 580F
Exit Device Trim
Installation Instructions



ACCENTRA

ASSA ABLOY

540F & 580F

**Exit Device Trim
Installation Instructions**

540F & 580F
Exit Device Trim
Installation Instructions



