

855

Sectional Dummy Trim

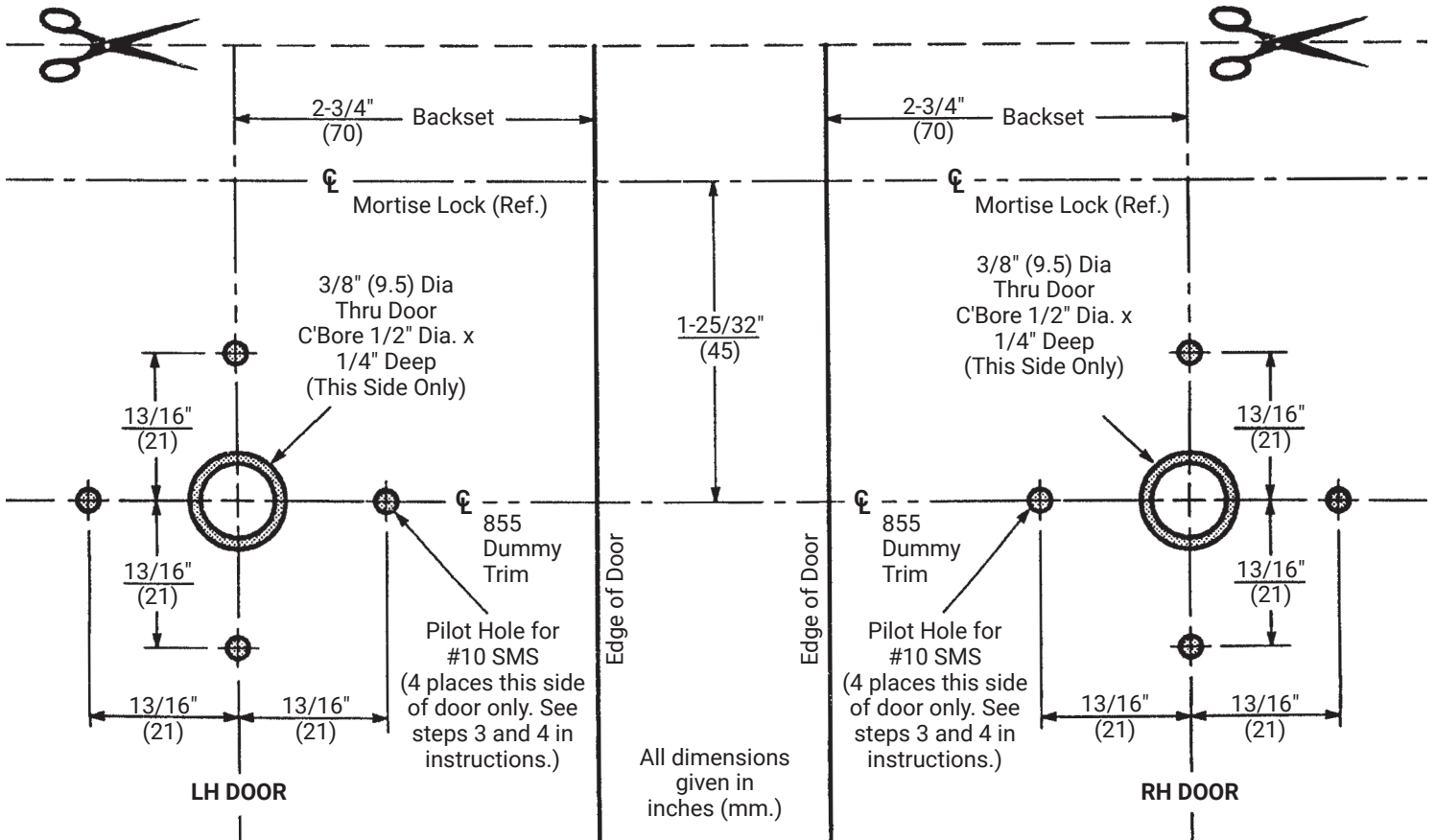
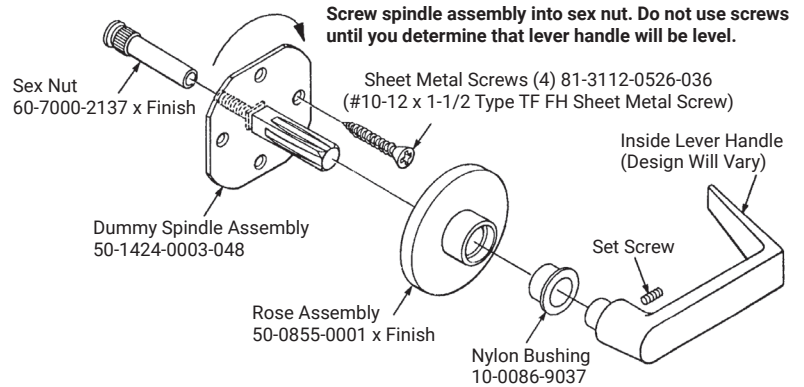
Installation Instructions

ACCENTRA

ASSA ABLOY

Install Procedure

1. Locate vertical and horizontal centerlines of dummy trim.
2. Drill $3/8"$ dia. hole through door. (Drill from both sides)
NOTE: Counterbore **trim side** $1/2"$ dia. x $1/4"$ deep.
3. Insert sex nut into door and thread spindle into sex nut. Use lever handle to tighten spindle. Check that lever handle will be level when installed.
4. Drill pilot holes and fasten with four (4) attaching screws.
5. Slide rose assembly onto spindle.
6. Attach lever handle and tighten set screw securely.



⚠ WARNING

This product can expose you to lead which is known to the state of California to cause cancer and birth defects or other reproductive harm. For more information go to www.P65warnings.ca.gov.

⚠ WARNING

Attention Installer: Any retrofit or other field modification to a fire rated opening can potentially impact the fire rating of the opening, and ASSA ABLOY makes no representations or warranties concerning what such impact may be in any specific situation. When retrofitting any portion of an existing fire-rated opening, or specifying and installing a new fire-rated opening, please consult with a code specialist or local code official (Authority Having Jurisdiction) to ensure compliance with all applicable codes and ratings.

1-855-557-5078 Ext. 2 • www.accentra-assaabloy.com

80-9086-0016-010 04/24

ACCENTRA

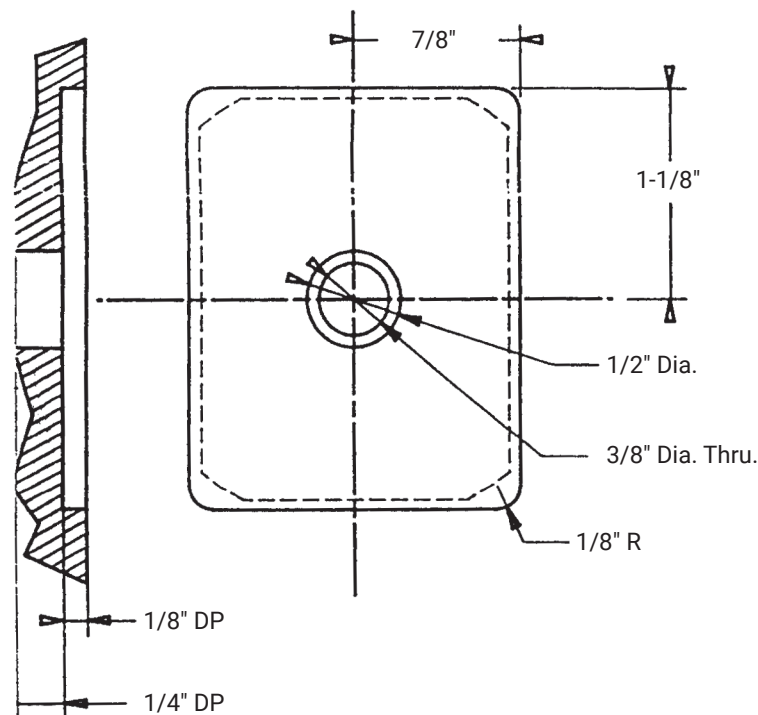
ASSA ABLOY

855

**Sectional Dummy Trim
Installation Instructions**

Dummy Spindles used with Escutcheons**Door Preparation****A. Mark door and Prep**

1. Draw a horizontal centerline for the lock on both sides of door at desired height above finished floor line. Standard height for horizontal centerline is 39-15/16" (1.2 m) above finished floor.
2. Measure a 2-3/4" backset, draw a vertical centerline on both sides of the door.
3. At centerline intersection, draw a line parallel to the vertical centerline at 7/8" on both sides of the line.
4. At centerline intersection, draw a line parallel to the horizontal centerline at 1-1/8" on both sides of the line.
5. At intersection of centerlines, drill 3/8" diameter thru.
6. The rectangle created by steps "1" thru "4" should be routed to 1/8" deep. (SEE DIAGRAM BELOW)
7. Using the 3/8" dia. as a pilot hole, centerbore a 1/2" diameter hole (1/4" deep).

**B. Install "Dummy Spindle"**

1. Inset threaded end of spindle into counterbored hole.
2. Thread the slotted sex nut through back side until tight.
3. Insert combination screws (2 req'd.) in the holes at top and bottom.

C. Proceed with standard Dummy trim instructions. 81-9086-0014-010

