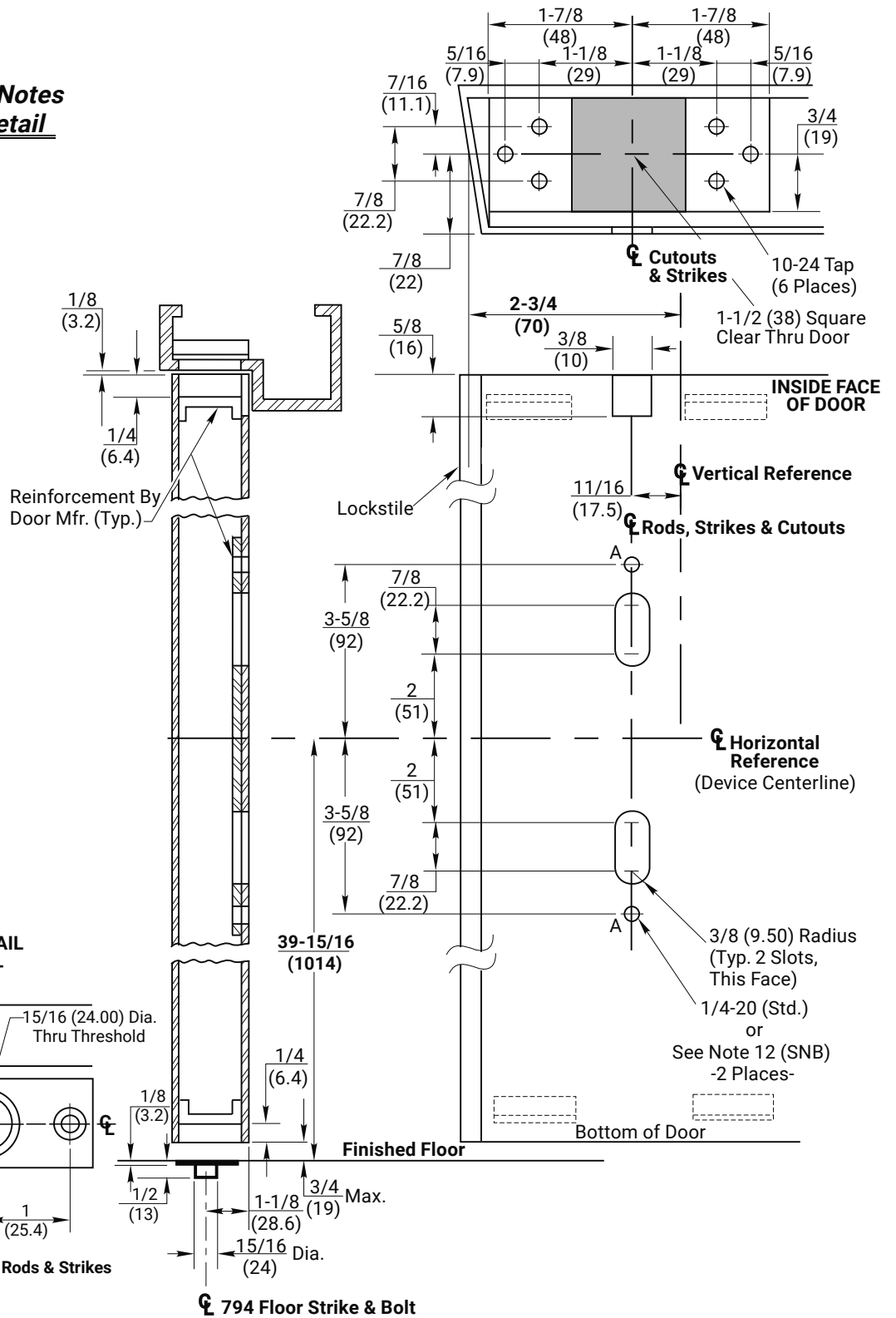
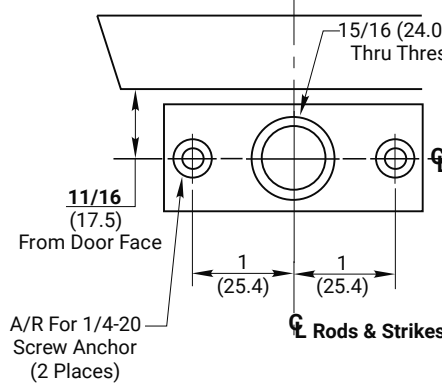


**See Sheet 2 for Notes  
& Top Strike Detail**

**Typical Top & Bottom Door Detail  
(Door Face Cutout Top Only, As Shown)**



**794 STRIKE DETAIL  
-See Note 14-**



**RESPONSIBILITY**  
DOOR AND FRAME MANUFACTURERS ARE RESPONSIBLE FOR PROVIDING ADEQUATE CONSTRUCTION OR REINFORCEMENTS FOR PROPER INSTALLATION OF HARDWARE SHOWN. ALL ARCHITECTURAL BUILDERS HARDWARE MUST BE INSTALLED ON PROPERLY REINFORCED DOORS AND FRAMES, REGARDLESS OF TYPE, MATERIAL, OR METHOD OF CONSTRUCTION.

**2160, 2160(F90) Series  
Concealed Vertical Rod Exit Devices  
with Optional 794 Floor Strike**  
Application for Metal Door and Frame Without Threshold  
1-855-557-5078 Ext. 2  
www.accentra-assaabloy.com

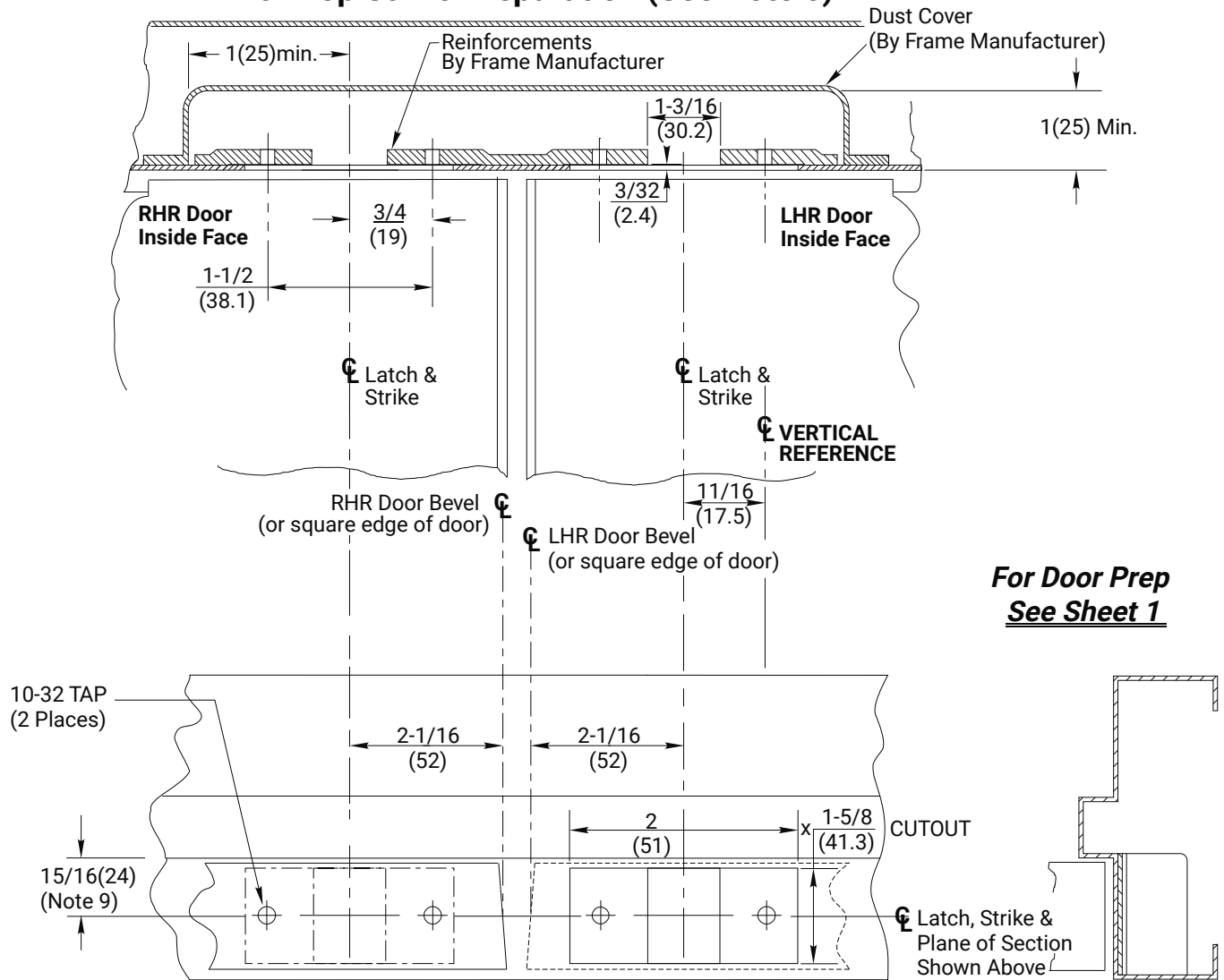
**ACCENTRA®  
ASSA ABLOY**

Experience a safer  
and more open world

Copyright © 2010, 2024, 2025, ASSA ABLOY ACCENTRA™ Access and Egress Hardware Group, Inc. All rights reserved. Reproduction in whole or in part without the express written permission of ASSA ABLOY Access and Egress Hardware Group, Inc. is prohibited.

SUPERSEDES	04/24	DO NOT SCALE DRAWING	
TEMPLATE NUMBER	7421-0062	SHEET	DATE
		1 of 2	06/25

## 761 Top Strike Preparation (See Note 6)



### Notes:

1. Do not scale drawing.
2. Dimensions are in inches (mm).
3. Preparation is typical for both hands.
4. Minimum door stile width: 4-1/2 (114).
5. Prepare mounting holes when installing the device.
6. Drawing shows elevation (frame bisected on strike center), bottom view looking up and side view.
7. Provide adequate structural support to maintain door integrity after device installation with power tools, door use, or abuse.
8. For recommended door reinforcements see template 7400-0000.
9. Door located in frame for door silencers. If not used, compensate this dimension to seat the door against the stop without rattle.
10. Device mount to hinge stile (not shown) requires hole location and preparation during device installation.
11. For outside trim preparation see appropriate trim template.
12. Holes for optional SNB (Required for unreinforced doors):  
9/32 (7.00) dia., inside door face;  
3/8 (9.50) dia., outside door face.
13. Maximum thickness 5/32 (4.0) when outside escutcheon trim is used.
14. Bottom bolt should retract to 1/8 (3.2) above floor strike. Floor coverings in the door path must be laid accordingly.

**RESPONSIBILITY**  
DOOR AND FRAME MANUFACTURERS ARE RESPONSIBLE FOR PROVIDING ADEQUATE CONSTRUCTION OR REINFORCEMENTS FOR PROPER INSTALLATION OF HARDWARE SHOWN. ALL ARCHITECTURAL BUILDERS HARDWARE MUST BE INSTALLED ON PROPERLY REINFORCED DOORS AND FRAMES, REGARDLESS OF TYPE, MATERIAL, OR METHOD OF CONSTRUCTION.

**2160, 2160(F90) Series  
Concealed Vertical Rod Exit Devices  
with Optional 794 Floor Strike**  
Application for Metal Door and Frame Without Threshold  
1-855-557-5078 Ext. 2  
www.accentra-assaabloy.com

**ACCENTRA®**  
**ASSA ABLOY**

Experience a safer  
and more open world

Copyright © 2010, 2024, 2025, ASSA ABLOY ACCENTRA™ Access and Egress Hardware Group, Inc. All rights reserved. Reproduction in whole or in part without the express written permission of ASSA ABLOY Access and Egress Hardware Group, Inc. is prohibited.

SUPERSEDES	04/24	DO NOT SCALE DRAWING	
TEMPLATE NUMBER	7421-0062	SHEET	DATE
		2 of 2	06/25