

For Notes & Frame Prep
See Sheet 2

DOOR SPECIFICATION

Door Thickness: 1-3/4"
(45mm) Min.

Door Construction: Wood or composite door with fire or panic rating as required. Door may require metal channel edge which may alter backset dimensions. Consult door manufacturers listings.

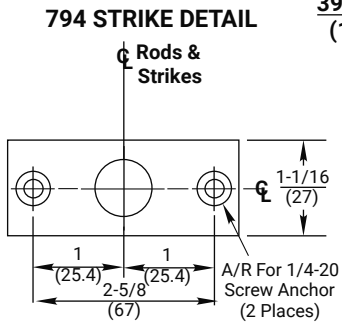
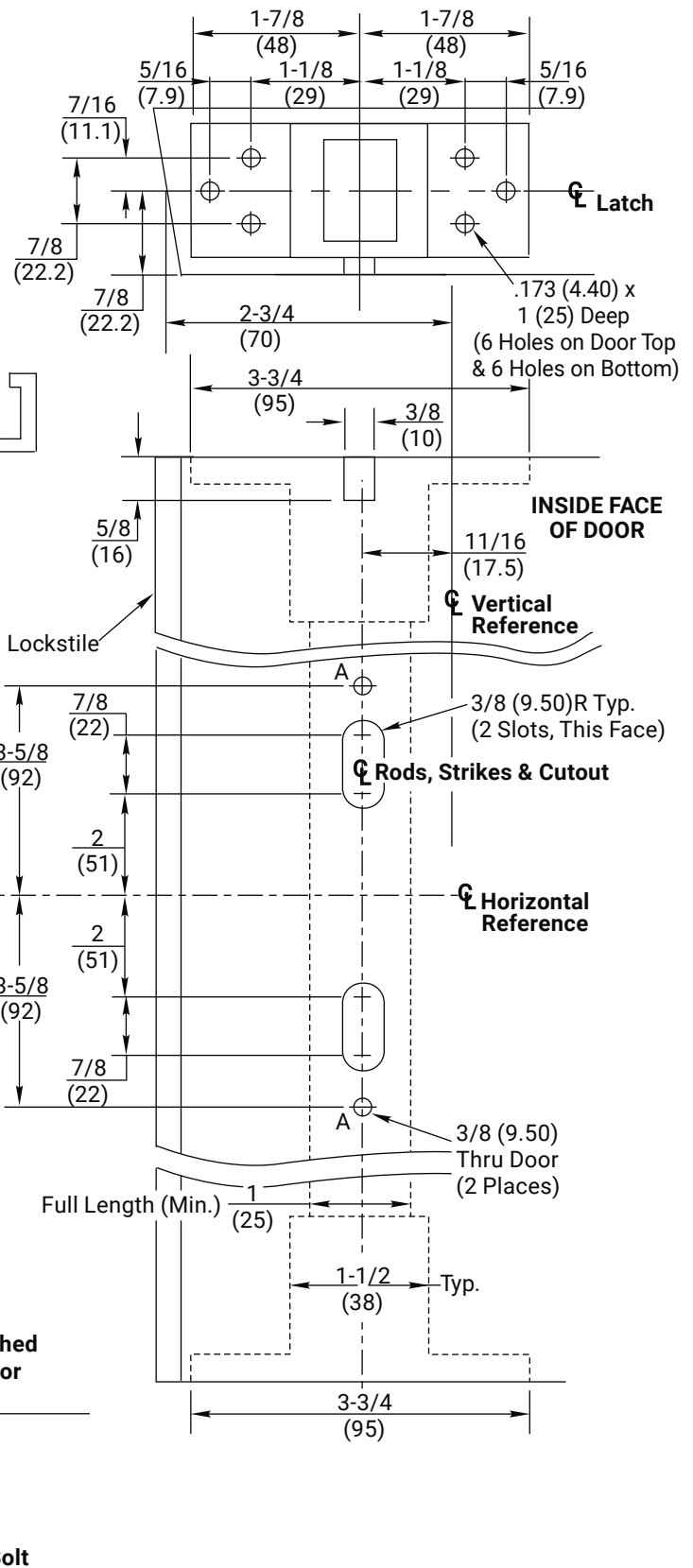
Exit Device Ratings:

2160, 2165 Panic Exit Doors up to 4'x8'

2160F90, 90 Minute Rated Fire Exit Doors up to 4'x8'

2160-10, 2165-10 Panic Exit Doors up to 4' x 10'

2160F90-10, 90 Minute Rated Fire Exit Doors up to 4'x10'



1/4 (6) Recommended
3/4 (Maximum)

RESPONSIBILITY
DOOR AND FRAME MANUFACTURERS ARE RESPONSIBLE FOR PROVIDING ADEQUATE CONSTRUCTION OR REINFORCEMENTS FOR PROPER INSTALLATION OF HARDWARE SHOWN. ALL ARCHITECTURAL BUILDERS HARDWARE MUST BE INSTALLED ON PROPERLY REINFORCED DOORS AND FRAMES, REGARDLESS OF TYPE, MATERIAL, OR METHOD OF CONSTRUCTION.

2160, 2160(F90) Series
Concealed Vertical Rod Exit Devices
Application for Wood Door & Metal Frame
with Optional 794 Floor Strike
1-855-557-5078 Ext. 2
www.accentra-assaabloy.com

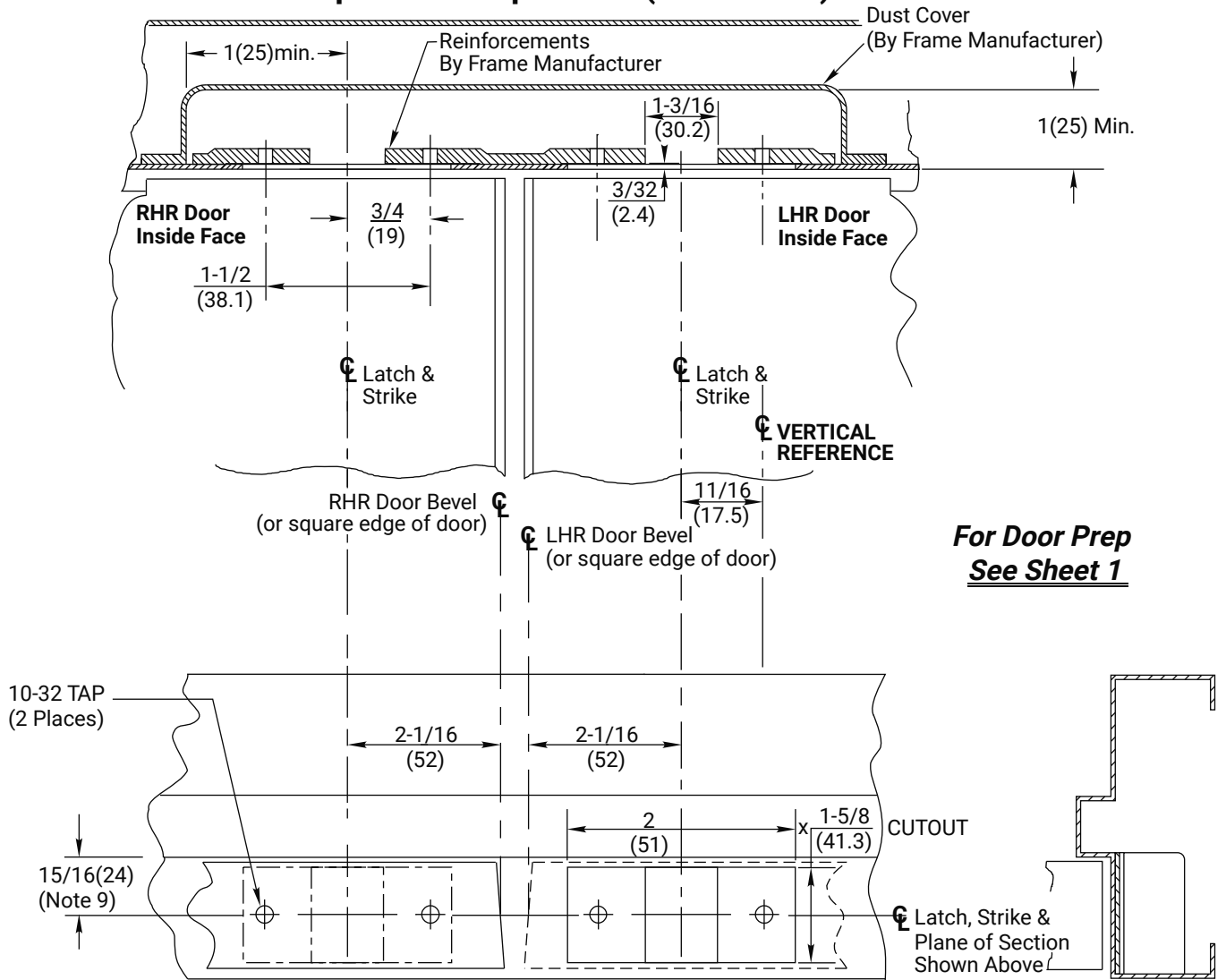
ACCENTRA®
ASSA ABLOY

Experience a safer
and more open world

Copyright © 2010, 2024, 2025, ASSA ABLOY ACCENTRA™ Access and Egress Hardware Group, Inc. All rights reserved. Reproduction in whole or in part without the express written permission of ASSA ABLOY Access and Egress Hardware Group, Inc. is prohibited.

SUPERSEDES	04/24	DO NOT SCALE DRAWING	
TEMPLATE NUMBER	7421-1062	SHEET	DATE
		1 of 2	06/25

761 Top Strike Preparation (See Note 6)



Notes:

1. Do not scale drawing.
2. Dimensions are in inches (mm).
3. Preparation is typical for both hands.
4. Minimum door stile width: 4-1/2 (114).
5. Prepare mounting holes when installing the device.
6. Drawing shows elevation (frame bisected on strike center), bottom view looking up and side view.
7. Provide adequate structural support to maintain door integrity after device installation with power tools, door use, or abuse.
8. This template does not cover devices without bottom rod ("-LBR" Series).
9. Door located in frame for door silencers. If not used, compensate this dimension to seat the door against the stop without rattle.
10. Device mount to hinge stile (not shown) requires hole location and preparation during device installation. Door structural requirements are similar for both stiles.
11. For outside trim preparation see appropriate trim template.
12. Bottom bolt should retract to 5/32 (4.0) above floor strike. Floor coverings in the door path must be laid accordingly.

RESPONSIBILITY

DOOR AND FRAME MANUFACTURERS ARE RESPONSIBLE FOR PROVIDING ADEQUATE CONSTRUCTION OR REINFORCEMENTS FOR PROPER INSTALLATION OF HARDWARE SHOWN. ALL ARCHITECTURAL BUILDERS HARDWARE MUST BE INSTALLED ON PROPERLY REINFORCED DOORS AND FRAMES, REGARDLESS OF TYPE, MATERIAL, OR METHOD OF CONSTRUCTION.

2160, 2160(F90) Series Concealed Vertical Rod Exit Devices Application for Wood Door & Metal Frame with Optional 794 Floor Strike

1-855-557-5078 Ext. 2
www.accentra-assaabloy.com

ACCENTRA®
ASSA ABLOY

Experience a safer
and more open world

Copyright © 2010, 2024, 2025, ASSA ABLOY ACCENTRA™ Access and Egress Hardware Group, Inc. All rights reserved. Reproduction in whole or in part without the express written permission of ASSA ABLOY Access and Egress Hardware Group, Inc. is prohibited.

SUPERSEDES	04/24	DO NOT SCALE DRAWING	
TEMPLATE NUMBER	7421-1062	SHEET	DATE
		2 of 2	06/25