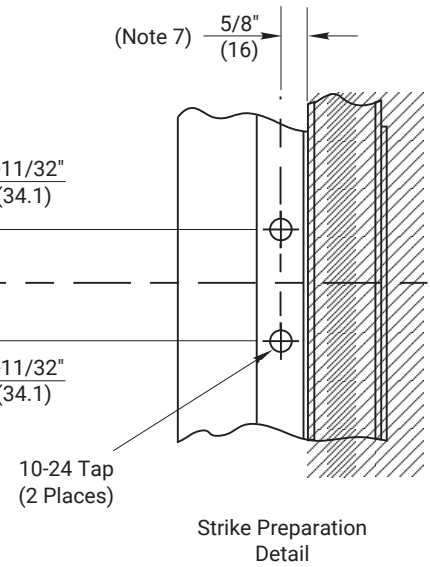
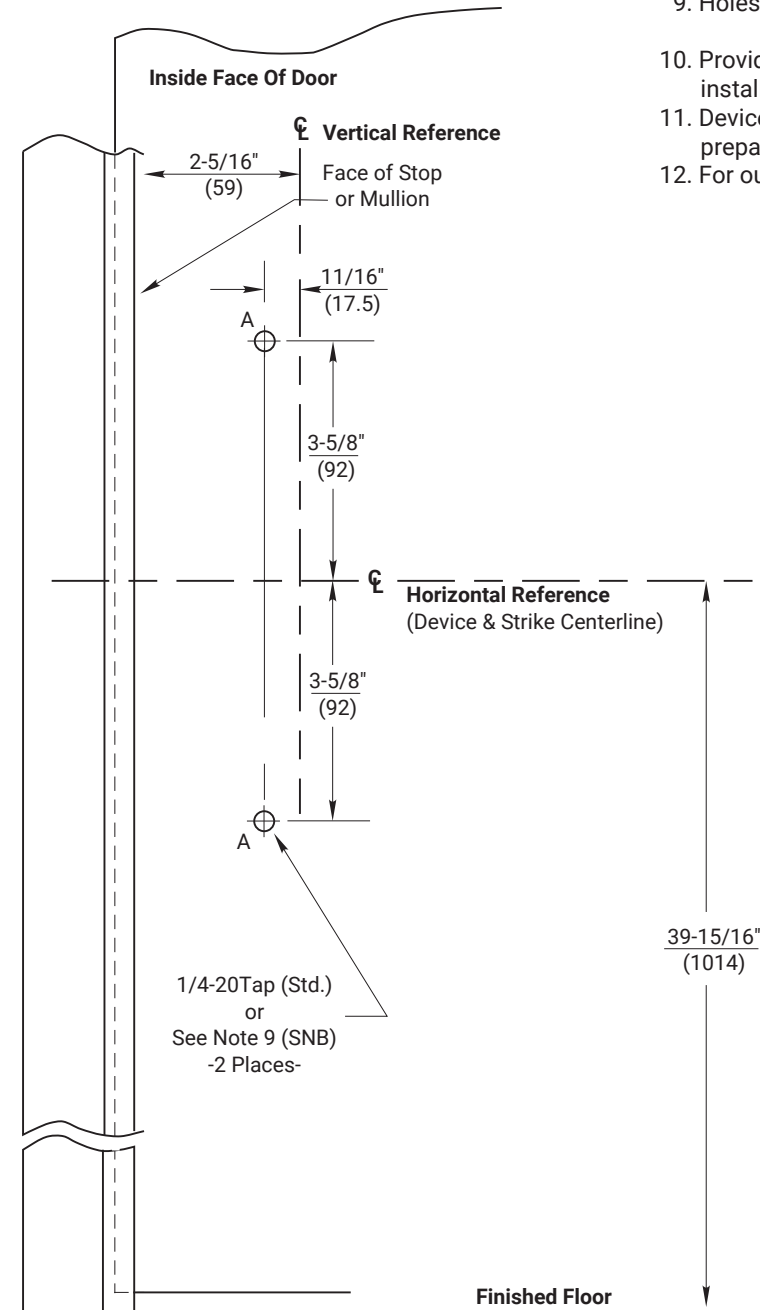


NOTES:

1. Do not scale drawing.
2. Dimensions are in inches (mm).
3. LHR door shown. Preparation is typical for both door hands.
4. Minimum door stile width: 4-1/2" (114).
5. Prepare mounting holes when installing the device.
6. Unreinforced frames require blind rivet nuts (by others) to mount the strike.
7. Dimension from door face.
8. For recommended door reinforcements see template 7400-0000. Unreinforced doors require SNB option to mount the device components.
9. Holes for optional SNB: 9/32" (7.00) dia. inside door face; 3/8" (9.50) dia. outside door face.
10. Provide door stiffeners as needed to prevent door collapse due to installation with power tools, door use, or abuse.
11. Device mount to hinge stile (not shown) requires hole location and preparation during device installation.
12. For outside trim preparation see appropriate trim template.



MULLION NOTE:

FOR MULLION MODEL NUMBERS M100(F) AND KRM100(F) REFER TO TEMPLATE NUMBER 7400-0100.

FOR MULLION MODEL NUMBERS M200(F) AND KRM200(F) REFER TO TEMPLATE NUMBER 7400-0200.

FOR MULLION MODEL NUMBERS M200FWS AND KRM200FWS REFER TO TEMPLATE NUMBER 7400-0210.

RESPONSIBILITY
 DOOR AND FRAME MANUFACTURERS ARE RESPONSIBLE FOR PROVIDING ADEQUATE CONSTRUCTION OR REINFORCEMENTS FOR PROPER INSTALLATION OF HARDWARE SHOWN. ALL ARCHITECTURAL BUILDERS HARDWARE MUST BE INSTALLED ON PROPERLY REINFORCED DOORS AND FRAMES, REGARDLESS OF TYPE, MATERIAL, OR METHOD OF CONSTRUCTION.

2100 & 1800 Rim Panic Exit Devices with 757 Strike

Application for Metal Door and Frame or Mullion (Not for Fire Labeled Devices)

1-855-557-5078 Ext. 2
www.accentra-assaabloy.com

ACCENTRA

ASSA ABLOY

Experience a safer and more open world

Copyright © 2010, 2023, 2024, ASSA ABLOY Access and Egress Hardware Group, Inc. All rights reserved. Reproduction in whole or in part without the express written permission of ASSA ABLOY Access and Egress Hardware Group, Inc. is prohibited.

<small>SUPERSEDES</small> 7421-0000 (10-23)	<small>DO NOT SCALE DRAWING</small>	
<small>TEMPLATE NUMBER</small>	<small>SHEET</small>	<small>DATE</small>
7421-0000	1 of 1	05/24