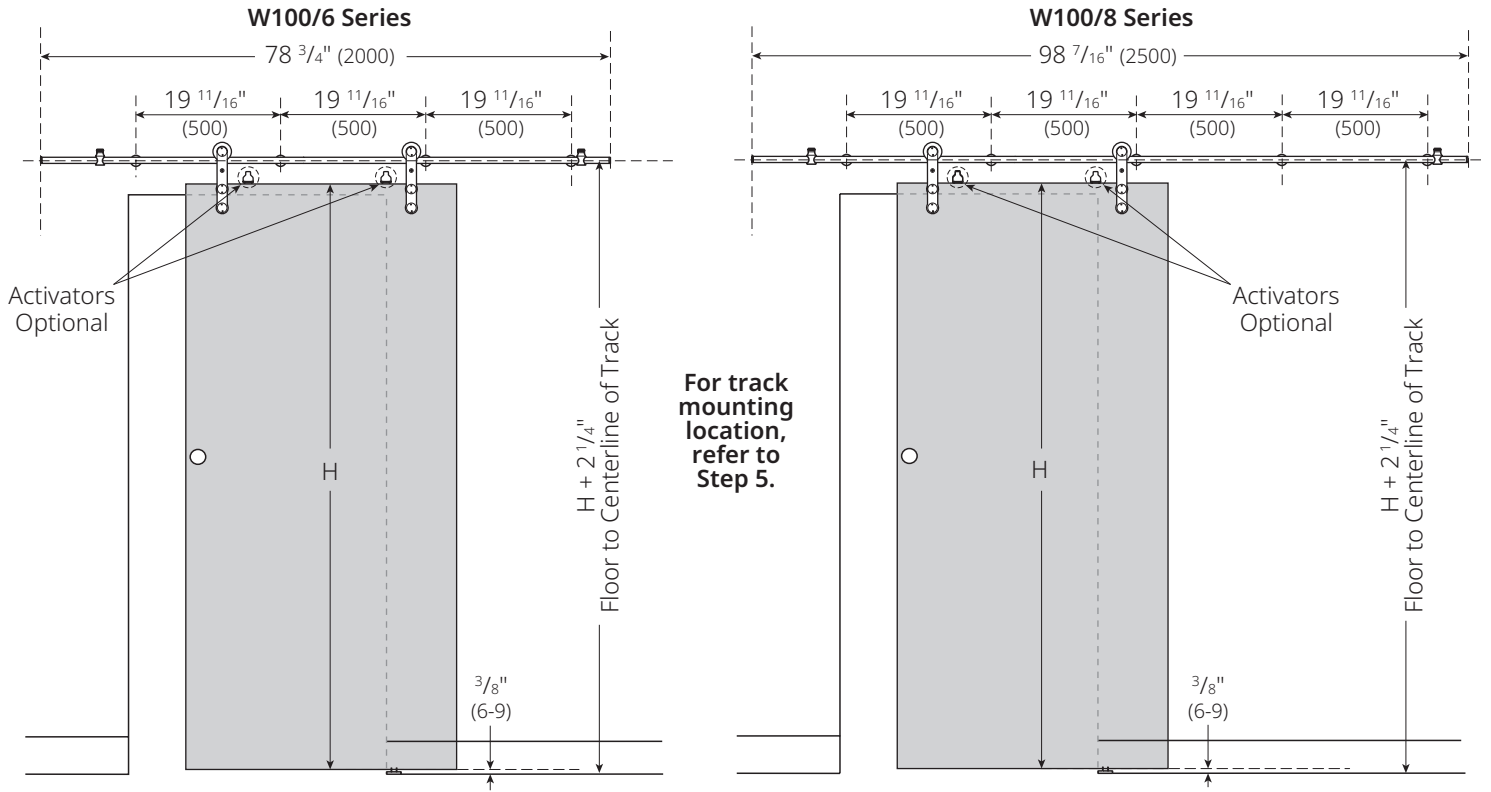


PEMKO
W100 SERIES

Experience a safer
and more open world

WARNING: Must be installed into wall blocking. If you have questions about what type of wall blocking is required, consult a structural engineer.

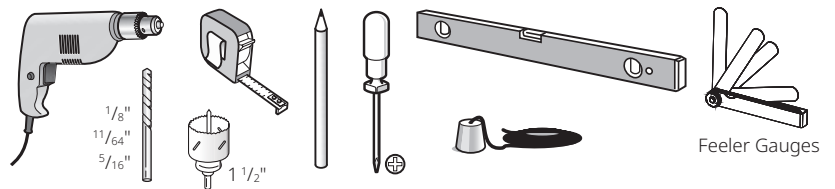
Dimensions shown: Inches (millimeters)



Notes:

- Centerline of track is 1" (25) from finished opening.
- Minimum door overlap on guide side is 2" (51).
- For track mounting location, refer to Step 5.
- Must be installed into wall blocking. If you have questions about what type of wall blocking is required, consult a structural engineer.**

Tools Required:

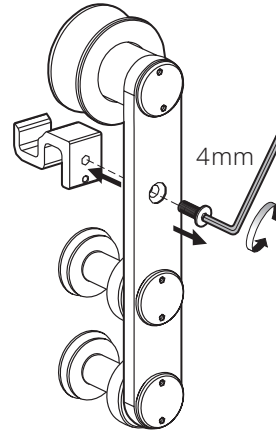


Parts:

<p>Hanger (x2) ST4.2x25 (x4)</p>	<p>W100/6: 2M Track (x1)</p> <p>M6x10 (x4) Fastener provided for wood wall blocking. M6x10 (x8) Wall Bracket (x4) Track Bracket (x4) Stop (x2) Bottom Guide (x1)</p>	<p>W100/8: 2.5M Track (x1)</p> <p>M70x5 (x5) Fastener provided for wood wall blocking. M6x10 (x10) Wall Bracket (x5) Track Bracket (x5) #8-18x25 (x4) #Plastic Anchor (x4) Hex Wrenches Spanner Wrench (x1)</p>
	<p>#8-18x25 (x4) #Plastic Anchor (x4) Hex Wrenches Spanner Wrench (x1)</p>	

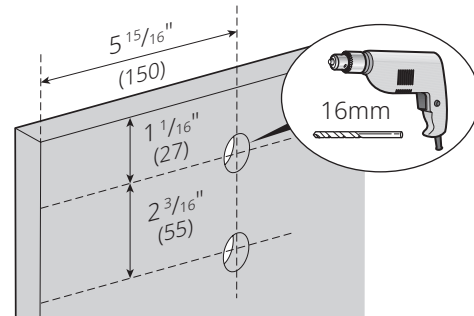
1. Prepare Hanger

Remove anti-rise pin from hanger using tool provided.



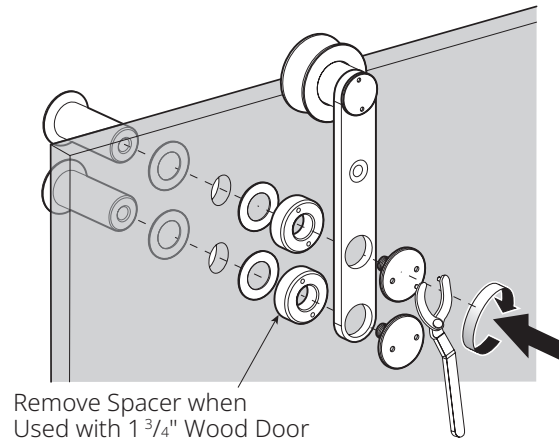
2. Prepare Door for Hangers

Using hanger as template, mark and drill pilot holes, as shown; centered in door thickness for hanger fasteners using a $1^{11}/64$ " bit.



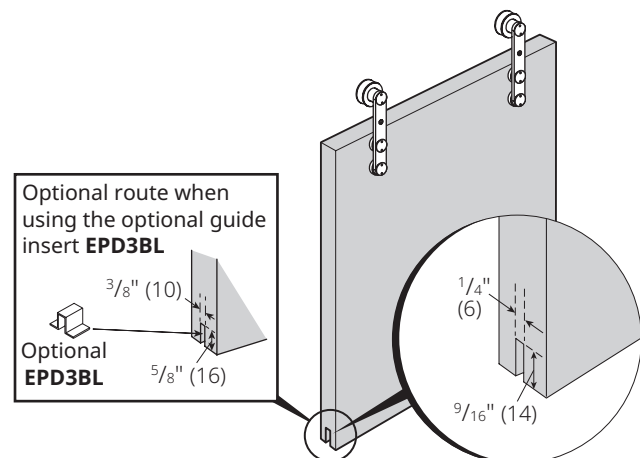
3. Mount Hangers to Door

Attach hangers to door with M6x70 screws provided.



4. Route Door Bottom

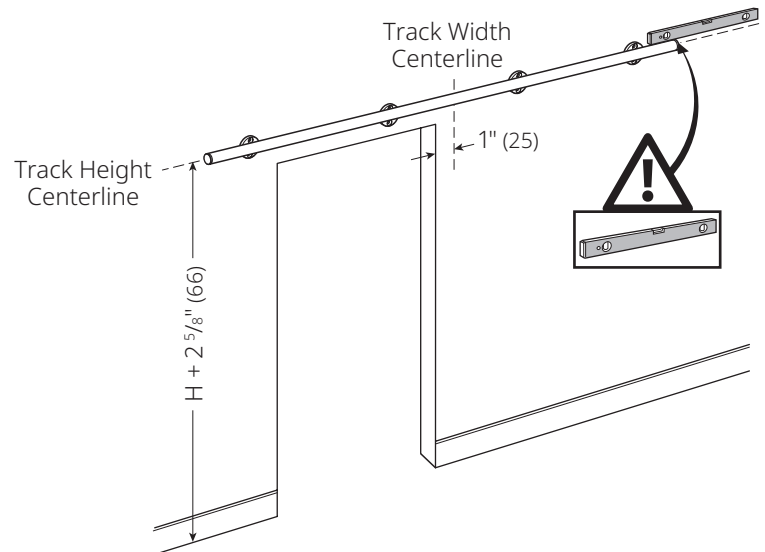
Route door to receive bottom guide.



5. Mark Track Centerlines

Locate track height centerline, as shown, using formula. Using a level, mark a horizontal line for a length more than twice door width.

Locate track width centerline 1" from trailing edge of finished opening and along track height centerline.



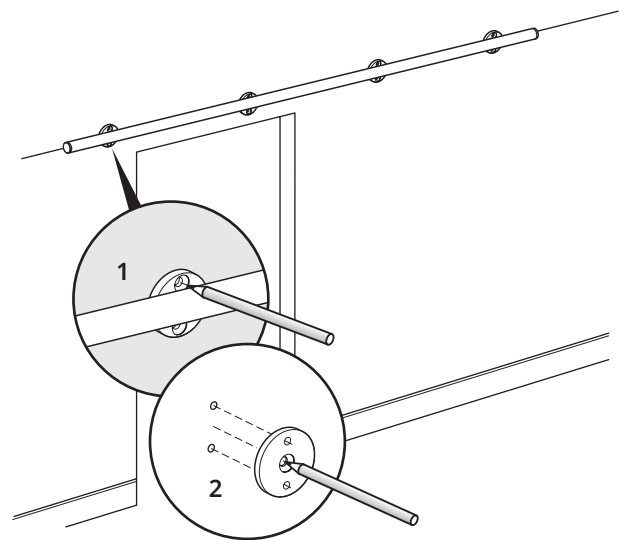
6. Mark Left-most Wall Bracket Location

Using track as a template, mark two screw holes of left-most track bracket, as shown (1).

Set aside track.

Align wall bracket with screw hole marks from track bracket.

Mark center hole of wall bracket as shown (2).



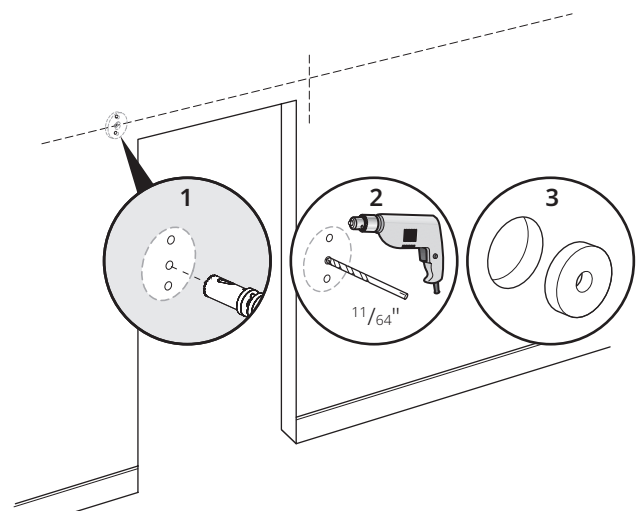
7. Drill for Left-most Wall Bracket

If applying track directly to gypsum board, use 1 1/2" hole saw to remove gypsum board from marked location of center hole (1).

Pre-drill center hole of wall bracket into WALL BLOCKING using 11/64" drill bit (2).

Use appropriate spacer kit, sold separately, to replace gypsum board (3).

If not applying track directly to gypsum board, pre-drill center hole of wall bracket using 11/64" drill bit (2).



8. Mount Left Side of Track to Wall and Mark for Right Side

Attach left-most wall bracket, as shown, into WALL BLOCKING with provided fastener (1).

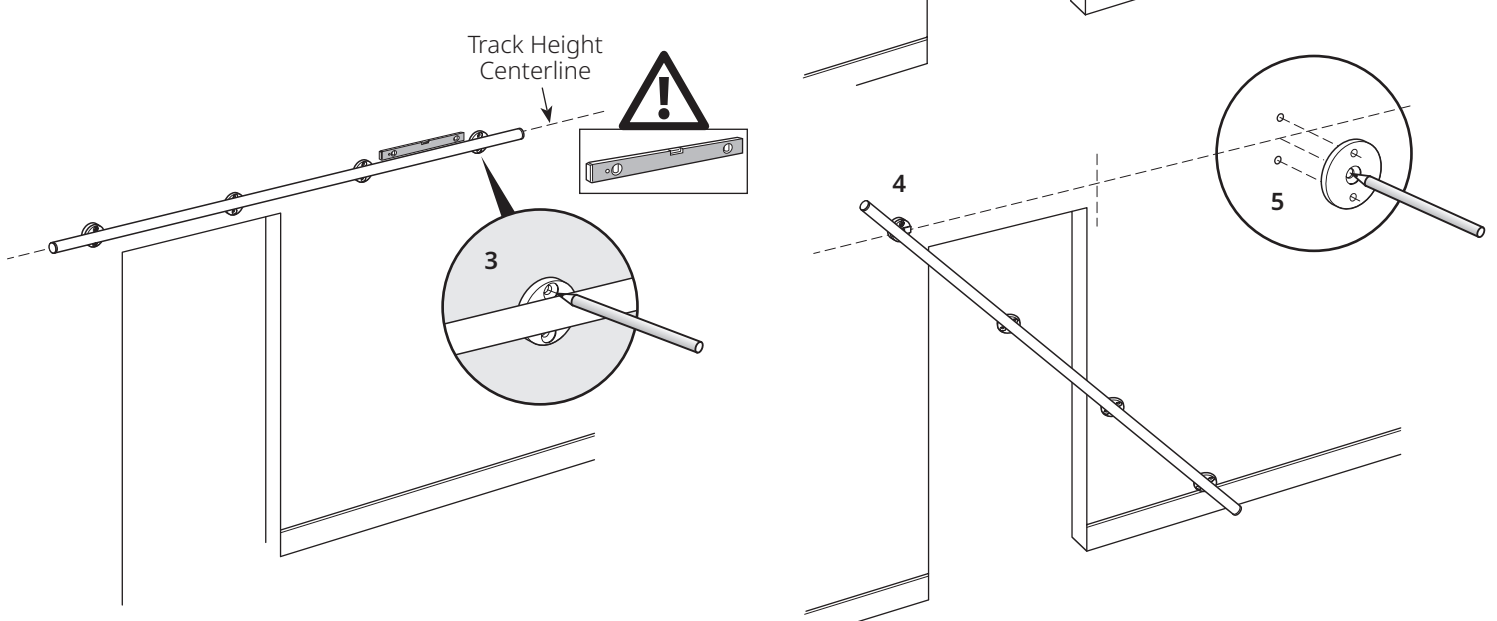
Attach track to left-most wall bracket with provided fasteners, as shown (2).

Align right end of track with height centerline previously marked.

Using a level, mark two screw holes of right-most track bracket (3).

Swing track downward to clear wall for right-most wall bracket installation (4).

Align wall bracket with right-most screw hole marks and mark center hole (5).



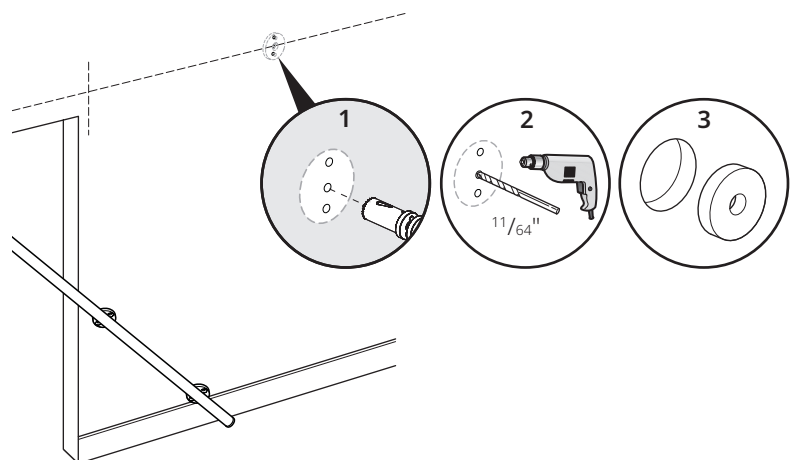
9. Drill for Right-most Wall Bracket

If applying track directly to gypsum board, use 1 1/2" hole saw to remove gypsum board from marked location of center hole (1).

Pre-drill center hole of wall bracket into WALL BLOCKING using 11/64" drill bit (2).

Use appropriate spacer kit, sold separately, to replace gypsum board (3).

If not applying track directly to gypsum board, pre-drill center hole of wall bracket using 11/64" drill bit (2).

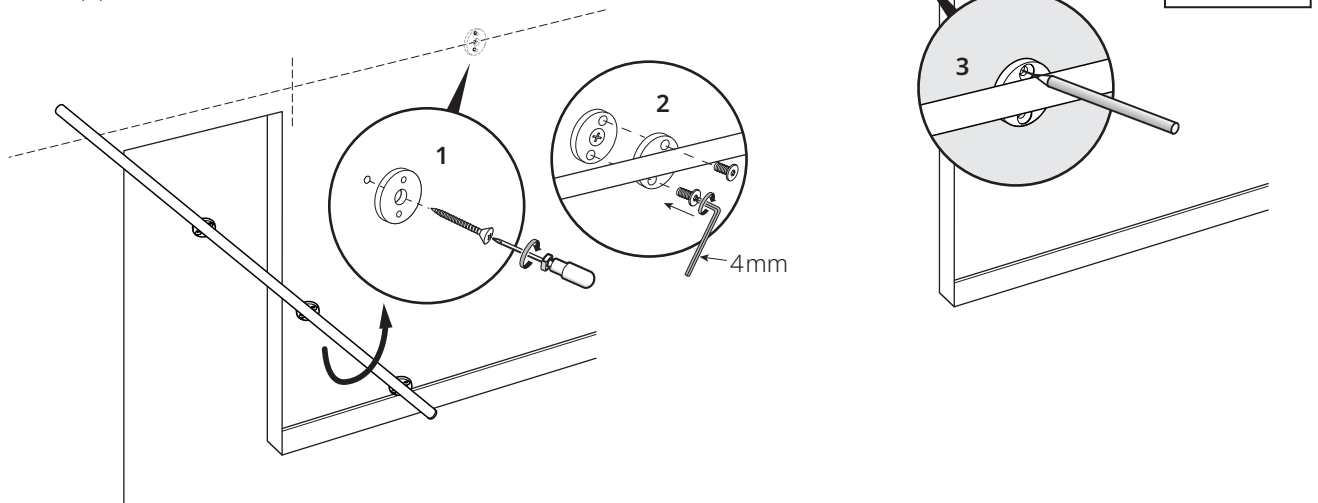


10. Mount Right Side of Track to Wall and Mark for Middle

Attach right-most wall bracket, as shown, into WALL BLOCKING with provided fastener (1).

Swing track back into position and attach track to right-most wall bracket with provided fasteners, as shown (2).

Using a level, mark for remaining wall brackets (3).



11. Continue to Mount Track to Wall

Loosen right-most track bracket and swing track downward to prepare and mount remaining wall brackets.

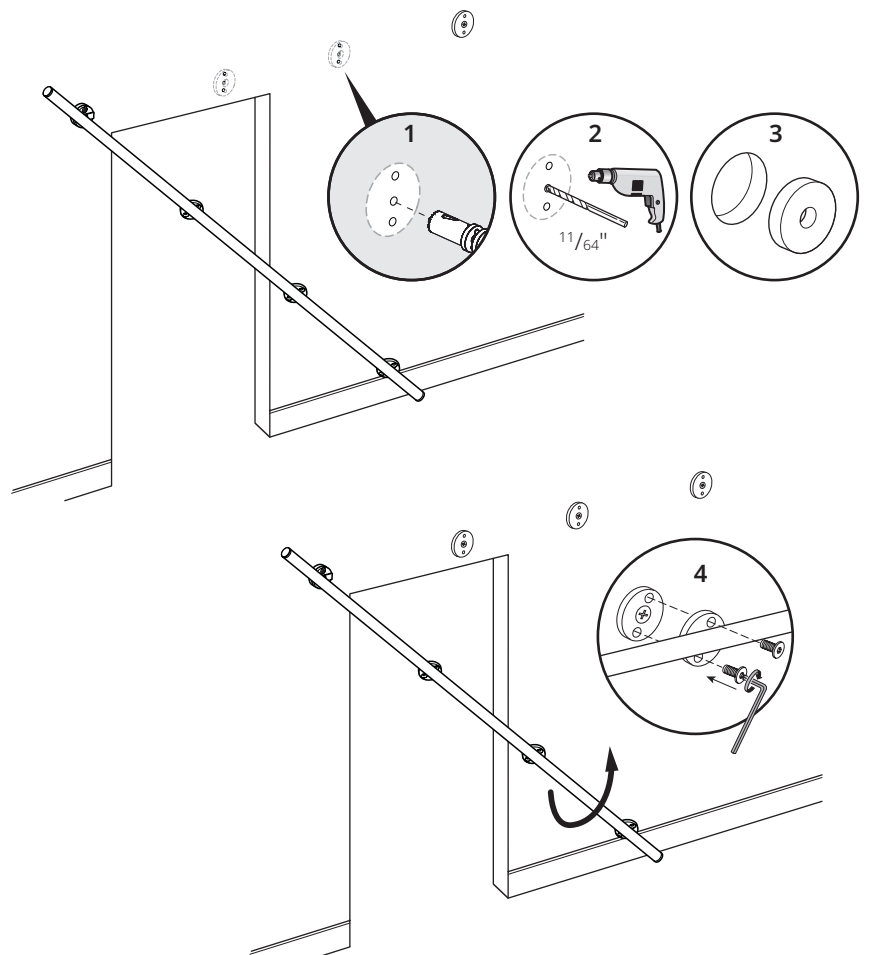
If applying track directly to gypsum board, use 1 1/2" hole saw to remove gypsum board from marked location of center hole (1).

Pre-drill center hole of wall bracket into WALL BLOCKING using 11/16" drill bit (2).

Use appropriate spacer kit, sold separately, to replace gypsum board (3).

If not applying track directly to gypsum board, pre-drill center hole of wall bracket using 11/16" drill bit (2).

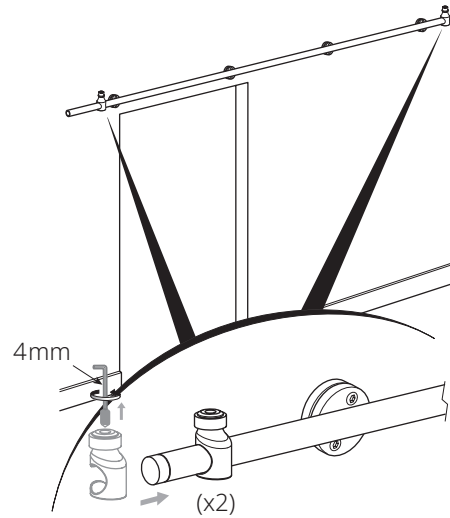
Swing track back into position and attach right-most and remaining track brackets to wall brackets with provided fasteners, as shown (4).



12. Install Stops

Insert stops onto each track end and tighten in place.

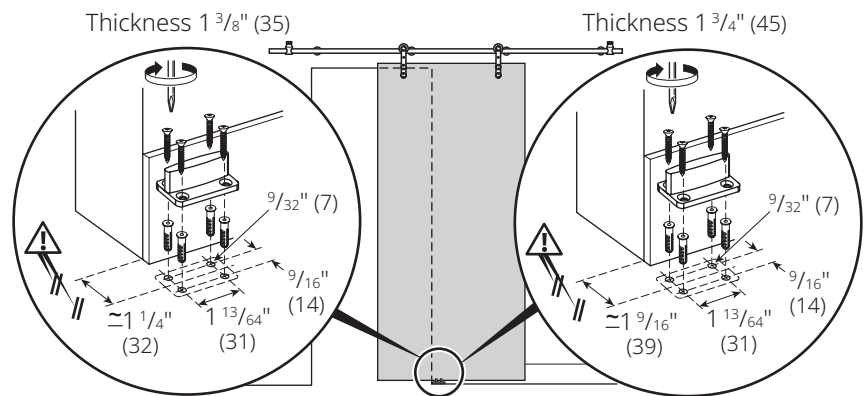
Further adjustment will be made later.



13. Install Bottom Guide

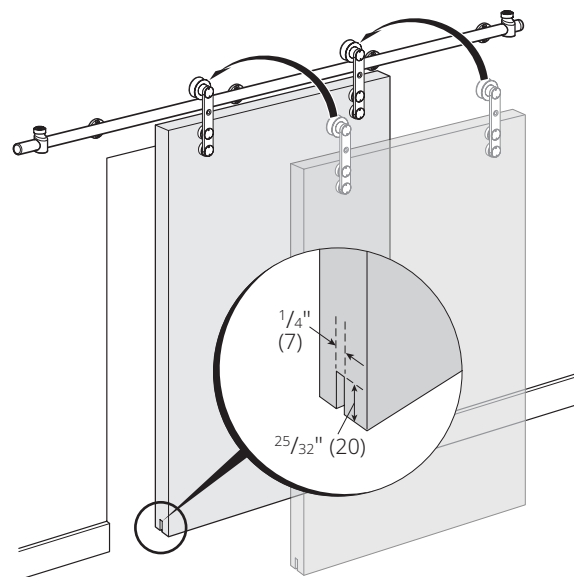
Mark for position of door guide.

Mount door guide to floor with anchors and #8-18x25 screws.



14. Hang Door

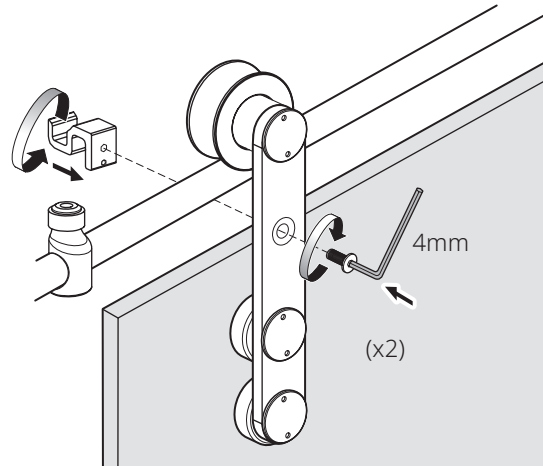
Lift door onto track.



15. Install Anti-rise Pins

Reattach anti-rise pins to hangers using spanner wrench provided. Ensure anti-rise pin is vertical, as shown.

Ensure the anti-rise pins are installed level. For systems with soft close, ensure the soft close passes through the channel in anti-rise without any obstruction.

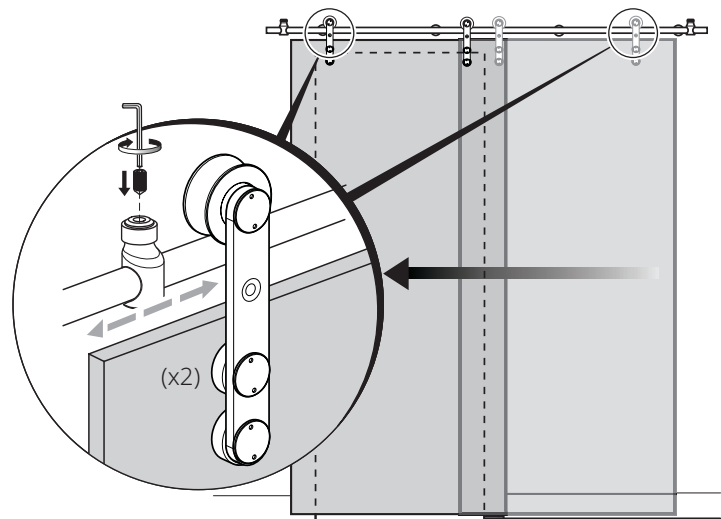


The following steps are critical to the operation of the system. Failure to install system according to installation instructions will void warranty.

16. Adjust Stops

Place door in closed position. Slide stop up to hanger. Tighten set screw with sufficient force to drive set screw into bar after final adjustment.

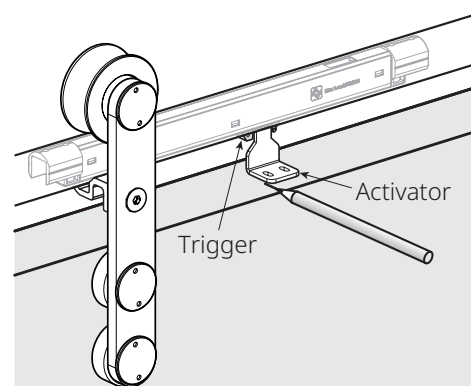
Repeat with door in open position.



17. Mark Activator Locations (Optional)

Slide door to closed position. Place activator into soft close trigger on top of door, as shown, and mark edge of trigger closest to hanger.

Slide door toward center of track.



The ASSA ABLOY Group is the global leader in access solutions. Every day, we help billions of people experience a more open world.

ASSA ABLOY Opening Solutions leads the development within door openings and products for access solutions in homes, businesses and institutions. Our offering includes doors, frames, door and window hardware, mechanical and smart locks, access control and service.

18. Install Activator (Optional)

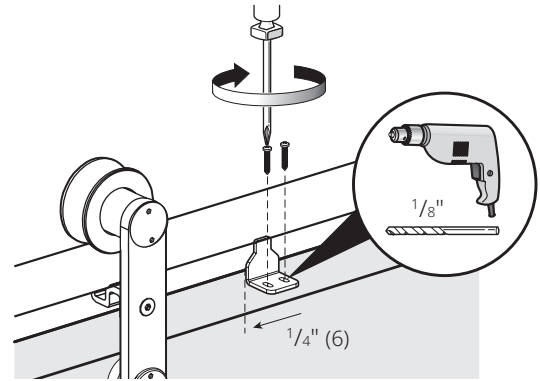
Shift activator $\frac{1}{4}$ " toward center of door.

Using activator, mark slot locations. This will prevent the soft close from using all of its travel by $\frac{1}{4}$ ".

Pre-drill with $\frac{1}{8}$ " drill bit.

Install activator with provided fasteners. Do not use a drill. Hand tighten.

Repeat Steps 17-18 for open position.



19. Adjust Hangers (Optional)

Using 2mm hex wrench, loosen set screw (1).

Using spanner wrench, loosen front hanger bolt (2).

Manually raise or lower door to meet necessary dimension of 0.012"-0.020" between activator and soft close trigger.

Tighten front hanger bolt to maintain adjustment (2).

Tighten set screw (1).

Use feeler gauges to verify required dimension is met (3).

Repeat for other hanger.

