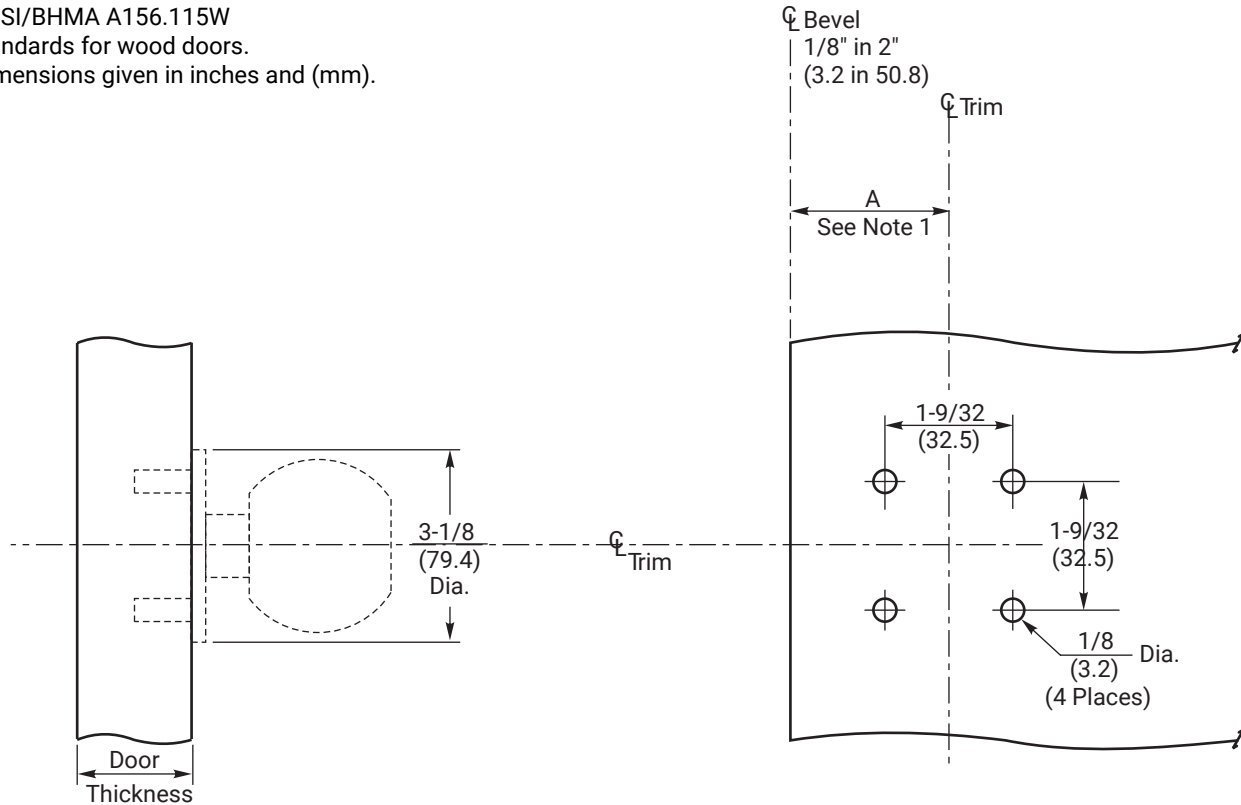


**NOTES:**

1. Backset is measured from centerline of bevel which is centerpoint of door thickness.
2. Door prep with 2-3/4" (70) backset meets ANSI/BHMA A156.115 standards for steel doors and ANSI/BHMA A156.115W standards for wood doors.
3. Dimensions given in inches and (mm).



Backset Dim. "A"	
2-3/4 (69.9)	Regular
2-3/8 (60.3)	Optional

**RESPONSIBILITY**  
 DOOR AND FRAME MANUFACTURERS ARE RESPONSIBLE FOR PROVIDING ADEQUATE CONSTRUCTION OR REINFORCEMENTS FOR PROPER INSTALLATION OF HARDWARE SHOWN. ALL ARCHITECTURAL BUILDERS HARDWARE MUST BE INSTALLED ON PROPERLY REINFORCED DOORS AND FRAMES, REGARDLESS OF TYPE, MATERIAL, OR METHOD OF CONSTRUCTION.

**5400CK Series Grade 1 Knob Locks  
 Dummy Trim**  
 Wood or Metal Door Preparation (See ANSI/BHMA A156.115)  
 1-855-557-5078 Ext. 2  
 www.accentra-assaabloy.com

**ACCENTRA**  
**ASSA ABLOY**

Experience a safer  
 and more open world

Copyright © 2016, 2023, 2024, ASSA ABLOY Access and Egress Hardware Group, Inc. All rights reserved. Reproduction in whole or in part without the express written permission of ASSA ABLOY Access and Egress Hardware Group, Inc. is prohibited.

SUPERSEDES	03/16	DO NOT SCALE DRAWING	
TEMPLATE NUMBER	7150-0118	SHEET	DATE
		1 of 1	05/24