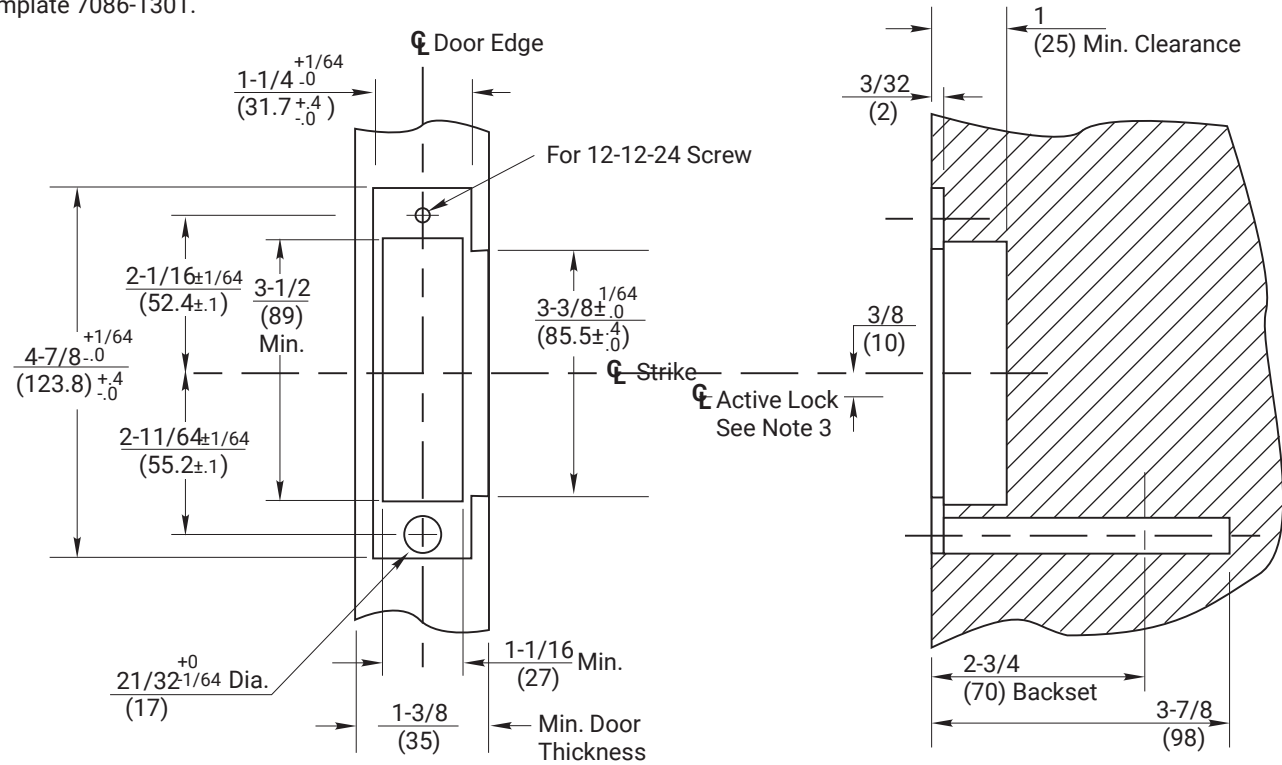


DO NOT SCALE

Notes:

1. Tolerances shown are for cutouts. All dimensions given about centerlines must be central within tolerance unless otherwise specified.
2. All dimensions given in inches (mm).
3. See template 7086-0002 for Active Wood Door.
4. For Sectional Trim see template 7086-1001.
For Thru Bolted Escutcheon Trim see template 7086-1201.
For Surface Applied Escutcheon Trim see template 7086-1301.



LH Inactive Door Shown
RH Inactive Door Opposite

Experience a safer
and more open world

Copyright © 2004, 2009, 2024, ASSA ABLOY ACCENTRA™ Access and Egress Hardware Group, Inc. All rights reserved. Reproduction in whole or in part without the express written permission of ASSA ABLOY Access and Egress Hardware Group, Inc. is prohibited.

**All Series Mortise Locks
Wood Door Preparation**
836B & 838B Dummy Trim Both Sides (ANSI 4-7/8" Strike)
1-855-557-5078 Ext. 2 www.accentra-assaabloy.com

**Template Number:
7086-0008**
Date: 04/24
Sheet: 1 of 1

ACCENTRA
ASSA ABLOY