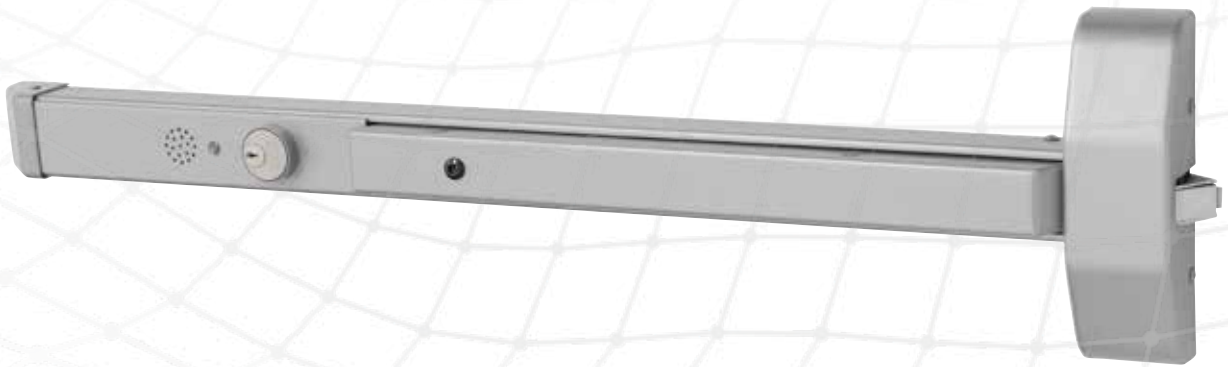


# 5300 Series Parts Manual



For assistance, contact SARGENT at  
800-727-5477 or [www.sargentlock.com](http://www.sargentlock.com)

Experience a safer  
and more open world

 **WARNING**

This product can expose you to lead which is known to the state of California to cause cancer and birth defects or other reproductive harm. For more information go to [www.P65warnings.ca.gov](http://www.P65warnings.ca.gov).

# TABLE OF CONTENTS



5300 Series Alarm Exit - Rail (Fire Rated) .....	3
5300 Alarm Exit - Rail (Standard) .....	4
5300 Alarm Exit - Chassis .....	5
5300 Alarm Exit - End Cap .....	6
5300 Alarm Exit - Pull Trim - HTB.....	7

The warranty on SARGENT® products becomes void if the product is modified in any way, regardless of whether the modification causes or contributes to any alleged defect. If a SARGENT product is modified it may no longer meet industry certification and quality control standards applicable to the original product and is no longer a genuine SARGENT product.

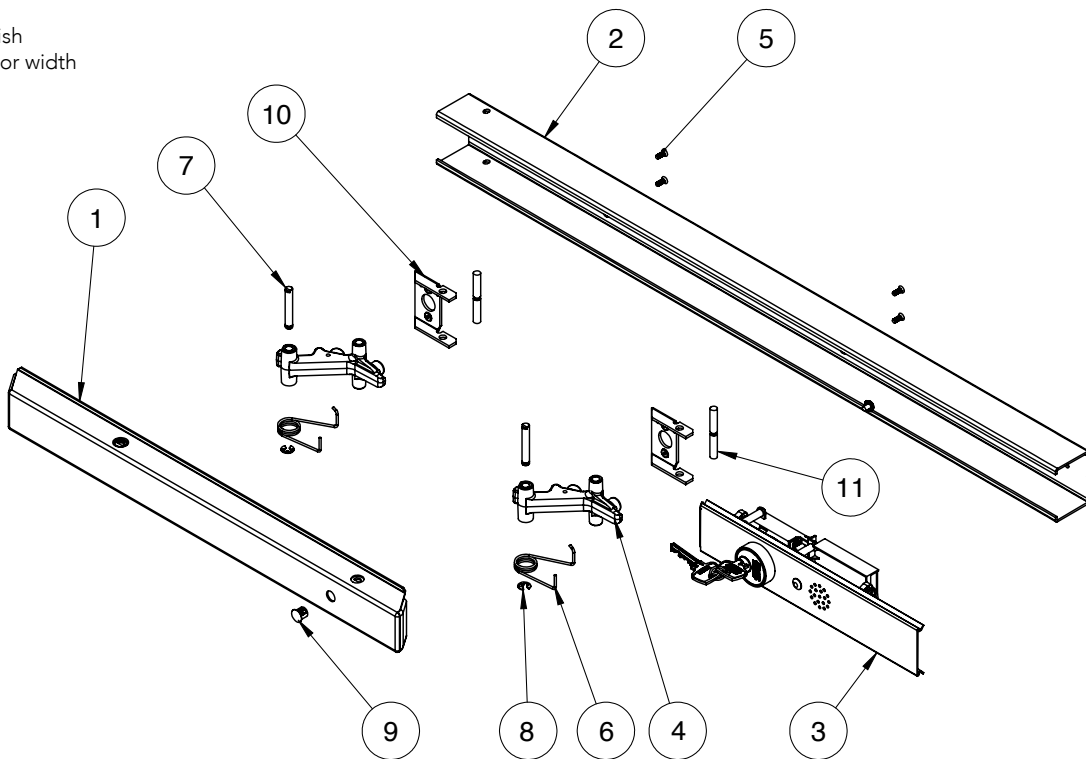
Copyright © 2019, 2025 Sargent Manufacturing Company, an ASSA ABLOY Group company. All rights reserved. Reproduction in whole or in part without the express written permission of Sargent Manufacturing Company is prohibited.

Experience a safer  
and more open world

Item	Part No.	Description	Qty	Sellable
1	68-0736	Push Rails: E <sup>1,2</sup>	1	
	68-0739	Push Rails: F <sup>1,2</sup>	1	
	68-0737	Push Rails: J <sup>1,2</sup>	1	
	68-0738	Push Rails: G <sup>1,2</sup>	1	
2	68-0950	Mounting Rail: E <sup>1,2</sup>	1	
	68-0952	Mounting Rail: F <sup>1,2</sup>	1	
	68-0948	Mounting Rail: J <sup>1,2</sup>	1	
	68-0949	Mounting Rail: G <sup>1,2</sup>	1	
3	52-5804	Insert Assembly: E <sup>1,2</sup>	1	
	52-2678	Insert Assembly: F <sup>1,2</sup>	1	
	52-2683	Insert Assembly: J <sup>1,2</sup>	1	
	52-2680	Insert Assembly: G <sup>1,2</sup>	1	
4	68-3609	Connecting Arm Assembly	2	
5	01-1236	CR-FHMS 6-32x0.375 <sup>1</sup>	4	
6	68-0236	Spring, Rail Arm	2	
7	68-0229	Pivot Pin (Push Rail)	2	
8	01-0098	Retaining Ring	2	
9	01-4537	Standard Hole Plug	1	
10	68-0943	Bracket	2	
11	68-0945	Pivot Pin Exit Device	2	

Notes:

- 1. Specify finish
- 2. Specify door width



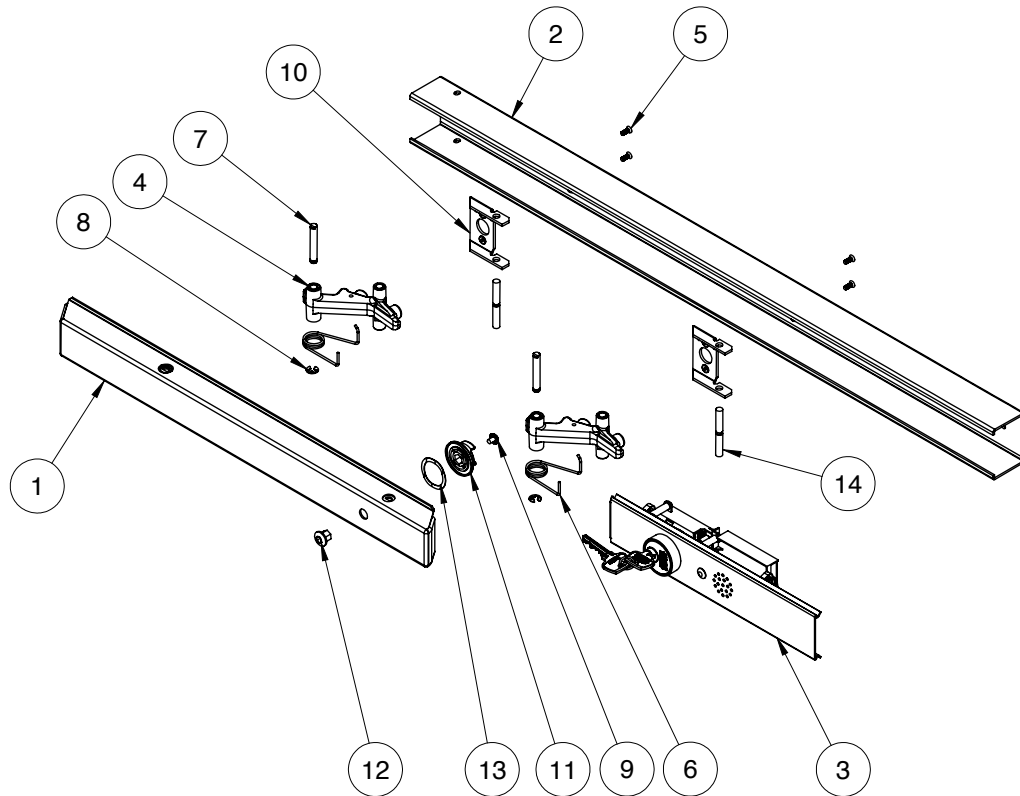
The warranty on SARGENT® products becomes void if the product is modified in any way, regardless of whether the modification causes or contributes to any alleged defect. If a SARGENT product is modified it may no longer meet industry certification and quality control standards applicable to the original product and is no longer a genuine SARGENT product.

Copyright © 2019, 2025 Sargent Manufacturing Company, an ASSA ABLOY Group company. All rights reserved. Reproduction in whole or in part without the express written permission of Sargent Manufacturing Company is prohibited.

Item	Part No.	Description	Qty	Sellable
1	68-0736	Push Rails: E <sup>1,2</sup>	1	
	68-0739	Push Rails: F <sup>1,2</sup>	1	
	68-0737	Push Rails: J <sup>1,2</sup>	1	
	68-0738	Push Rails: G <sup>1,2</sup>	1	
2	68-0950	Mounting Rail: E <sup>1,2</sup>	1	
	68-0952	Mounting Rail: F <sup>1,2</sup>	1	
	68-0948	Mounting Rail: J <sup>1,2</sup>	1	
	68-0949	Mounting Rail: G <sup>1,2</sup>	1	
3	52-5804	Insert Assembly: E <sup>1,2</sup>	1	
	52-2678	Insert Assembly: F <sup>1,2</sup>	1	
	52-2683	Insert Assembly: J <sup>1,2</sup>	1	
	52-2680	Insert Assembly: G <sup>1,2</sup>	1	
4	68-3609	Connecting Arm Assembly	2	
5	01-1236	CR-FHMS 6-32x0.375 <sup>1</sup>	4	
6	68-0236	Spring, Rail Arm	2	
7	68-0229	Pivot Pin (Push Rail)	2	
8	01-0098	Retaining Ring	2	
9	01-4466	Machine Screw SEMS	1	
10	68-0943	Bracket	2	
11	68-0582	Standard Dogging Cam (20 & 60)	1	
12	68-0583	Lockdown Button (20 & 80)	1	
13	01-0610	Wave Spring Washer	1	
14	68-0945	Pivot Pin Exit Device	2	

Notes:

- 1. Specify finish
- 2. Specify door width



A8266 09/25

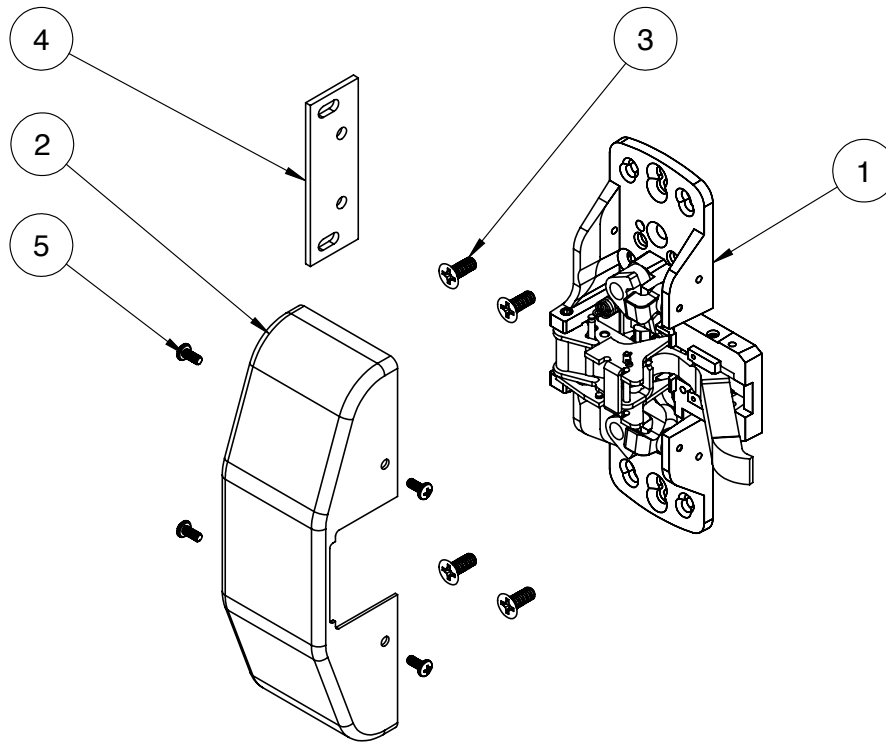
The warranty on SARGENT® products becomes void if the product is modified in any way, regardless of whether the modification causes or contributes to any alleged defect. If a SARGENT product is modified it may no longer meet industry certification and quality control standards applicable to the original product and is no longer a genuine SARGENT product.

Copyright © 2019, 2025 Sargent Manufacturing Company, an ASSA ABLOY Group company. All rights reserved. Reproduction in whole or in part without the express written permission of Sargent Manufacturing Company is prohibited.

Item	Part No.	Description	Qty	Sellable
1	68-4411	Chassis Assembly (12-) <sup>2</sup>	1	
	68-4410	Chassis Assembly <sup>2</sup>	1	
2	28-0138	Cover Chassis (5300) <sup>1</sup>	1	
3	68-3922	Screw Pack (12-) <sup>1</sup>	1	
4	98-0036	Strike Shim (641 Strike) <sup>1</sup>	1	
5	68-3906	Screw Pack <sup>1</sup>	1	
Not Shown	649	Strike Pack <sup>1</sup>	1	
	68-2143	Screw Pack <sup>1</sup>	1	

Notes:

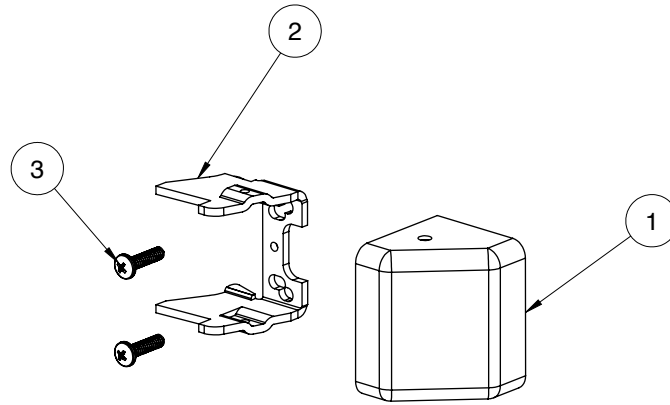
1. Specify finish
2. Specify standard or fire rating



# 5300 ALARM EXIT - END CAP

Item	Part No.	Description	Qty	Sellable
1	28-0110	End Cap <sup>1</sup>	1	
2	68-1434	Mount Bracket	1	
3	68-5991	Screw Pack (12-) <sup>1</sup>	1	

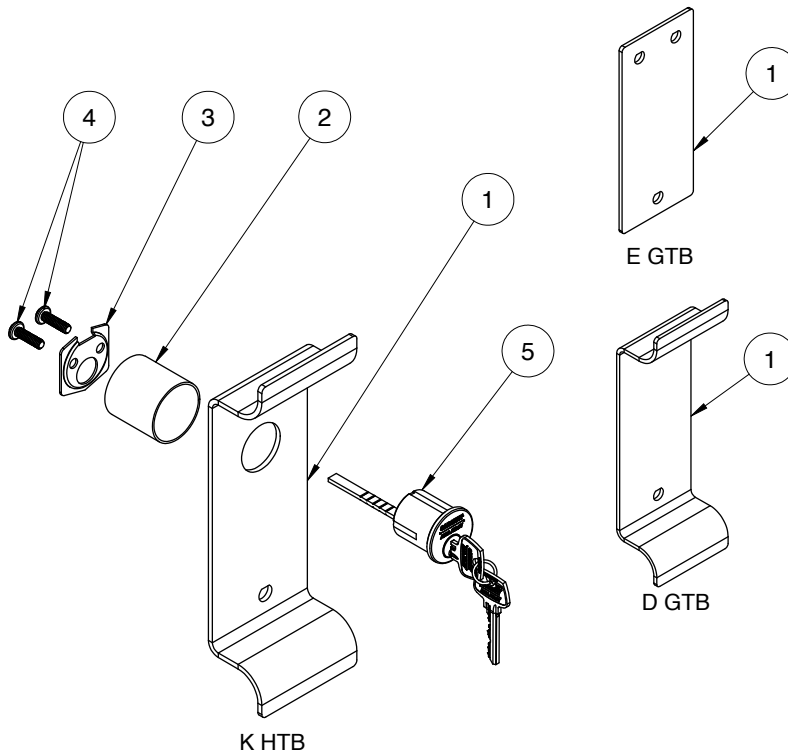
Note:  
1. Specify finish



Item	Part No.	Description	Qty	Sellable
1	28-0136	Pull Trim K HTB <sup>1</sup>	1	
	28-0134	Pull Trim E GTB <sup>1</sup>	1	
	28-0135	Pull Trim D GTB <sup>1</sup>	1	
2	28-0025	Cylinder Sleeve <sup>3</sup>	1	
3	13-0086	Cylinder Back Plate	1	
4	01-1189	Retaining Screw <sup>1,3</sup>	1	
5	649	Cylinder* $\phi$ <sup>1,2</sup>	1	
Not Shown	28-2017	Screw Pack 1 3/4" Doors <sup>1,3</sup>	1	
	28-2018	Screw Pack 2 1/4" Doors <sup>1,3</sup>	1	

Notes:

1. Specify finish
2. Specify #34 rim cylinder by keying requirements
3. Specify door thickness



The ASSA ABLOY Group is the global leader in access solutions. Every day, we help billions of people experience a more open world.

ASSA ABLOY Opening Solutions leads the development within door openings and products for access solutions in homes, businesses and institutions. Our offering includes doors, frames, door and window hardware, locks, perimeter fencing, access control and service.

**SARGENT**  
**ASSA ABLOY**

SARGENT Manufacturing Company  
100 Sargent Drive  
New Haven, CT 06511 USA  
800-727-5477  
[www.sargentlock.com](http://www.sargentlock.com)

Founded in the early 1800s, SARGENT® is a market leader in locksets, cylinders, door closers, exit devices, electro-mechanical products and access control systems for new construction, renovation, and replacement applications. The company's customer base includes commercial construction, institutional, and industrial markets.

Copyright © 2019, 2025, SARGENT Manufacturing Company. All rights reserved. Reproduction in whole or in part without the express written permission of SARGENT Manufacturing Company is prohibited. Patent pending and/or patent [www.assaabloydss.com/patents](http://www.assaabloydss.com/patents).