

TEMPLATE T-FM120_RG_HD1

Effective date: May 1, 2024

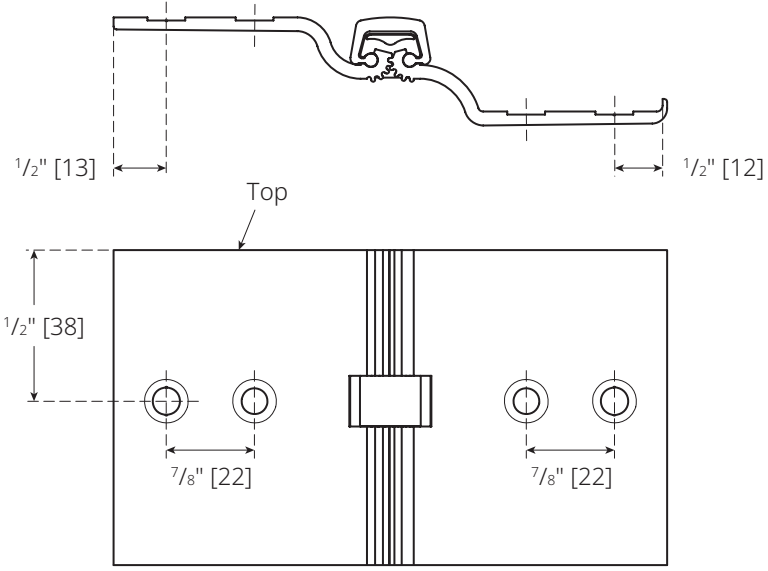
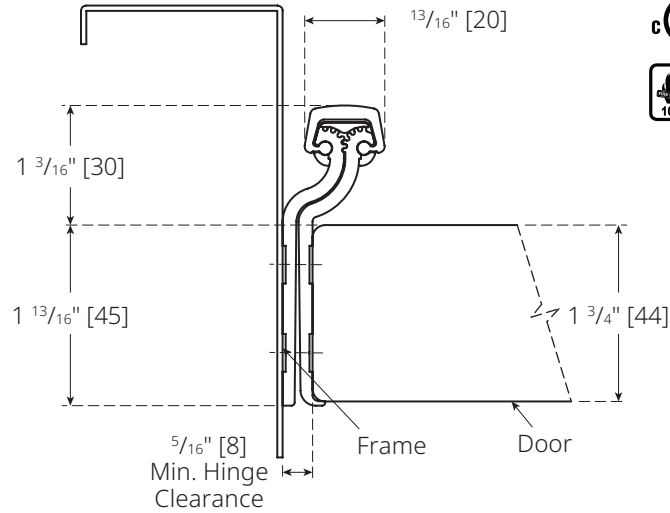
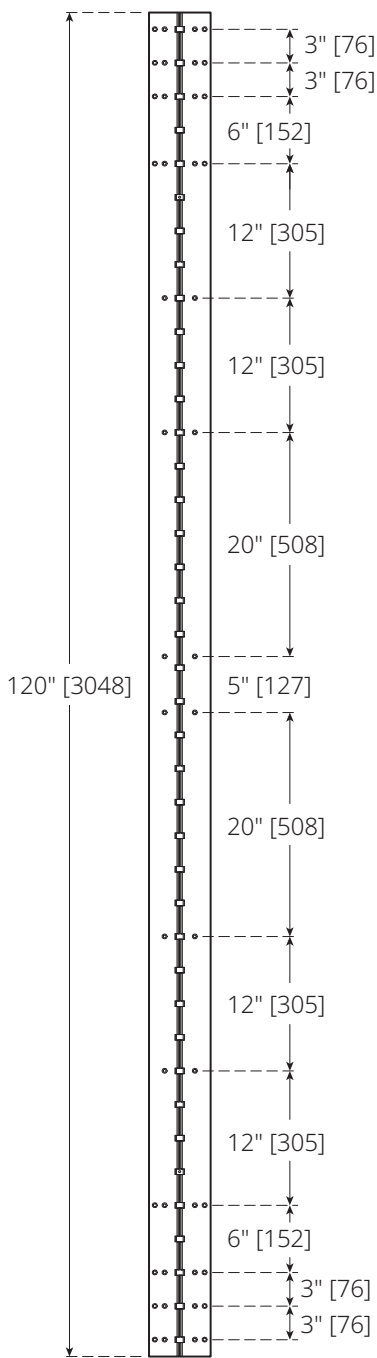
Supersedes: All Previous



Experience a safer
and more open world

NOT TO SCALE

PEMKO 120" FULL MORTISE RAISED GEAR HD1 HINGE



**** CAUTION ****
Due to Frame Installation
Variations, Pre-drilling
for Fasteners
IS NOT Recommended

Additional clearance needed for bevelled edge hinge side of door.

Pemko
5535 Distribution Dr.
Memphis, TN 38141
www.pemko.com
800 824 3018

4226 Transport St,
Ventura, CA 93003
800 283 9988

NOTE: Pemko reserves the right to make product changes and is not responsible for obsolete template errors. To ensure your template is current please visit our website at www.pemko.com or call us at 800 824 3018

Copyright © 2018-2024, ASSA ABLOY Accessories and Door Controls Group, Inc. All rights reserved. Reproduction in whole or in part without the express written permission of ASSA ABLOY Accessories and Door Controls Group, Inc. is prohibited. Printed in the U.S.A T - 040 - FM120_RG_HD1 6/24