

TEMPLATE T-HS85_STD_HD1

Effective date: May 1, 2024

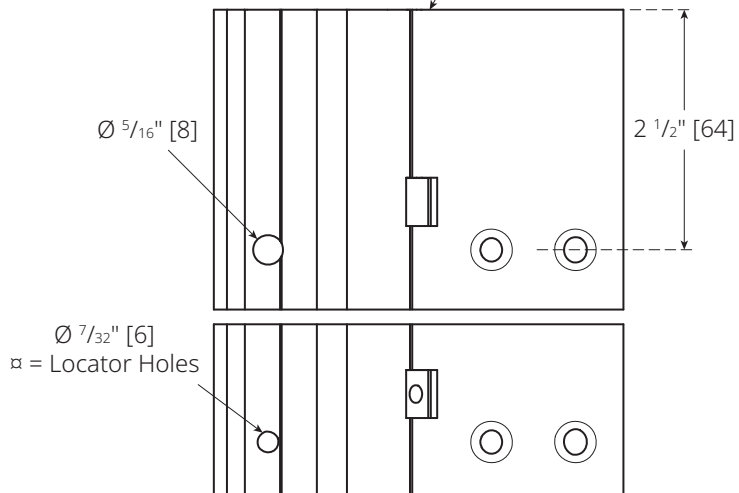
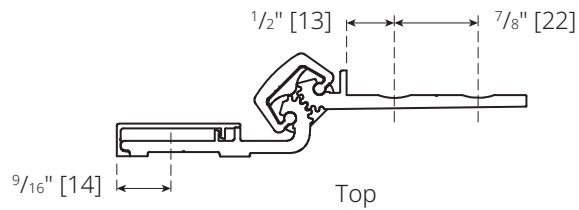
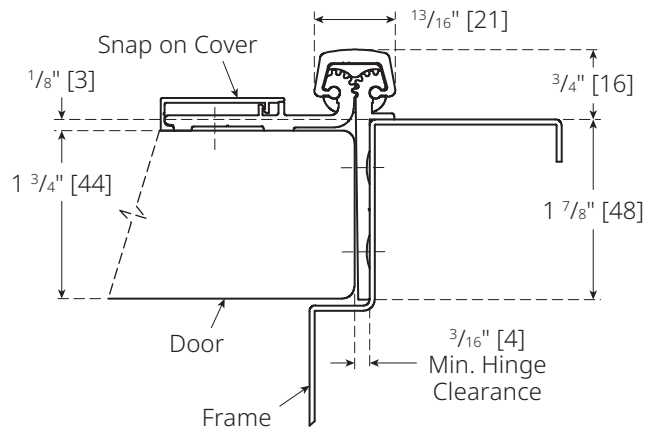
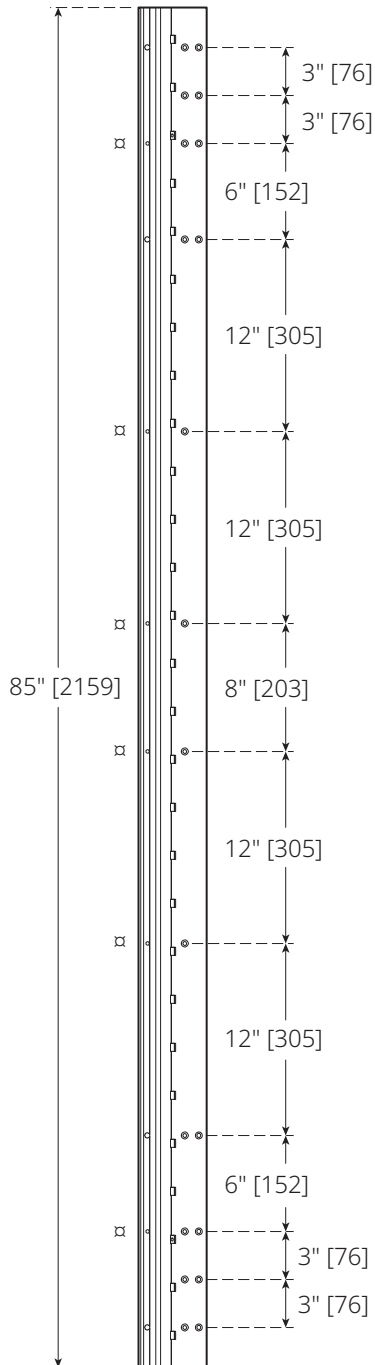
Supersedes: All Previous



Experience a safer and more open world

NOT TO SCALE

PEMKO 85" HALF SURFACE STD & HD1 HINGE



**** CAUTION ****
Due to Frame Installation Variations, Pre-drilling for Fasteners IS NOT Recommended

Additional clearance needed for bevelled edge hinge side of door.

Pemko
5535 Distribution Dr.
Memphis, TN 38141
www.pemko.com
800 824 3018

4226 Transport St,
Ventura, CA 93003
800 283 9988

NOTE: Pemko reserves the right to make product changes and is not responsible for obsolete template errors. To ensure your template is current please visit our website at www.pemko.com or call us at 800 824 3018

Copyright © 2018-2024, ASSA ABLOY Accessories and Door Controls Group, Inc. All rights reserved. Reproduction in whole or in part without the express written permission of ASSA ABLOY Accessories and Door Controls Group, Inc. is prohibited. Printed in the U.S.A T - 294 - HS85_STD_HD1 6/24