



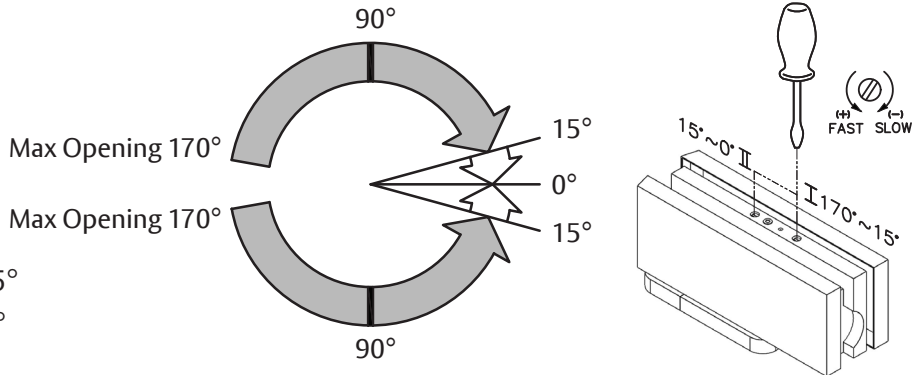
Hydraulic Patch Fitting

Experience a safer
and more open world

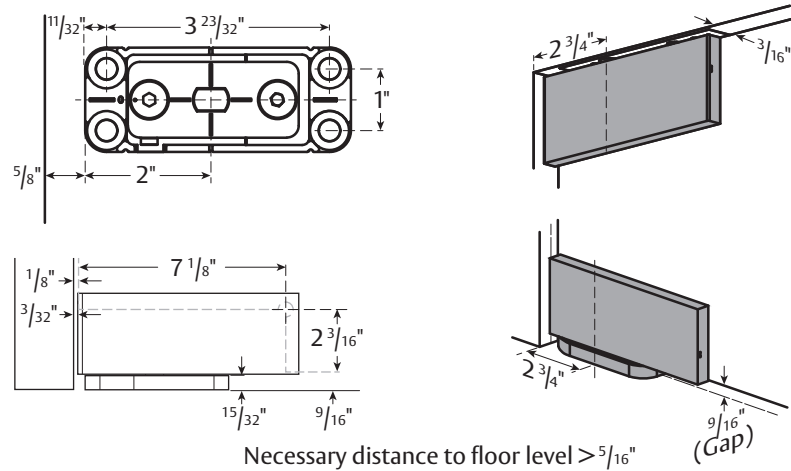
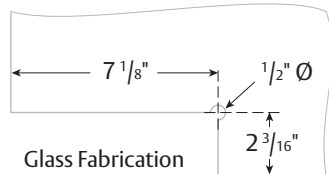
Adjustment

Adjustment of closing speed:

- Two regulating valves (I) and (II) .
 - decrease speed. 
 - increase speed. 
- Valve (I): control closing range 170°-15°
- Valve (II): control latching range 15°-0°

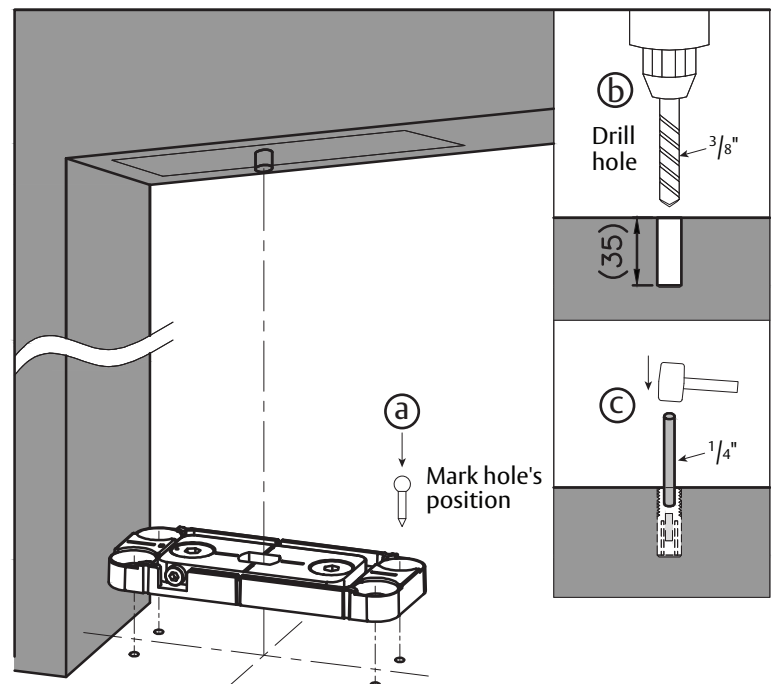


Patch Fittings



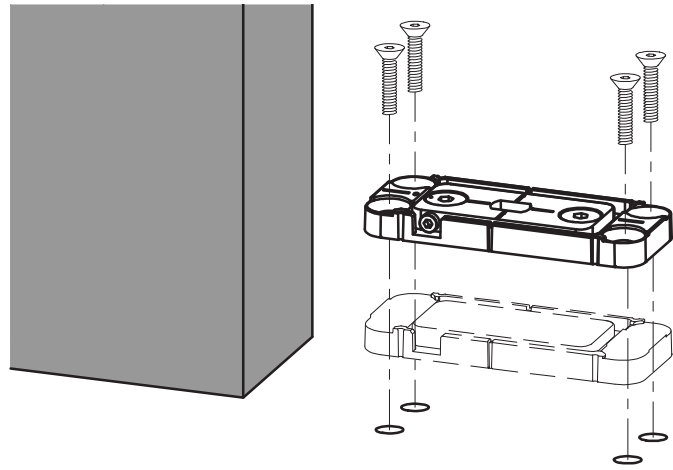
Instructions

1. a: Mark hole positions.
b: Drill four $\varnothing 3/8$ " holes, 1 $3/8$ " deep.
c: Drive $\varnothing 1/4$ " anchors.

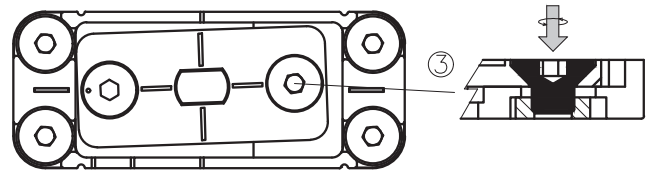
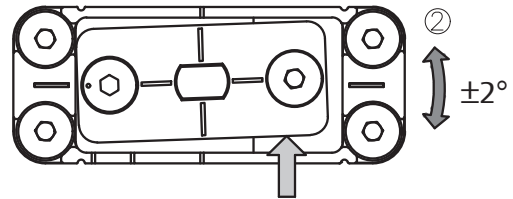
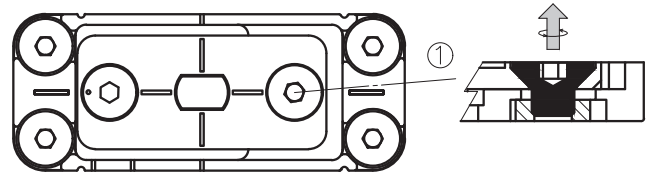
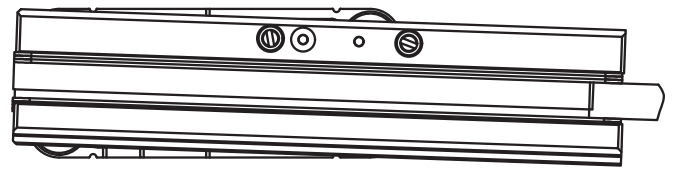
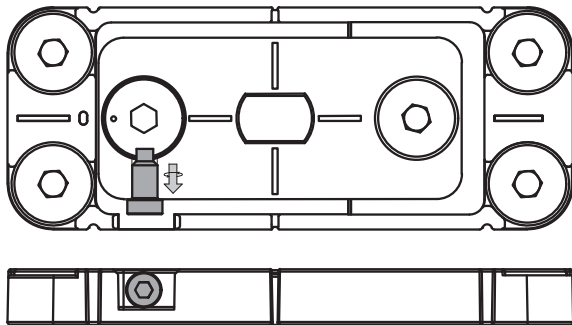
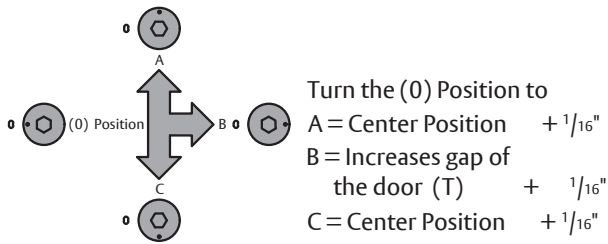
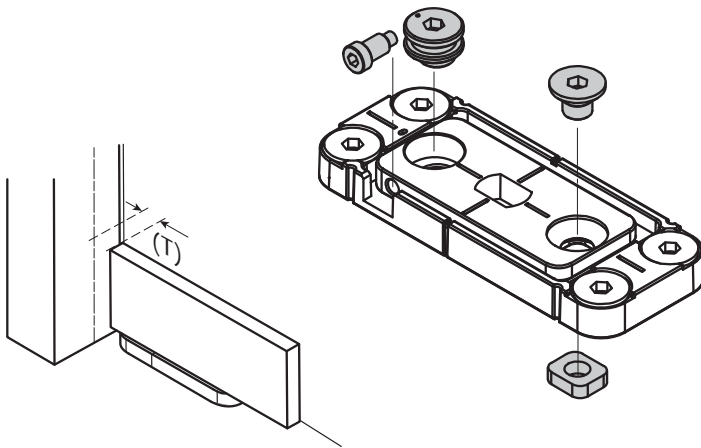


2. Install floor plate using four M8 x 30MM bolts.

NOTE: Hydraulic Patch is set for the minimum bottom door clearance of $\frac{9}{16}$ ", choose appropriate Shim Plate for desired clearance. When Shim Plates are used longer screws may be needed (not provided).



3. Use floor plate adjustments to align patch fitting in opening.

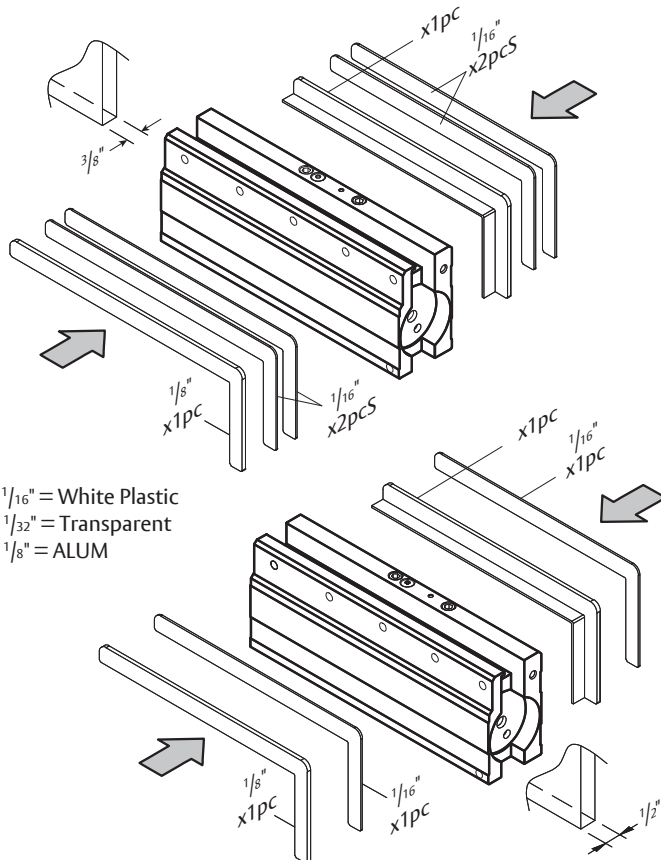
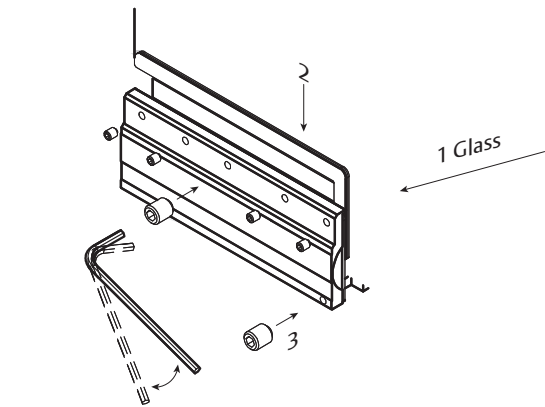
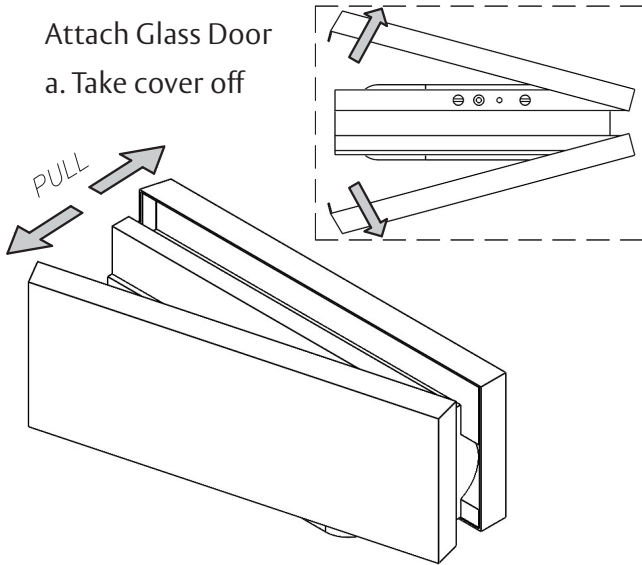


ASSA ABLOY
Opening Solutions

Experience a safer
and more open world

4. Attach Glass Door

a. Take cover off

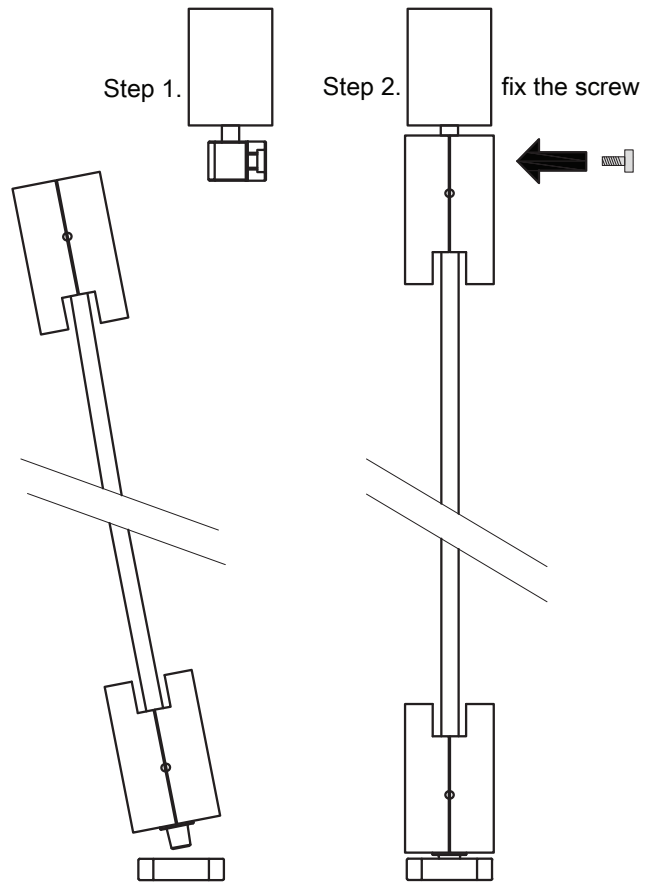


1/16" = White Plastic
 1/32" = Transparent
 1/8" = ALUM

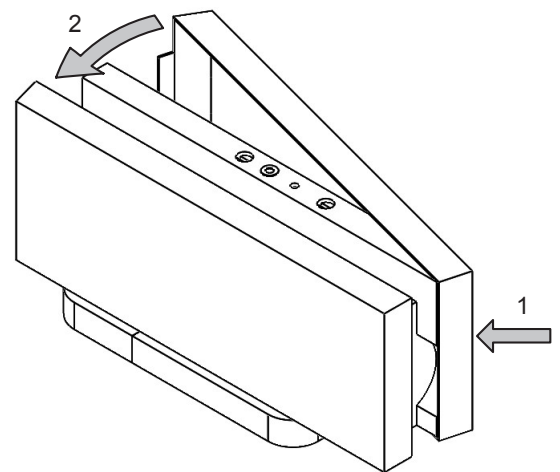
Step 1.

Step 2.

fix the screw



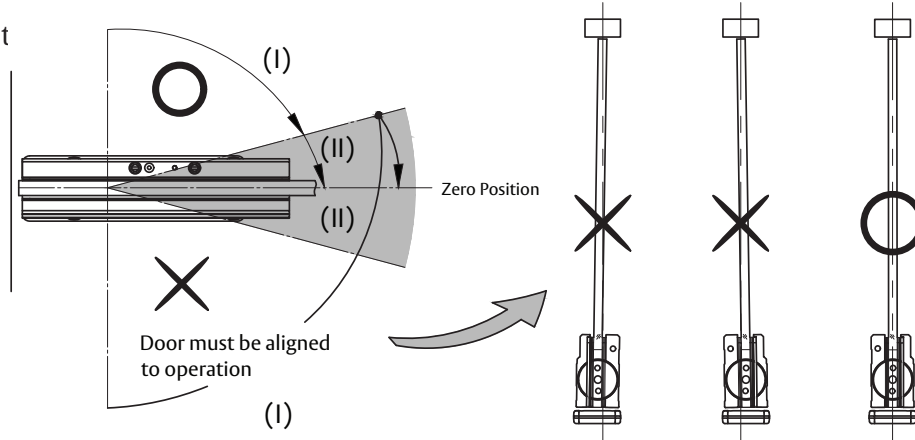
6. Replace cover.



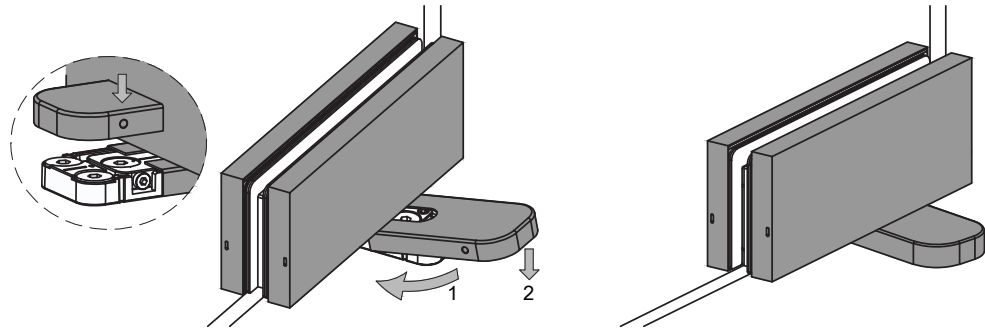
ASSA ABLOY
 Opening Solutions

Experience a safer
 and more open world

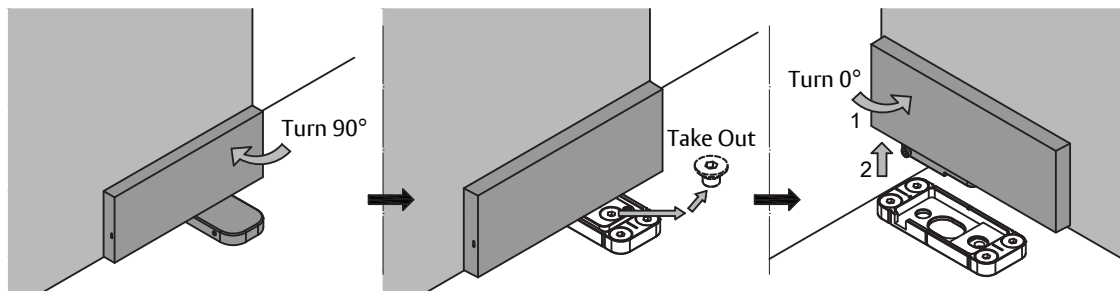
7. Adjust door alignment with top pivot.



8. Install decorative cap.



Removal



IMPORTANT INSTALLATION NOTES:

1. Open the door leaf to its maximum opening angle and release. The door leaf should close fully into the door frame and overcome the latch.
2. Open the door leaf and rest the latch bolt on the striker plate. Release the door leaf. The door closer should have sufficient power to latch the door leaf closed.

MAINTENANCE:

1. Check the door closer every three months to ensure all fixings are secure and adjust, if necessary, adjust the closing and latching speed and mark the door operating both functionally and smoothly, in accordance with the expectations of BS EN 1154:1997.
2. Apply light oil to arm knuckle joint and door hinges.