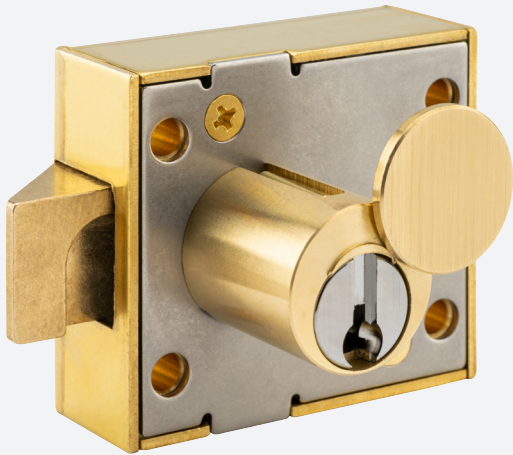


Traffic Cabinet Lock

medeco
ASSA ABLOY

Experience a safer
and more open world



All across America, the flow of traffic in our cities is regulated by Intelligent Traffic System (ITS) cabinets that are located on every street corner. ITS cabinets protect the electronic systems that control traffic lights.

The majority of these cabinets are currently locked with outdated and unsecure locks that have a universal and easy-to-duplicate key. These keys are available to purchase online and without authorization, making these critical points of traffic control vulnerable to vandalism or attack.

With its solid brass construction and a cylinder that resists attacks such as picking, drilling, or bumping, Medeco's Traffic Cabinet Lock provides the high level of physical protection required for ITS cabinets. Additionally, Medeco keys, with their unique and individual key cuts, can only be duplicated at an authorized Medeco Service Center and only with proper authorization.

The Medeco Traffic Cabinet Lock with a simple retrofit design requiring no hardware changes or door modifications is the quickest, most cost-effective way to add the protection necessary to help eliminate intrusion, and to help secure the advanced equipment contained within these cabinets.

Problems in Traffic Control

• Key Control

The majority of ITS cabinets use a mechanical "#2 key," which can be obtained without authorization from many sources, even online. These keys are uncontrolled, easily duplicated, and there are thousands in circulation.

• Traffic Signal Boxes

Intelligent Traffic System (ITS) controls enable access to city and state networks.

• Traffic Signals

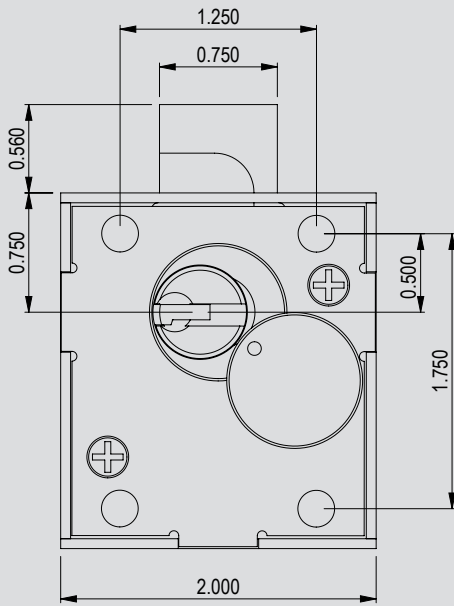
Tampering with traffic signals could cause significant traffic disruption and loss of life.

• Roadside Equipment

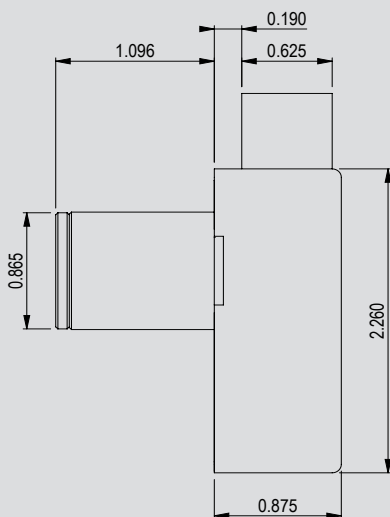
Speed monitors, digital signage and other roadside equipment is exposed to tampering.



The ASSA ABLOY Group is the global leader in access solutions. Every day, we help billions of people experience a more open world.



Front and Side Views



BENEFITS:

- Easy, cost-effective upgrade: direct replacement for existing locks
- Fits existing ITS cabinets, no modification needed
- Restricted and patent-protected keys can only be duplicated by Medeco Service centers with proper authorization

FEATURES:

- Indoor/Outdoor use - machined brass and stainless steel construction
- UL 437 Listed cylinder helps protect against various forms of physical attack, including picking, bumping and drilling
- Keys are Made of strong nickel-silver, guaranteed for life against breakage
- Deadbolt and Slambolt options available

WARRANTY:

- Warranted for two (2) years against manufacturer’s defects.

Description	Part Number
Traffic Cabinet Lock - Deadbolt	49 0435
Traffic Cabinet Lock - Slambolt	49 0436

Medeco Traffic Solutions are available only through authorized Medeco Service Centers and select partners. Call Medeco Customer Service for additional information.

MEDECO U.S.:
3625 Alleghany Drive
Salem, Virginia 24153-0330
Customer Service: 1-877-633-3261

MEDECO Canada:
160 Four Valley Drive
Vaughan, Ontario L4K 4T9
Customer Service: 1-888-633-3264