

# PEMKO DOOR BOTTOM SOLUTIONS FOR SINGLE DOORS

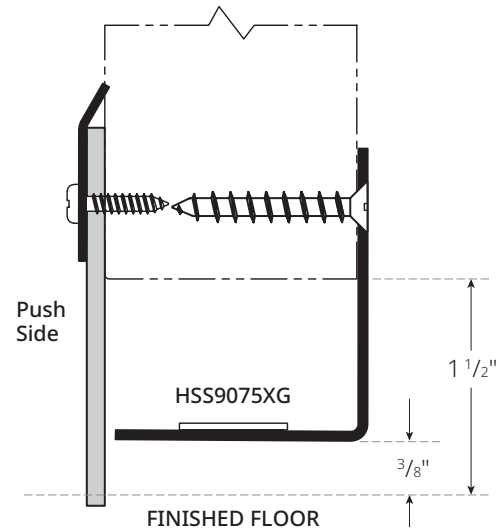
Experience a safer  
and more open world

Applies to the following products:

**325XGSSN**

## Installation instructions:

1. Measure, mark, and trim door bottom sweep to fit width of door. NOTE: Door Sweep should be installed on push side of door.
2. Measure, mark, and trim door bottom angle to full width of door. NOTE: Door Bottom Angle should be installed on pull side of door. Clearance above finish floor should be  $\frac{3}{8}$ ".
3. Drill pilot holes in door at marks for each piece ( both sides of the door). NOTE: For wood doors, fasteners should be drilled into the door's bottom rail.
4. Install HSS9075XG onto bottom leg of angle (as shown). Thoroughly clean the material and carefully peel adhesive backing to apply using firm pressure to ensure adhesion. Trim gasketing to length using scissors.
5. Mount each piece to door with supplied fasteners.
6. Mount end plates with supplied fasteners.

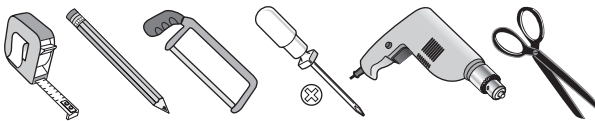


## Testing/Ratings:

Solutions for door and frame clearances that exceed the guidelines of NFPA 80 when installed per the manufacturer's instructions, intended for use with UL or Intertek Classified steel composite, hollow metal, wood, and plastic covered composite core doors with UL or Intertek listed frames rated up to 1 1/2 hours.



## Tools Required:



Pemko  
5535 Distribution Dr.  
Memphis, TN 38141  
www.pemko.com

Memphis, TN USA  
P: 800 824 3018  
F: 800 243 3656

Ventura, CA USA  
P: 800 283 9988  
F: 800 283 4050

Vaughan, ON CA  
P: 800 461 3007  
F: 800 461 8989

# PEMKO DOOR BOTTOM SOLUTIONS FOR PAIRED DOORS

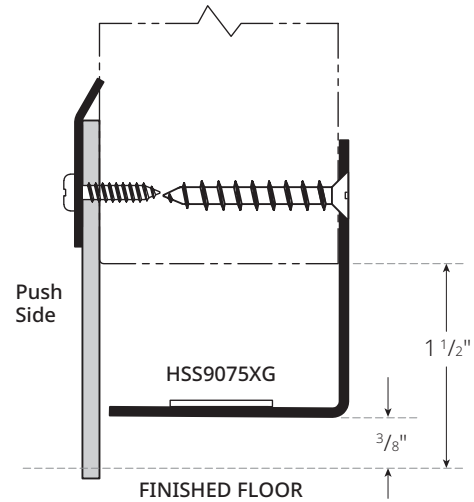
Experience a safer  
and more open world

Applies to the following products:

**325XGSSN**

## Installation instructions:

1. Measure, mark, and trim door bottom sweep to fit width of door. NOTE: Door Sweep should be installed on push side of door.
2. Measure, mark, and trim door bottom angle to full width of door. NOTE: Door Bottom Angle should be installed on pull side of door. Clearance above finish floor should be  $\frac{3}{8}$ ".
3. Drill pilot holes in door at marks for each piece ( both sides of the door). NOTE: For wood doors, fasteners should be drilled into the door's bottom rail.
4. Install HSS9075XG onto bottom leg of angle (as shown). Thoroughly clean the material and carefully peel adhesive backing to apply using firm pressure to ensure adhesion. Trim gasketing to length using scissors.
5. Mount each piece to door with supplied fasteners.
6. Mount end plates with supplied fasteners.
7. Repeat steps 1-6 on the other paired door.

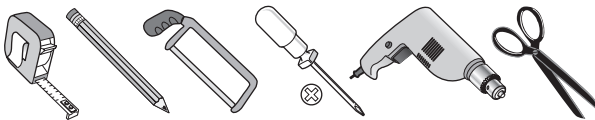


## Testing/Ratings:

Solutions for door and frame clearances that exceed the guidelines of NFPA 80 when installed per the manufacturer's instructions, intended for use with UL or Intertek Classified steel composite, hollow metal, wood, and plastic covered composite core doors with UL or Intertek listed frames rated up to 1 1/2 hours.



## Tools Required:



Pemko  
5535 Distribution Dr.  
Memphis, TN 38141  
www.pemko.com

Memphis, TN USA  
P: 800 824 3018  
F: 800 243 3656

Ventura, CA USA  
P: 800 283 9988  
F: 800 283 4050

Vaughan, ON CA  
P: 800 461 3007  
F: 800 461 8989