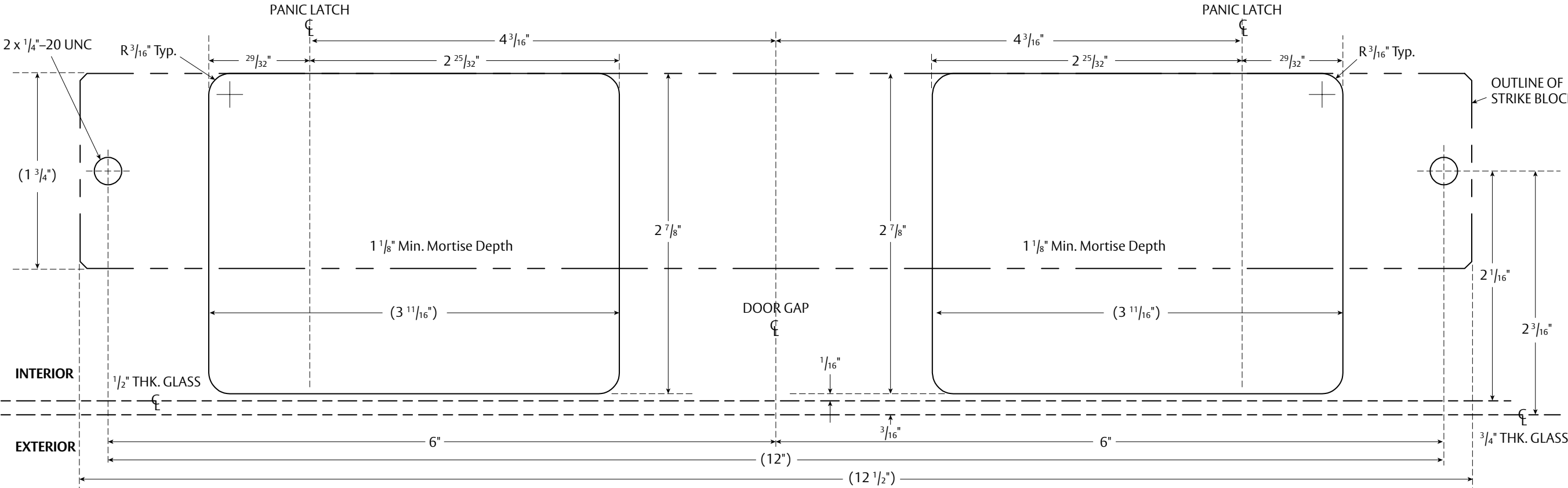


ESK-PDU8000-1600-DBL-GLASS PDU8000 Double 1600 Electric Strike for Glass Doors

Experience a safer
and more open world



- Notes:
1. Allowable gap between doors is $\frac{1}{8}$ "
consult factory if gap is not $\frac{1}{8}$ "
allowable
backset for double doors is $4 \frac{1}{8}$ ".
 2. View is from bottom of header.
 3. Prep shown is for glass doors only.
 4. $\frac{1}{4}$ "-20 fasteners provided.

PRINT ON 17" X 11" PAPER OR LARGER AT 1:1 SCALE. VERIFY MEASUREMENTS AFTER PRINTING BEFORE USING THIS AS A TEMPLATE.

VIEW LOOKING UP
All Glass Door

Template

T-PDU8000-ESK-1600
DBL-GLASS

Effective date: Nov. 12, 2022
Supersedes: All Previous

NOTE: ASSA ABLOY reserves the right to make product changes and is not responsible for obsolete template errors. To ensure your template is current, please visit our website at www.assaabloyglass.us or call us at 855.594.6989.