

Medeco® XT

Medeco® XT Intelligent Key Ecosystem

Building on Medeco's 55-year history of creating high security key control products, the Medeco XT Intelligent Key Ecosystem takes key systems to a completely new level.

Medeco XT adds security, regulatory compliance and accountability to practically every opening in a fast, efficient way. A Medeco XT Ecosystem enhances businesses by providing the valuable data and tools needed to be more profitable or meet compliance requirements.

Overview: The Medeco XT Ecosystem consists of a robust electronic locking and access control system that is managed by state-of-the-art web based system software.

Medeco XT overcomes current keying issues by keeping security high even if someone loses a key.

Medeco XT also adds access control capability in hard to reach areas such as safes, cabinets, gates (padlocks), etc. In addition, with the new AIM (Access Interface Module) Device, imagination is your only limitation regarding what to control next with your XT key.



Audit Accountability

Audit information recorded in both the lock and key shows a time- and date-stamped record of every event, including authorized accesses and unauthorized attempts.



Uses Existing Hardware

Medeco XT key provides all power to the cylinder, eliminating the need for any hardwiring or power supply. Simply remove the existing mechanical cylinder and install the Medeco XT cylinder.



Reduces Risk of Lost Keys

Respond quickly to security threats, lost or stolen keys, or personnel changes without the added cost of changing your locks and keys.



Electronic Scheduling

Keys are electronically programmed to open only specific locks during a designated schedule. Schedules may also contain an expiration point to completely disable the key until it is audited and reprogrammed.



Medeco Data Dashboard

System audit data is displayed in a new graphical way on the Medeco dashboard. The 'Glances' display consists of several mini-dashboards that provide insight into your system configuration and audit events.



Data Analytics

The Visual Audit feature of Medeco XT Web manager software converts audit data into a simple graphic dashboard. Security Administrators can see access trends and irregularities at a glance!

Key Features:

- Small, robust electronic key with stainless steel housing
- Intelligent key holds all access and schedule data
- Rechargeable battery
- Stand-alone, network, Web and mobile programming options

Warranty:

Medeco Security Locks warrants Medeco XT products to be free of defects in material and/or workmanship for a period of two (2) years from date of original purchase (except where noted). An extended warranty is available for purchase at the time of the original order.

Product Specifications:

Lock / Cylinder Features

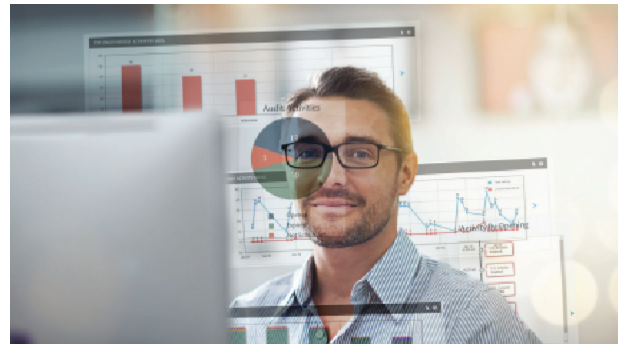
- No wiring required—all power provided by the key
- Indoor / outdoor use—stainless steel shell construction
- 2,000 audit events
- Unauthorized key list
- Variety of retrofit cylinder formats

XT Software and Options:

XT Software and Options: The Medeco XT Web Manager software is an integral part of the Medeco XT Ecosystem. The software not only helps manage the XT Intelligent Key System in flexible and cost-effective manner, but also provides business-enhancing tools.

The XT Web Manager SaaS (Software as a Service) software is available as either a Medeco-hosted or End-user hosted option. The Medeco-hosted option takes advantage of the power, convenience and security of Amazon Web Services (AWS) and is offered in several pricing levels. This option offers high-availability, secure web access, no start-up fees, and a multitude of AWS optional services to meet any customer's needs.

All Admin functions are handled by trained and certified IT personnel. Medeco holds ISO 27001 Certification for internal information and asset security.



Medeco-AWS Hosted Options:

| Description | Part Number | Annual License Fee |
|--|--|--------------------|
| Enterprise: Medeco can create a custom offering for large enterprise class systems that need more options to support their needs (see Web Hosting below). Speak to your local sales representative for more details. | Note: Depends on options and # of keys | Custom quoted |
| Premium: Includes all the functionality of Advanced plus, access to other custom AWS services, and Pro Service Remote Training and support (4 hours annually — a \$2,660 value). Limit 1,500 keyholders. | SW-500301-4 | \$6,624.00 |
| Advanced: Designed for mid-size systems. Adds Remote & Mobile programming & extended schedules to the Basic version. Limit 750 keyholders. | SW-500301-3 | \$4,049.00 |
| Basic: Designed for smaller systems: Effectively manage your XT Intelligent Key system with all the basic functionality which includes Schedules, Audit, Groups, Data Dashboard & Visual Audit. Limit 250 keyholders. | SW-500301-2 | \$1,290.00 |
| <p>Web Hosting custom options available at additional cost include: Dedicated Server for very large systems, regulatory compliance configurations, database archiving, Country/Region customization and more. Please contact your local Medeco sales rep for more information.</p> <p>Multi-year hosting available.</p> <ul style="list-style-type: none"> • Dedicated Server for large systems • Country/Region customization • Regulatory compliance configurations • Custom database archiving • Multi-Year Hosting | | |
| <i>These offerings are billed annually.</i> | | |

Medeco-AWS Hosted Service – End User Startup Checklist:

| Description | Quantity | Part Number | Price |
|--|----------|-------------|----------|
| XT Programming Device | 1 | EA-100109 | \$425.00 |
| USB Cable | 1 | EA-200058 | \$41.50 |
| Deoxit Contact Cleaning Pen (gold contact cleaner) | 1 | CP-301290 | \$91.30 |

Medeco XT Self-Hosted Software

These systems are set up and hosted by the End-User: End-User is responsible for supplying all necessary hardware & expertise for server set up, maintenance, backups, etc.

See Professional Services section for assistance with configuration and set up of your XT system.

| Description | Part Number | One-Time Fee | Annual Fee |
|---|---|--------------|------------|
| XT Enterprise Self-Hosted Software. All the features of the Advanced version along with support for very large systems plus more advanced and/or future functionality.* | SW-600901-1 | \$61,473.00 | |
| Enterprise Self-Hosted Annual Recurring Maintenance Fee – receive all software updates and bug fix releases, installation support, and an additional software license for a test server. | SW-600901-1R | | \$9,222.00 |
| XT Enterprise Self-Hosted Software with XT IKC Support | SW-600901-2 | \$62,620.00 | |
| XT Advanced Self-Hosted Software: for mid to large systems. Includes features such as Remote and Mobile programming, Visual Audit, Who has Access reporting, etc.* | SW-600901 | \$28,101.00 | |
| Advanced Self-Hosted Annual Recurring Maintenance Fee – receive an additional software license, software updates and bug fixes and installation support. | SW-600901-R | | \$4,217.00 |
| XT SOLO – Same interface as our XT Web based software but designed for standalone applications. Does not support Remote or Mobile programming.* | SW-500301-1 | \$1,711.00 | |
| XT SOLO Software Maintenance Fee – receive software updates and installation support for same | SW-500301-1R | | \$342.00 |
| API Interface available for custom applications/integrations | Contact your local sales representative for more details. | | |
| <i>Maintenance fees are billed annually.</i> | | | |
| <p>Self-hosted software purchases entitle the user to a single user license with no annual license fees. Purchase also entitles user to an additional license for an on-site test server. (Medeco always recommends introducing a new version of software to a test server before deploying to their live system.)</p> <p>Recurring maintenance is recommended and provides an additional license for test server, regular software program updates, maintenance releases, patches, and basic level technical telephone assistance.</p> <p>Customers who are not paying the recurring maintenance fee but that wish to upgrade their XT Web Manager software must contact their dealer or Medeco Representative for a quote.</p> <p>Note: Medeco Tech support cannot support software versions that are over two years old without the addition of Professional Services</p> | | | |

* Also requires the purchase of a system setup dongle. Part number EA-250059.

Self-Hosted Software – End User Startup Checklist (Required Items):

| Description | Quantity | Part Number | Price |
|--|----------|-------------|----------|
| XT Programming Device | 1 | EA-100109 | \$425.00 |
| USB Cable | 1 | EA-200058 | \$41.50 |
| Enhanced USB System Dongle or alternatively an Electronic File | 1 | EA-250059 | \$126.00 |
| Deoxit Contact Cleaning Pen (gold contact cleaner) | 1 | CP-301290 | \$91.30 |

Medeco® XT Intelligent Keys

Medeco® XT Electronic Locking Systems

The Medeco XT keys are small, robust, convenient and portable. They are built to withstand even the toughest environments.

The Medeco XT keys have dynamic memory which can adjust the number of audit transactions and cylinder access the key can store. Medeco XT keys also utilize a rechargeable battery and can be purchased with a portable charger to ensure you are never locked out due to a dead battery. The key provides feedback to indicate when a charge is required.

There are two key models in the XT line. The 'Slim Line' key is designed for just about every application except those extreme and abusive environments, where the 'Rugged' key is recommended.



G4R Rugged Key Features:

- Hardened stainless steel housing that will stand up in the toughest environments
- Portable and rechargeable
- Top-mounted LED for convenient access feedback

G4R Rugged Key Applications:

The XT Rugged key was designed for users that want a small, robust credential that will stand up to the most extreme environments. Tested for drop, shock and temperature extremes.

Slim Line Key Features:

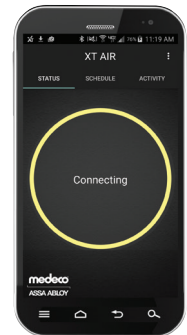
- Polished, hardened stainless steel frame for strength and durability
- Soft-touch coating
- Dual-LED indicators for greater visibility
- Raised orientation dimples (allow for feeling the orientation of the key) for easier use
- High-capacity memory

Slim Line Key Applications:

The XT Slim Line key was designed for users that want a small, light credential that will not sacrifice on durability. Created to stand up to all but the most extreme environments but designed to be one of the most portable and desirable keys on the market!

Bluetooth Key Features:

- Utilizes Bluetooth Smart Technology
- Program keys from any location (within cellular coverage area)
- No need to 'dock' key to program
- Works with the latest XT Web Manager software



NEW: Slim Rugged



- Storage of 10,000 audit events
- Extremely durable
- Stainless steel and aluminum construction
- Support for remote and mobile programming
- Rechargeable

Slim Line S



- Higher intelligence to support more advanced features
- Enhanced user experience with faster processing and programming speeds

Slim Line B Bluetooth Key



- All the Slim Line S features and...
- Program anywhere
- Bluetooth communication built-in
- Smartphone app support
- Immediate upload/download of data (if desired)

See next page for additional details and technical information.

Keys and Accessories

The Medeco® XT Key is a convenient, robust electronic key with a heavy duty stainless steel housing that fits right on your key ring. A portable key charger and rechargeable battery assures keys are always fully charged for up to 1,800 openings, eliminating the need for battery maintenance. Convenient key programming and flexible system management eliminates the need for removal of cylinder in order to make changes. This key holds operating and expiration schedule and flexible memory allocation lets the user decide how the memory is used. Audit: up to 14,000 events. With Medeco XT, flexible authorization, auditing of use and quick retrofit to existing hardware are all available in one convenient package.



XT Keys

| Description | Part Number | Price |
|------------------------------------|-------------|----------|
| XT G4S - Slim Key | EA-100293 | \$202.00 |
| XT Slim Line Key Bluetooth (G3B) | EA-100177 | \$254.00 |
| XT G4R - Slim Rugged Key | EA-100292 | \$254.00 |
| Slim Line Demo/Install Key | EA-100173 | \$324.00 |
| Slim Line Demo/Install Control Key | EA-100174 | \$324.00 |

Medeco® XT Key Bundles

| Description | Part Number | Price |
|---|-------------|----------|
| XT Slim Key (G4S) Charger Bundle. Includes XT Slim Key G4S, Charger and USB Cable | 94-0331 | \$263.00 |
| XT Slim Rugged Key (G4R) & Charger Bundle. Includes XT Slim Rugged Key, Charger and USB Cable | 94-0330 | \$293.00 |
| XT Slim Line Key (G3B) & Charger Bundle. Includes XT Slim Line Key, Charger and USB Cable | 94-0306 | \$311.00 |

| | XT G4S Slim Key | Slim Line B (Gen 3) | XT G4R Slim Rugged Key |
|--|--|---|---|
| Description | Faster processor, faster communication, support for future functionality | Bluetooth version. Faster processor, faster communication, support for future functionality | Same functionality as G4S key with a rugged housing for increased durability. |
| Part Number | EA-100293 | EA-100177 | EA-100292 |
| Size | 2.65" x 1.25" x .55" | 2.65" x 1.25" x .55" | 2.65" x 1.25" x .59" |
| Weight | 1.25 oz. | 1.25 oz. | 1.25 oz. |
| Openings per charge | 1500-1800 | 1500-1800 | 1500-1800 |
| Durability | High | High | Very High |
| Audit | 14,000 events | 14,000 events | 14,000 events |
| Battery Level Indicator Expected battery life – 5-10 years* | Percentage | Percentage | Percentage |
| Warranty | 2 years | 2 years | 2 years |

* Depending on amount of usage.
Extended warranty available for purchase. See Page 53 for more details.



IPD – Identification and Programming Device

Medeco XT Programmers

XT IPD - Identify, program and update Medeco XT Keys remotely via internet connection to Web Manager software

| XT IPD | Part Number | Price |
|---|---------------|------------|
| XT IPD Base unit with power supply | EA-100242-000 | \$2,357.00 |
| XT IPD Base unit, desktop mount and power supply bundle | EA-100242-010 | \$2,512.00 |
| XT IPD Base unit, wall mount and power supply bundle | EA-100242-100 | \$2,512.00 |
| XT IPD Standoff Retrofit Kit - spacer kit for replacing existing Remote Programmer when mounted in a custom enclosure | EA-300241 | \$109.00 |
| XT IPD Replacement Touchscreen assembly | EA-100245 | \$1,099.00 |
| 7/8" Cam Lock – Can be added to IPD for users to test keys. (Optional) | EN-150002-XXX | \$447.00 |



Desktop Programmer

| Desktop | Part Number | Price |
|---|-------------|----------|
| XT Desktop USB Programming Station (order cable separately) | EA-100109 | \$425.00 |



Multi-Key Programmer/Charger

| Multi-key | Part Number | Price |
|---------------------------------|-------------|------------|
| XT Multi-key Programmer/Charger | EA-100232 | \$5,946.00 |

Medeco® XT Kits & Accessories

| Description | Part Number | Price |
|--|-------------|------------|
| XT Multi-Key Charger - Charge up to 10 Medeco XT Keys simultaneously (does not program keys) | EA-100138 | \$972.00 |
| XT Portable Key Charging Adapter only (order cable separately) | EA-100088 | \$88.70 |
| XT Key Wall Charger Kit | 94-0291 | \$152.00 |
| XT Key Vehicle Charger Kit | 94-0292 | \$150.00 |
| XT Key PC Kit (USB Cable and Charging Adapter) | 94-0290 | \$112.00 |
| Smart SFIC Solutions Demo Kit (Includes Arrow, Medeco X4, and Medeco XT SFIC cylinders, keys, charger and cable) | 940261 | \$1,850.00 |

Medeco® XT Maintenance and Protective Products

| Description | Part Number | Price |
|--|--------------|----------|
| Fluid Film, 2.25 oz | PX-KYLUBE-02 | \$25.50 |
| Fluid Film, 11.75 oz | PX-KYLUBE-11 | \$40.40 |
| Small Bristle Brush (non-metallic bristles) for cleaning cylinder & key contacts | CP-286180 | \$38.30 |
| Deoxit Contact Cleaning Pen (gold contact cleaner) | CP-301290 | \$91.30 |
| Needle Nose Pliers | CP-286190 | \$70.50 |
| Deburring Tool | CP-286550 | \$820.00 |
| Contact Cleaner Spray | CP-301350 | \$230.00 |
| Metal cylinder protector cover | CP-287260 | \$117.00 |
| Plastic cylinder protector cover | CP-170930 | \$85.50 |

Professional Services

Planning, design and support are crucial to the successful deployment of an Intelligent Key System. Medeco offers professional services to ensure every installation is planned and executed seamlessly, and the system works effectively to meet current and future needs to protect the investment. See page 19 for details and pricing.

Medeco XT Products Warranties

Medeco warrants Medeco XT products to be free from defects in material and/or workmanship for a period of two (2) years from the date of original purchase. An extended warranty providing an additional three (3) years of coverage is also available for purchase at the time of the original order.

| Description | Part Number |
|---|--------------|
| Medeco XT product extended warranty, for a total of 3 years coverage (2-year warranty plus 1-year extended warranty) | SW-501001-3Y |
| Medeco XT product extended warranty, for a total of 4 years coverage (2-year warranty plus 2-year extended warranty) | SW-501001-4Y |
| Classic CLIQ product extended warranty, for a total of 5 years coverage (2-year warranty plus 3-year extended warranty) | SW-501001-5Y |

XT Finishes

XT SFIC cylinders are only available in the finishes shown to the right. Finishes for all other XT cylinders can be seen on the inside back cover.

NOTE: For XT SFICs only, due to the complexity of the process, there is a \$42 fee for custom finishes (other than 26, which is standard).



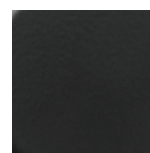
06
(US04)
Satin Brass



12
(US10)
Satin Bronze



13
(US10B)
Dark Bronze/
Oil Rubbed



BB
Matte Black



26
(US26D)
Satin Chrome*

Rim and Mortise Cylinders

For availability of cylinder formats not shown, contact Technical Support.

XT Rim and Mortise electronic cylinders are a simple and direct replacement for mechanical cylinders. Ideal for loss & liability management with flexible authorization and auditing capabilities. Respond quickly to security threats, lost or stolen keys, or personnel changes without the added cost of changing your locks and keys. Medeco XT is a complete electronic locking system providing controlled access, accountability, physical security, and system management with no wiring requirements. Cylinders are available in many popular lengths and finishes to fit nearly any application in your office, business and retail applications.



Mortise Cylinder



Rim Cylinder

XT Rim and Mortise Cylinders

| Description | Part Number | Price |
|------------------------------------|-------------|----------|
| Rim Cylinder, horizontal tailpiece | 100400H G* | \$432.15 |
| Rim Cylinder, vertical tailpiece | 100400V G* | \$432.15 |
| 1 1/4" Mortise Cylinder | 100500 G* | \$435.06 |
| 1 3/8" Mortise Cylinder | 105100 G* | \$431.52 |

*Must specify cam (mortise) or tailpiece (rim) when ordering. See pages 83-84 for cam and tailpiece part numbers and descriptions. If not specified, Z01 cam will be supplied for mortise, Y02 tailpiece will be supplied with rim cylinders.

Interchangeable Core Cylinders

XT Small Format Interchangeable Core (SFIC) is ideal for access management as a direct replacement for mechanical SFIC without any hardware modifications. An easy-to-upgrade solution, ready to install and use without wiring or power supply, XT SFIC is easily installed or removed to existing hardware with the simple use of a programmed control key. Users can audit keys, program a schedule and track who opens a lock and when – all while eliminating the cost of rekeying mechanical locks. Well suited for facilities with high turnover of employees, such as fast food restaurants, convenience stores, and similar businesses, but is also suitable for apartments, office buildings, schools, and hospitals. Available in custom finishes.



SFIC

LFIC

XT Small & Large Format Interchangeable Core

| Description | Part Number | Price |
|--|-------------|----------|
| Small Format Interchangeable Core (SFIC) Cylinder | EA-100108 | \$465.00 |
| Schlage Large Format Interchangeable Core (LFIC) Cylinder* | 322201 G | \$434.25 |
| Yale Large Format Interchangeable Core (LFIC) Cylinder* 6 pin | 310100 G | \$438.09 |
| Yale Large Format Interchangeable Core (LFIC) Cylinder* 7 pin | 310100A G | \$438.09 |
| Sargent Large Format Interchangeable Core (LFIC) Cylinder 6 pin | 322401 G | \$440.79 |
| Corbin Large Format Interchangeable Core (LFIC) Cylinder 6 and 7 pin (includes spacer) | 322301 G | \$440.79 |

* Fits LFIC format housing, but is a one-time installation and not removable.

See page 114 for LFIC housings.
See page 122 for SFIC housings.

Key-In-Knob/Lever Cylinders

XT Key-in-Knob/Lever electronic cylinder is a direct replacement for mechanical KIK/KIL cylinders and is ideal for access control management. The cylinder requires no wiring to the door and is powered by the XT rechargeable key. Audit trail, user access schedules and the ability to quickly add or remove a key electronically from a system allow for fast response to security threats, lost or stolen keys, or personnel changes without the added cost of changing locks and keys. Designed for quick retrofit of nearly all popular brands of knob and lever-type cylindrical locksets, making them an ideal application for office doors, storage and file rooms, or residential doors: virtually any door where cylindrical hardware is used.



XT Arrow Cylinders

| Description | Part Number | Price |
|--|-------------|----------|
| Medeco XT cylinder for all Arrow RK & MK series knobs and GL series levers. For RK & MK series, replace original spacer with Medeco CP-160321 (included) | 20200A1 G | \$437.86 |

XT Cylinders for Cal-Royal

| Description | Part Number | Price |
|---|-------------|----------|
| Cylinder for Cal-Royal Apollo series SL00 knob lock and LX01 lever lock | 2020049 G | \$435.49 |
| Cylinder for Cal-Royal CLS03 classroom function Gr. 2 lever lock | 20200V1 G | \$435.49 |

XT Cylinders for Corbin Russwin

| Description | Part Number | Price |
|---|-------------|----------|
| Cylinder for Corbin 800 lever lockset CL3300, CL3400, CL3500 & CL3600 | 2020073 G | \$435.49 |
| Cylinder for Corbin Russwin CL3900 series leversets | 20200V9 G | \$435.49 |

XT Cylinders for Falcon

| Description | Part Number | Price |
|--|-------------|----------|
| Cylinder for Falcon B, LY, X, S & T series. Includes: CT-V03, CT-Y49, CT-Y54, CT-Y58, CTY68, CT-Y71, CT-Y72, CP-160311 | 20200F1 G | \$437.86 |
| Cylinder for Falcon F521, F561, F581, and N series knobs | 2020051 G | \$435.49 |
| Cylinder for Falcon T-381 (inside) | 2020073 G | \$435.49 |
| Cylinder for Falcon T & RU series, T381 (exterior) | 20200V3 G | \$435.49 |

XT Cylinders for KABA-Mas-Hamilton

| Description | Part Number | Price |
|---------------------------------------|-------------|----------|
| Cylinder for Kaba E-plex 5000 | 2020000 G | \$435.49 |
| Cylinder for Mas-Hamilton Power Lever | 20200V1 G | \$435.49 |

XT Cylinders for LSDA

| Description | Part Number | Price |
|---|-------------|----------|
| LSDA cylinder package fits 100, L100, LH1000, LX1000, Includes: CT-Y49, CT-Y70, CT-Y73, CTY78 | 20200L1 G | \$437.86 |

XT Cylinder for Marks

| Description | Part Number | Price |
|---|-------------|----------|
| Cylinder for Marks 110, 170, 180, 190, 195, 295 series Vestibule, Communicating, Classroom, & Classroom Security functions (DA, DC, SB, S). | 20200V0 G | \$435.49 |
| Cylinder for Marks Lever 110, 170, 180, 190, 195, 295 series in Entrance, Institution, Storeroom, and Corridor functions (AB, DW, F, T) | 20200V1 G | \$435.49 |

XT Cylinders for Olympus

| Description | Part Number | Price |
|--|-------------|----------|
| Cylinder for Olympus 700 LCM & 800 LCM Key Retaining | 20200S1 G | \$437.86 |

XT Cylinders for PDQ

| Description | Part Number | Price |
|---|-------------|----------|
| Cylinder for PDQ Lever SP & ST Series, GT, XGT, & GP Series | 20200V2 G | \$435.49 |

XT Cylinders for Sargent

| Description | Part Number | Price |
|--|-------------|----------|
| Cylinder for Sargent 10 line locksets, order with '30' option prefix (note: cylinder will extend from lever more than standard cylinder) | 20200S1 G | \$437.86 |

XT Cylinders for Schlage

| Description | Part Number | Price |
|---|-------------|----------|
| Cylinder Package for Schlage A, AL, C, D, ND & Olympiad lever designs, includes: CT-Y49 (A, AL, & D Olympiad Lever & C & D Plymouth), CT-Y52 (C & D heavy duty knobs Ball, Globe & Sphere designs only), CT-Y53 (A series Orbit), CT-Y73 (ND series Gr. 1 lever & AL thick doors), and CTY74 (45-101 padlock) | 20200S1 G | \$437.86 |
| Cylinder for Schlage S Series Lever | 2020097 G | \$437.86 |

XT Cylinders for TACO

| Description | Part Number | Price |
|--|-------------|----------|
| Cylinder for Olympus 700 LCM & 800 LCM Key Retaining | 20200S1 G | \$437.86 |

XT Cylinders for Yale

| Description | Part Number | Price |
|---|-------------|----------|
| Cylinder for Yale 6 pin 5300LN, 5400LN and 4300 Knobs | 200503 G | \$435.49 |

Padlocks

XT padlocks are ideal for access management at off site or hard to reach locations. The robust cylinder with stainless steel components is designed for interior and exterior use. Keys are electronically programmed to open only specific locks during a designated schedule and audit information is recorded in both the lock and key. With no wiring or power supply required, XT padlocks are an ideal application for perimeter fences and gates, or access to equipment storage areas where traditional EAC is practically impossible to install.



The All Weather Padlock (AWP) is recommended for all outdoor applications to provide maximum protection and reliability.

XT Padlocks

| Description | Part No. | Price |
|--|-----------|----------|
| All Weather Padlock, 5/16" SS shackle, 1-7/8" Clearance | 5005511 G | \$661.50 |
| All Weather Padlock, 5/16" SS shackle, 2-3/8" Clearance | 5005521 G | \$666.83 |
| All Weather Padlock, 5/16" Boron shackle, 1-7/8" Clearance | 5005531 G | \$661.51 |
| All Weather Padlock, 5/16" Boron shackle, 2-3/8" Clearance | 5005541 G | \$666.83 |
| All Weather Padlock, 7/16" SS shackle, 2" Clearance | 5005711 G | \$661.51 |
| All Weather Padlock, 7/16" SS shackle, 2-1/2" Clearance | 5005721 G | \$666.83 |
| All Weather Padlock, 7/16" Boron shackle, 2" Clearance | 5005731 G | \$661.51 |
| All Weather Padlock, 7/16" Boron shackle, 2-1/2" Clearance | 5005741 G | \$666.83 |
| Hockey Puck Padlock | 5292000 | \$605.69 |
| SS Indoor/Outdoor Padlock, Non-Key Retaining, 1-1/8" Shackle Clearance, 5/16" Shackle Diameter, w/Cylinder | 5451500 G | \$588.26 |
| SS Indoor/Outdoor Padlock, Key Retaining, 1-1/8" Shackle Clearance, 5/16" Shackle Diameter, w/Cylinder | 54515R0 G | \$588.26 |
| SS Indoor/Outdoor Padlock, Non-Key Retaining, 2-3/8" Shackle Clearance, 5/16" Shackle Diameter, w/Cylinder | 5451F00 G | \$592.52 |
| SS Indoor/Outdoor Padlock, Key Retaining, 2-3/8" Shackle Clearance, 5/16" Shackle Diameter, w/Cylinder | 5451FR0 G | \$592.52 |
| SS Shrouded Padlock, Non-Key Retaining, 3/4" Shackle Clearance, 5/16" Shackle Diameter, w/Cylinder | 5452500 G | \$619.14 |
| SS Shrouded Padlock, Key Retaining, 3/4" Shackle Clearance, 5/16" Shackle Diameter, w/Cylinder | 54525R0 G | \$619.14 |
| SS Indoor/Outdoor Padlock, Non-Key Retaining, 1-3/8" Shackle Clearance, 7/16" Shackle Diameter, w/Cylinder | 5471500 G | \$625.53 |
| SS Indoor/Outdoor Padlock, Key Retaining, 1-3/8" Shackle Clearance, 7/16" Shackle Diameter, w/Cylinder | 54715R0 G | \$625.53 |
| SS Indoor/Outdoor Padlock, Non-Key Retaining, 1-7/8" Shackle Clearance, 7/16" Shackle Diameter, w/Cylinder | 5471F00 G | \$631.92 |
| SS Indoor/Outdoor Padlock, Key Retaining, 1-7/8" Shackle Clearance, 7/16" Shackle Diameter, w/Cylinder | 5471FR0 G | \$631.92 |
| SS Shrouded Padlock, Non-Key Retaining, 3/4" Shackle Clearance, 7/16" Shackle Diameter, w/Cylinder | 5472500 G | \$678.78 |
| SS Shrouded Padlock, Key Retaining, 3/4" Shackle Clearance, 7/16" Shackle Diameter, w/Cylinder | 54725R0 G | \$678.78 |

Note: In this section, "SS" stands for "System Series."

Medeco XT Padlock Cylinders

| Description | Part No. | Price |
|--|-----------|----------|
| XT All Weather Padlock Cylinder | 510800 G | \$376.01 |
| XT System Series Padlock, Cylinder Only | 510600 G | \$477.86 |
| XT Pop-Out Cylinder for G8R Padlock – Round Deadbolt | EV-8501D | \$447.00 |
| XT Pop-Out Cylinder for G8R Padlock – Round Springbolt | EV-8501S | \$447.00 |
| XT Cylinder for Hockey Puck Padlock sold between 9/2004 and 9/2023 | 2001600 G | \$383.31 |
| XT Cylinder for Hockey Puck Style Padlock sold after 9/2023 | 2020000 G | \$435.49 |

Specialty Cylinder Formats

The Medeco® XT Electronic T-handle Cylinders are an ideal for loss and liability management and are available for many specialty applications and formats. Pop-Out Cylinders are available in spring-latch and deadbolt configurations. Stainless steel shell and bolt for lasting strength, durability and strong protection against physical attack. Fits all NAMA Standard T-Handles. Ideal for vending & bottling, bill changers, ATM equipment or other custom OEM applications.



Specialty Cylinder Formats

| Description | Part Number | Price |
|--------------------------------------|-------------|----------|
| Ruko (outside) | 230501S G | \$372.00 |
| Ruko (inside) | 230601S G | \$372.00 |
| Snowman (padlock) | 230801S G | \$372.00 |
| Mul-T-Lock padlock (G47 Series) | 490431 G | \$380.00 |
| XT Insert For Enclosure Lock | EA-100219 | \$415.00 |
| Safe Deposit Box Single – Left Hand | 490428 G | \$431.65 |
| Safe Deposit Box Single – Right Hand | 490429 G | \$431.65 |

Safe Deposit Box also available in Double.

Pop-Out Cylinders

| Description | Part Number | Price |
|---|-------------|----------|
| Pop-Out Cylinder Deadbolt assembly, round bolt | EV-8501D | \$447.00 |
| Pop-Out Cylinder, springbolt assembly, round bolt | EV-8501S | \$447.00 |

Retail/Showcase Locks

Medeco® XT has an electronic cylinder for many types of retail applications. Ideal for loss & liability management with flexible authorization and auditing capabilities. Respond quickly to security threats, lost or stolen keys, or personnel changes without the added cost of changing your locks and keys. The cylinder is powered by the rechargeable key so no wiring or power supply is needed.



XT Retail/Showcase Locks

| Description | Part Number | Price |
|-------------------------------|--------------|----------|
| Cabinet Lock, Latchbolt | 490359 G | \$538.89 |
| Cabinet Lock, Deadbolt | 490366 G | \$538.89 |
| XT Deadbolt Cabinet Lock, KR | 6210555 G XX | \$466.73 |
| XT Deadbolt Cabinet Lock, NKR | 6212555 G XX | \$466.73 |
| XT Spring Latch Cabinet Lock | 6211555 G XX | \$489.09 |
| XT T Bolt Cam Lock, KR | 6280550 G | \$436.90 |
| XT T Bolt Cam Lock, NKR | 6282550 G | \$428.65 |

Cam and Utility Locks

Medeco® XT cam locks are built for strong physical security and offer all the benefits of the XT Electronic Locking System. XT cam locks are available in lengths of 7/8" and 1-1/8" with a wide variety of cams and security collars. The cylinder is designed for interior and exterior use and requires no wiring or modification to the door. Audit information recorded in both the lock and key shows a time-and-date stamped record of every event, including authorized accesses and unauthorized attempts. A quick retrofit to existing hardware, XT cam locks are ideal for utility cabinets, retail fixtures, narcotics storage, safes and more.



XT Cam Locks

| Description | Part Number | Price |
|---|-------------------------|----------|
| 7/8" Cam lock assembly, Key Retaining | EN-150002-XXX (Op Code) | \$447.00 |
| 1-1/8" Cam lock assembly, Key Retaining | EN-150003-XXX (Op Code) | \$447.00 |

Cam Lock Operation Codes

| Description | Op Code |
|--|---------|
| 2 flat, 1 keypull, clockwise 90 degree | 219 |
| 2 flat, 1 keypull, counter-clockwise 90 degree | 239 |
| 2 flat, 1 keypull, clockwise 180 degrees | 259 |

XT T-bolt Cylinders

| Description | Part Number | Price |
|---|---------------|----------|
| XT T-bolt – Key Retaining, unlocked at 180 degree | 6280550 G -XX | \$436.90 |
| XT T-bolt – Non-Key Retaining, unlocked at 360 degree | 6282550 G -XX | \$428.65 |

XT Cam Lock

| Description | Part Number | Price |
|---|-----------------|----------|
| 1 1/8" Cam lock assembly, Non-Key Retaining | 600650269 G -XX | \$441.21 |



XT Switch Locks

| Description | Part Number | Price |
|-------------------------------|-------------------|----------|
| 2 Position, Key Retaining | 6522560 G -121-XX | \$418.76 |
| 2 Position, Non-Key Retaining | 6522560 G -122-XX | \$418.76 |

Medeco® XT Dual-Tech Cylinder

For Rapid-Entry Applications

The patented Medeco XT Dual-Tech retrofit cylinder is designed for both accountability and rapid-entry applications. It combines two cylinder technologies – the Medeco XT electronic cylinder and the Medeco X4 mechanical cylinder – in one mortise cylinder housing. Both cylinders operate independently of one another so access is provided using either the XT Key or the X4 key.



Allows fire department emergency facility access using a familiar mechanical key while the XT Intelligent key is used for daily accountability. In multi-family applications, tenants use the mechanical key and maintenance uses XT key for accountability. Ideal for any application requiring a mechanical key override.

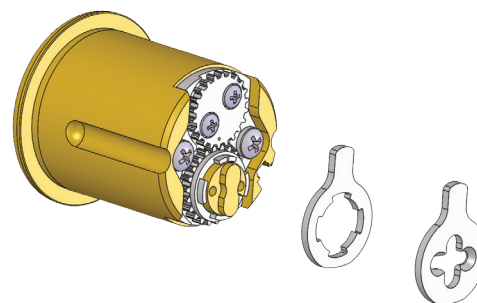
Medeco Dual Tech Cylinder

| Description | Part Number | Price |
|--|-------------|------------|
| XT Dual Tech 1-1/4" Mortise Cylinder, with Medeco X4 | 490423 G | \$692.01 |
| XT Dual Tech 1-1/4" Mortise Cylinder for Arrow/Best | 490426 G | \$692.01 |
| XT Dual Tech 1-3/4" Mortise Cylinder | 490437 G | \$700.54 |
| XT Dual Tech Rim Cylinder | 490432 G | \$1,031.75 |

XT Dual-Tech Cams

Dual Tech mortise cylinders come complete with a set of 2 specially designed cams, a direct-drive cam operated by the Medeco XT key and an Override cam operated by the Mechanical key. Cam type must be indicated when ordering (Z00, Z01, etc.)

Important Note: The standard cams listed on pages 83-84 cannot be used in Dual-tech cylinders. Replacement cams must be ordered using the chart below. One each direct drive and override cam required per cylinder.



Dual Tech Cams

| Description | Part Number | Price |
|--------------------------------|---------------|---------|
| Direct Drive Cam – Russwin | CP-100771-Z00 | \$12.90 |
| Override Cam – Russwin Type | CP-100781-Z00 | \$12.90 |
| Direct Drive Cam – Yale Type | CP-100771-Z01 | \$12.90 |
| Override Cam – Yale Type | CP-100781-Z01 | \$12.90 |
| Direct Drive Cam – Adams Rite | CP-100771-Z02 | \$12.90 |
| Override Cam – Adams Rite Type | CP-100781-Z02 | \$12.90 |
| Direct Drive Cam – Sargent | CP-100771-Z20 | \$12.90 |
| Override Cam – Sargent Type | CP-100781-Z20 | \$12.90 |
| Direct Drive Cam – Schlage | CP-100771-Z34 | \$12.90 |
| Override Cam – Schlage Type | CP-100781-Z34 | \$12.90 |

How to Order a DualTech Cylinder

| Technology | Base Part Number | Finish | Keyway | Pinning | Cam |
|------------|------------------|--------|--------|---------|-----|
| X4 | 490423G | XX | XX | XX | XX |
| X4 | 490437G | XX | XX | XX | XX |
| X4 | 490432G | XX | XX | XX | XX |
| Arrow | 490426G | XX | XX | XX | XX |

Note: Masterkey upcharge applies.

Pinning Options:
 S = Sub Assembled
 P = Pinned
 M = Master Keyed

Medeco XT Traffic Cabinet Lock

The Medeco XT Traffic Cabinet Lock helps to secure our critical infrastructure. The Intelligent Traffic System (ITS) cabinets located at every street corner contain hardware that control our cities streets. Cyber attack is a constant threat. A simple retrofit lock solution like the Medeco XT Traffic Cabinet Lock is the quickest, most cost-effective way to add the accountability necessary to help eliminate tampering with the advanced equipment contained within these cabinets.

Available through specialized resellers only.



Medeco XT Traffic Cabinet Lock:

| Description | Part Number | Price |
|--|-------------|----------|
| XT Traffic Cabinet Lock – Deadbolt* | EA-100221 | \$532.00 |
| XT Traffic Cabinet Lock – Slam bolt* | EA-100220 | \$557.00 |
| High Security Mechanical Traffic Cabinet Lock – Deadbolt* | 490435 | \$264.18 |
| High Security Mechanical Traffic Cabinet Lock – Slam bolt* | 490436 | \$266.40 |

* Can be installed in left-hand or right-hand doors.

International Cylinders

The Medeco® XT Modular Half Profile, Euro Double & Thumb Turn electronic cylinders are a direct replacement for like mechanical cylinders and are ideal for loss and liability management. In addition to international uses, many of these cylinders fit imported hardware used in North America. The cylinder requires no wiring or modification to the door or frame and is designed for interior and exterior use.

Attack-resistant design and tamper-proof features provide strong protection against forced entry. Flexible key programming and auditing capabilities allow for quick response to security threats, lost or stolen keys, or personnel changes. Cylinders are widely used at government installations, airports, hotels, universities and schools. Medeco XT is a complete electronic locking system providing controlled access, accountability, physical security, and system management.



XT International Cylinders

| Description | Part Number | Price |
|--|----------------|----------|
| Lockwood Oval | 230301S G | \$344.00 |
| Cylinder Module EURO 1/2 Module – 30mm | 232201S 300 G | \$340.73 |
| Cylinder Module EURO 1/2 Module – 35mm | 232201S 301 G | \$344.98 |
| Cylinder Module EURO 1/2 Module – 40mm | 232201S 302 G | \$349.23 |
| Single/Double cylinder Module EURO 1/2 Module – 30mm | 232202S 300 G | \$344.98 |
| Single/Double cylinder Module EURO 1/2 Module – 35mm | 232202S 301 G | \$344.98 |
| Single/Double cylinder Module EURO 1/2 Module – 40mm | 232202S 302 G | \$349.23 |
| Euro T/T Profile – 30mm/30mm Assembled | 23230XS X00 G | \$441.88 |
| Euro T/T Profile – 35mm/35mm Assembled | 23230XS X11 G | \$450.38 |
| Modular Profile Cylinder – 30mm Half Profile - Assembled | 232301S 800 G | \$396.04 |
| Modular Profile Cylinder – 35mm Half Profile - Assembled | 232301S 801 G | \$400.29 |
| Euro 1/2 Profile 30mm Assembled (True 30mm) | 232301ST 800 G | \$396.04 |
| Euro Double Profile – 30mm/30mm Assembled | 23230E5 X00 G | \$524.00 |
| Euro Double Profile – 35mm/35mm Assembled | 23230E5 X11 G | \$532.50 |

XT Safe Lock

The Medeco XT Safe Lock is a direct replacement for physical security devices that utilize standard mechanical dial combination locks or digital keypad locks. XT Safe Lock includes a reader with key port mounted on the outside of the safe door, and is available three XT lock configurations deadbolt, spring bolt and swing bolt.

To access the safe, an XT Key is programmed via the Medeco XT Web Management Software system to only open a specific XT Safe Lock and the key is issued to a specific user. The user inserts the XT Key into the key port on the exterior reader. Power is supplied by the key to the lock PCB and authentication is initiated with a secure process over the interface communications cable.

An LED provides visual feedback to the user on the current state of the lock. If the lock PCB and XT Key are in agreement that access is granted, the lock PCB will provide power to the internal motor/bolt blocker and the user is allowed to rotate the key to unlock the lock. If the XT Key is not authorized, the user will be prevented from unlocking the safe lock.



XT Safe Lock:

| Description | Part Number | Price |
|--|-------------|------------|
| XT Safe Lock – Deadbolt Lock Bundle | EA-100206 | \$1,059.00 |
| XT Safe Lock – Spring Bolt Lock Bundle | EA-100207 | \$1,059.00 |
| XT Safe Lock – Swingbolt Lock Bundle | EA-100208 | \$1,059.00 |

XT Guard Tour Reader

The Medeco XT Guard Tour Reader is a simple, yet powerful, user tracking solution that can be added to any XT Intelligent Key system. The reader mounts easily to any interior or exterior flat surface and programs just like a standard XT cylinder. As the designated 'Tour' individual makes their rounds, they simply touch the reader with their XT key which creates an audit event that proves they completed this task. A record of activity is available for audit or reporting at any time.



XT Guard Tour Reader

| Description | Part Number | Price |
|----------------------|-------------|----------|
| XT Guard Tour Reader | EA-100240 | \$509.00 |

Medeco® XT Access Interface Module (AIM)

The Medeco® XT Access Interface Module – known as “AIM” – allows the user to insert their Medeco XT key to trigger actions in other systems. Using both authorized and unauthorized event conditions, users can unlock doors with electric strikes or maglocks, initiate video cameras and bring attention to unauthorized events by triggering access control or alarm panels.



AIM Features:

- Greatly enhances the capability of the Medeco XT Intelligent Key System
- Key audit tracks events just like an XT cylinder
- Two-person authentication option
- Uses NO – Normally Open and NC – Normally Closed relays to trigger different outputs for Access Granted or Access Denied events
- Can be powered by an XT key or 12-24V Power Supply depending on AIM connection

Warranty:

Medeco Security Locks warrants Medeco® XT products to be free of defects in material and/or workmanship for a period of two (2) years from date of original purchase.

Applications:

Medeco XT AIM module can be used with other Access Control or Alarm Panels to trigger authorized and unauthorized event conditions.

Medeco XT Access Interface Module (AIM):

| Description | Part Number | Price |
|-----------------------------------|-------------|----------|
| Medeco XT Access Interface Module | EA-100192 | \$970.00 |



Medeco Nexgen products are only available through specialized resellers.

Medeco Nexgen

Medeco® Nexgen is a comprehensive loss prevention system incorporating access control, audit capability, physical security, and route management for applications such as parking and vending. In addition to physical protection, the Medeco® Nexgen system gives you the ability to program who gets into your locks and when they get in. The system will also track all activity, including unauthorized attempts to open the lock. These functions are integrated into software that provides key management capability and can be customized to meet your specific requirements. The software provides detailed, flexible reports for complete security management.

All Medeco® Nexgen products have the ability to be linked together throughout your system to provide full integration. One key can be programmed to open any combination of locks.



Nexgen Key



Nexgen Cylinder

Nexgen Locks/Cylinders

| Description | Part Number |
|---|---------------|
| Nexgen 7/8" Cam Lock, Cale Style | EN-100000 |
| Nexgen 7/8" Cam Lock | EN-100002-219 |
| Nexgen 1-1/8" Cam Lock | EN-100003-219 |
| Retrofit Parking Cylinder, LA/KABA Style | EN-400001 |
| Retrofit Parking Cylinder, Medeco OEM | EN-400002 |
| Retrofit Parking Cylinder, Medeco VLS Replacement | EN-400004 |
| Retrofit Parking Cylinder, Duncan 76 | EN-400005 |
| Retrofit Parking Cylinder – POM | EN-400006 |
| Retrofit Parking Cylinder – Parkeon | EN-400007 |
| Nexgen Deadbolt Popout (G8R) | EV-8000D |

Nexgen Door/Lock Assemblies

| Description | Part Number |
|---|-------------|
| Round Door Assembly (short brackets/low capacity) | EP-1210 |
| Round Door Assembly (long brackets/high capacity) | EP-1211 |

Nexgen Keys

| Description | Part Number |
|---|-------------|
| Nexgen2 Parking Key-extended nose/Bluetooth | EV-5507 |

Nexgen Accessories

| Description | Part Number |
|---|-------------|
| NEW – NexGen2 USB Desktop Programmer w/USB cable | EA-100235 |
| New NexGen2 Multi-key programmer/charger-wall mountable-daisy chain | EA-100200 |
| Same as above no cables | EA-100234 |
| Pogo Pin Kit Collector | 94-0171 |
| T-Handle 7/64" Screw Removal | CP-284490 |
| T-Handle 3/32" for Screw Removal | CP-286080 |
| Cleaning Cloth | CP-286170 |
| Brush | CP-286180 |
| Needle Nose Pliers | CP-286190 |
| Deburring Tool | CP-286550 |
| Contact Cleaner Pen | CP-301290 |
| Contact Cleaner Spray | CP-301350 |
| Replaceable tip, extended nose for Nexgen | EA-300071 |
| Nexgen key tip replacement package | EA-250052 |
| Nexgen maintenance kit for extended nose | EN-600003 |

Nexgen Software

| Description | Part Number |
|---|-------------|
| NEW-XT Web Parking Software (Medeco Hosted)* CHARGED ANNUALLY | SW-500301-3 |
| NEW-XT Web Parking Software (User Hosted) | SW-600901 |