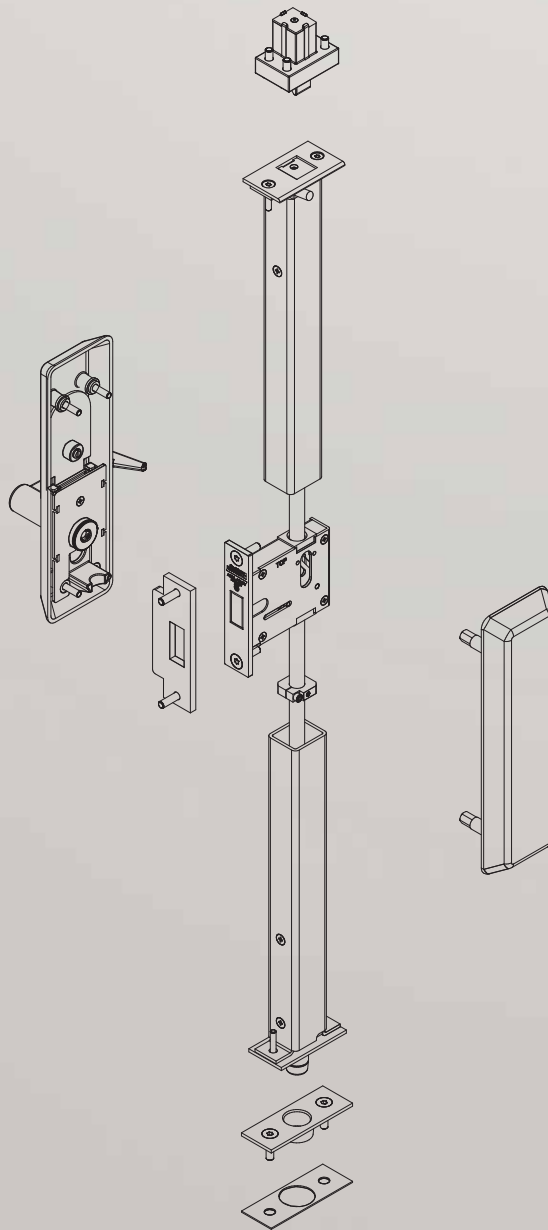


FE6700 SERIES

Multi-Point Locks Parts Manual



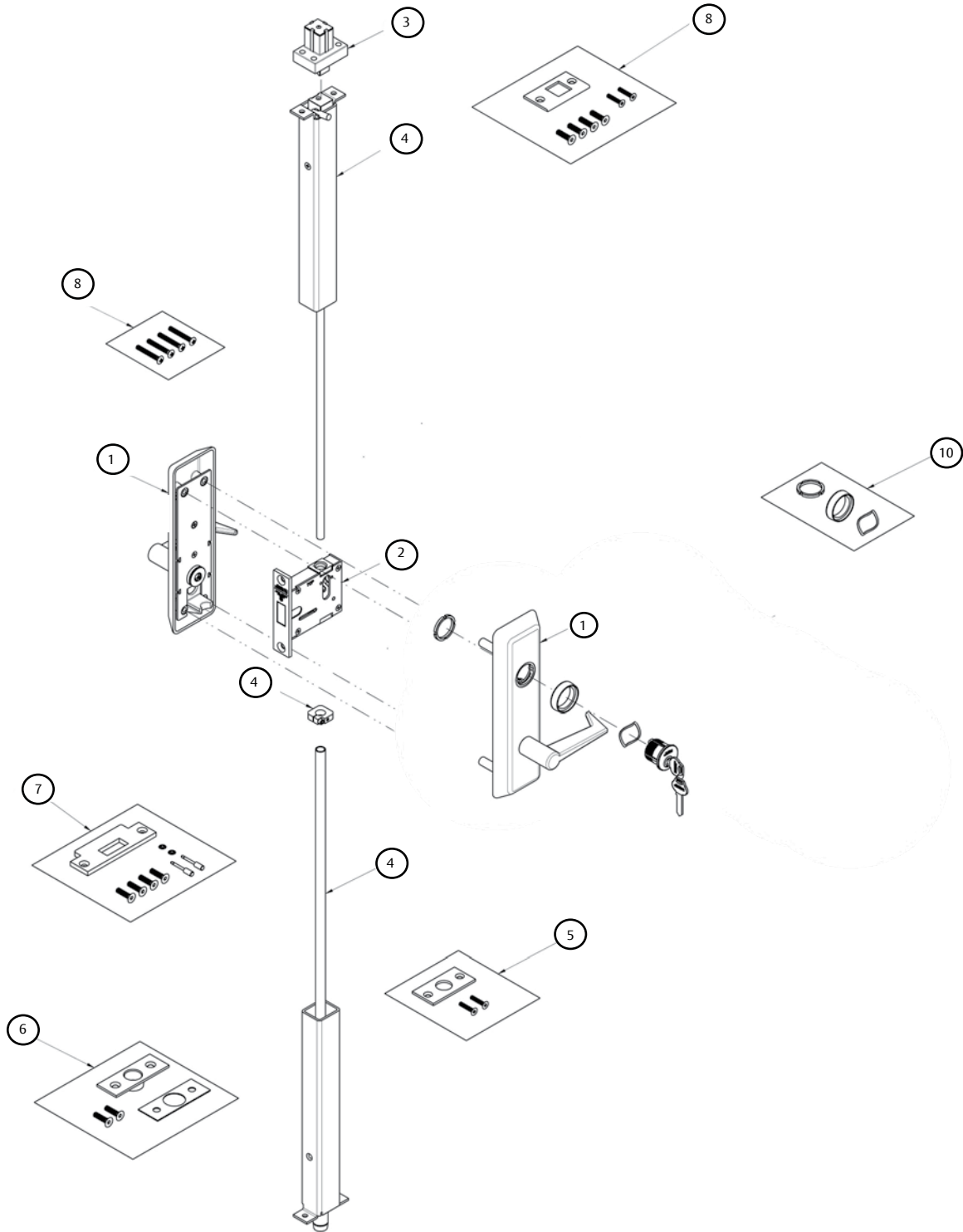
Item	Part Number	Description	Comments
1	FE6710 x __S x Finish x Hand x M31	Outside Trim Assembly - FE6710	Must be ordered as a pair. Must specify lever. Upgraded design, September 2017.
	FE6755 x __S x Finish x Hand x M31	Outside Trim Assembly - FE6755	
	FE6780 x __S x Finish x Hand x M31	Outside Trim Assembly - FE6780	
	FE67XX x __S x Finish x Hand x M31	Inside Trim Assembly (All Functions)	
2	723F457	Deadbolt	Fasteners Included
3	723F347	Top Latch Assembly	Fasteners Included
4	723F088	Replacement Rod Assembly - 3'0" - 4'6"	Upgraded design, June 2016
	723F098	Replacement Rod Assembly - 4'6" - 6'8"	
5	751F508 26D	Bottom Bolt Plate Mounting Pack	
6	751F512 26D	Bottom Strike Mounting Pack	
7	720F977 32D	Center Strike & Deadbolt Mounting Pack	
8	720F968 26D	Front & Top Latch Mounting Pack	Upgraded design, April 2019
9	719F99M FIN	Trim Mounting Pack	
10	721F36M FIN	Cylinder Collar Pack	Use with 1 1/8" Cylinder
	721F37M FIN		Use with 1 1/4" Cylinder
	721F38M FIN		Use with 1 1/2" Cylinder

*For Link/Drive Pin and Retaining Ring, order Item #7.

For additional information, contact your ASSA ABLOY Door Solutions sales consultant or visit www.corbinruswin.com.

The warranty on Corbin Russwin products becomes void if the product is modified in any way, regardless of whether the modifications causes or contributes to any alleged defect. If a Corbin Russwin product is modified it may no longer meet industry certification and quality control standards applicable to the original product and is no longer a genuine Corbin Russwin product.

Copyright © 2023, 2025, ASSA ABLOY Access and Egress Hardware Group, Inc. All rights reserved. Reproduction in whole or in part without the express written permission of ASSA ABLOY Access and Egress Hardware Group, Inc. is prohibited. Patent pending and/or patent www.assaabloyds.com/patents.



The warranty on Corbin Russwin products becomes void if the product is modified in any way, regardless of whether the modifications causes or contributes to any alleged defect. If a Corbin Russwin product is modified it may no longer meet industry certification and quality control standards applicable to the original product and is no longer a genuine Corbin Russwin product.

Copyright © 2023, 2025, ASSA ABLOY Access and Egress Hardware Group, Inc. All rights reserved. Reproduction in whole or in part without the express written permission of ASSA ABLOY Access and Egress Hardware Group, Inc. is prohibited. Patent pending and/or patent www.assaabloydss.com/patents.

The ASSA ABLOY Group is the global leader in access solutions. Every day, we help billions of people experience a more open world.

ASSA ABLOY Opening Solutions leads the development within door openings and products for access solutions in homes, businesses and institutions. Our offering includes doors, frames, door and window hardware, mechanical and smart locks, access control and service.



For additional information, contact your
ASSA ABLOY Door Security Solutions
sales consultant or visit www.corbinruswin.com.

In U.S.

Corbin Russwin
Architectural Hardware
225 Episcopal Road
Berlin, CT 06037
Phone: 800-543-3658
Fax: 800-447-6714
www.corbinruswin.com

In Canada

ASSA ABLOY Door
Security Solutions Canada
160 Four Valley Drive
Vaughan, Ontario
Canada L4K 4T9
Phone: 800-461-3007
Fax: 800-461-8989
www.assaabloydss.ca