

## 7000 Series Deadbolt

### Stands up to **sawing through the bolt**

Virtually impossible to saw through the hardened steel bolt with a hacksaw

### Protects against **kicking**

A specially designed strike plate has 2 screws to anchor the strike directly to the building

### Security Shield

Guards against ice pick attacks

### Shields against **hammer attacks**

Made of solid brass and secured with high tensile steel bolts for maximum resistance

### Protects against **drill attacks**

Built with strategically placed hardened steel inserts

### Guards against **wrenching off the lock**

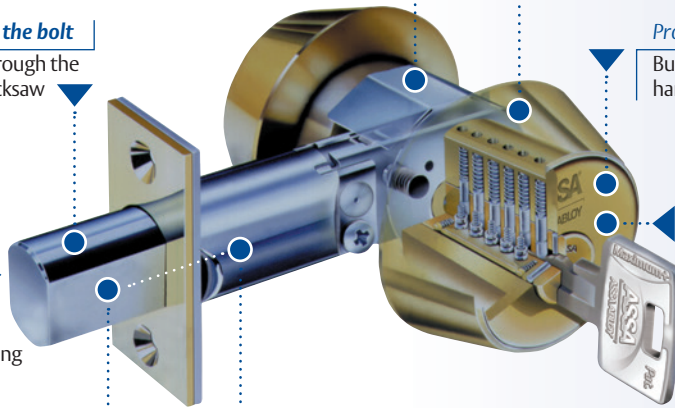
Free spinning guard collars prevent wrenching

### Built to **resist prying with a crowbar**

Hardened steel bolt is surrounded by heavy-gauge tubular steel

### No copying of keys

Keys are protected under patent, making it illegal for keys to be duplicated without proper authorization



The ASSA 7000 Series deadbolt is designed to withstand any form of physical attack including drilling, prying, driving, or pulling. Its free spinning guard collars protect it from pipe wrenching while its hardened inserts guard against drilling. The 7000 comes equipped with the ASSA Security Guard to protect it from outside through-the-door attacks known as "ice picking." All ASSA High Security products feature our unique dual locking mechanism rendering them virtually pick proof.

### Benefits:

- ASSA Hardhat™ to prevent physical attack
- Free spinning guard collars to prevent wrenching
- High security solid brass cylinders
- 1/4" Aircraft strength steel mounting bolts
- Hardened bolt with full 1" throw
- Non-handed

### Warranty:

- ASSA warrants its cylinders and deadbolts against defective workmanship or wear resulting from defects for one year

### Certification:

- All ASSA 7000 Deadbolts are U.L. 437 Listed
- All ASSA 7000 Deadbolts are Fire Listed R38765

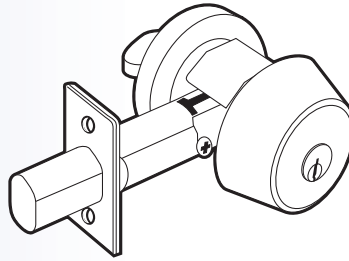
### Technical Information:

- Cylinder shell and plug made of high quality brass
- Stainless steel top pins
- Bottom pins and master pins are nickel silver

### Finishes:

BHMA Symbol	U.S. Symbol	Description
625	US 26	Bright Chrome
626	US 26D	Satin Chrome
605	US 3	Bright Brass
606	US 4	Satin Brass
609	US 5	Antique Brass
612	US 10	Satin Bronze
624	US 10B	Dark Oxidized Bronze

7000 Series  
Deadbolt



## 7000 Series Grade 1 Deadbolt Locks

Model#	Notes	Description	Comp	Sub	SNS
<b>Maximum +</b>					
7900		Single cylinder deadbolt			
7900DC		Double cylinder deadbolt			
7900CL		Classroom deadbolt			
7900NT		Single cylinder deadbolt no thumbturn			
<b>Twin Maximum</b>					
7800	CLIQ	Single cylinder deadbolt			
7800DC	CLIQ	Double cylinder deadbolt			
7800CL	CLIQ	Classroom deadbolt			
7800NT	CLIQ	Single cylinder deadbolt no thumbturn			
<b>Twin Exclusive</b>					
E7900		Single cylinder deadbolt			
E7900DC		Double cylinder deadbolt			
E7900CL		Classroom deadbolt			
E7900NT		Single cylinder deadbolt no thumbturn			
<b>Twin 6000 Classic</b>					
7000		Single cylinder deadbolt			
7000DC		Double cylinder deadbolt			
7000CL		Classroom deadbolt			
7000NT		Single cylinder deadbolt no thumbturn			
<b>Twin V-10</b>					
V7900		Single cylinder deadbolt			
V7900DC		Double cylinder deadbolt			
V7900CL		Classroom deadbolt			
V7900NT		Single cylinder deadbolt no thumbturn			
<b>Twin Pro</b>					
7100		Single cylinder deadbolt			
7100DC		Double cylinder deadbolt			
7100CL		Classroom deadbolt			
7100NT		Single cylinder deadbolt no thumbturn			

### How To Order ASSA 7000 Series Deadbolts:

Example: **Model #** 7900.....**Finish** 605.....**Backset** #3 – 2-3/4" Backset .....**Bolt Type** .....F – Face Plate.....**Security Form** Sub.....**Keyway** .....0A7-200

#8 – 2-3/8" Backset      **OR**      D – Drive-In

*Contact Customer Service Department for Keyway Numbers.*

CLIQ – Twin Maximum available with either CLIQ™ Remote or C4 CLIQ™ Technology. Example: 7800 x CLIQ x 626 x Sidebar x Comp

Table of Contents

General Info.

Electronic Access Control

Keys & Keying

Mortise Cyls.

Rim Cyls.

Mogul Cyls.

IC Core Cyls.

KIK/KIL Cyls.

**Deadbolts**

Auxiliary Locks

Padlocks

Profile Cyls.

Pin Kits Tools & Accessories

Care & Maint.

Technical Specs.

## 7000 Series Deadbolt Parts

Model#	Description	Price
13-88965D *	Outside Shell, ASSA DB	
13-88800D	Inside Shell, ASSA DB	
353969 *	Twin V-10 Cylinder Plug	
356071 *	Twin Exclusive Cylinder Plug	
806974	Closing Rod	
816068 * †	Maximum+ / Twin Maximum / Twin Pro Cylinder Plug	
867046	Tailpiece Washer DBOLT/PDLK	
867090	Phillips Screw for Cams, Mortise & Deadbolt Tailpiece – Sold in packs of 100	
900700	2-3/4" Bolt, Drive-In	
900701	2-3/8" Bolt, Drive-In	
900702 *	2-3/4" Bolt, Faceplate	
900703 *	2-3/8" Bolt, Faceplate	
900704	Single Screwpack (Also used with Classroom and No Thumbturn)	
900705	Double Screwpack	
900750 *	Thumbturn Trim Plate Package	
900751 *	Inside Assembly with Thumbturn	
900752	Thumbturn Trim Package Single Cylinder	
900754 *	Double Cylinder Trim Plate Package	
900755 *	Single and Double Cylinder Strike Plate Screw Package	
900757	Strike Reinforcement, Steel Box	
900758	Plastic Dust Cup, Deadbolt	
900759	Strike Reinforcement, Flat Steel	
900760	Security Sleeve	
900761	Security Ring	
900762	DB Drill Protection Pin	
900763 *	#8 X 3/4 Combination WD/Machine Screw	
900764 *	Thumbturn	
900766	Round Front Drive-In Assembly	
900767 *	Strike Plate	
900768 *	Collar, 6 Pin ASSA DB	
900769 *	Spacer Rings for 1 3/8" Door for 7000 Series Deadbolt (Package of 2)	
900770	Thumbturn Retaining Ring	
900771	#8-32 X 3/8 Thumbturn Set Screw	
900772	Thumbturn Tailpiece, Extended, DB	
900773	Thumbturn Spring	
900774	Spindle Retaining Ring	
900775	Thumbturn Spindle, Zinc, DB	
900776	7000 Break Off Tailpiece (For Doors up to 2 1/2" Thick)	
900778	.191 Dia. Ball	
900779	.202 Dia. Ball	

\* - Indicates Finished Components

† – Specify Profile 0A7 for Maximum+ or 0M7 for Twin Maximum 0P4 for Twin Pro.

## M90 Series Grade 2 Deadbolt Locks

### Benefits:

- Security Shield - Guards against ice pick attacks
- Can be keyed alike or master-keyed with other ASSA High Security products
- Deadbolt: UL fire rated
- Door thickness: 1-3/8" (35mm) to 1-3/4" (45mm)
- Available as single cylinder (with thumbturn) or double cylinder
- Adjustable 2-3/8" (60mm) or 2-3/4" (70mm) backset
- Steel hardened bolt pin
- Steel core rosette
- Only available in 626 finish



M90 Series Deadbolt

**ASSA M90 Deadbolt - ANSI/BHMA A156.5 Grade 2 & UL 3 hours fire rating certified Commercial Deadbolt Design for commercial building with Heavy Traffic Applications:**

- High abuse areas
- High traffic areas
- Multi family housing
- Retail complexes

Model#	Notes	Description	Comp	Sub	SNS
<b>Maximum +</b>					
98M9010		Single cylinder w/thumbturn			
98M9020DC		Double cylinder			
<b>Maximum + Restricted</b>					
R28M9010		Single cylinder w/thumbturn			—
R28M9020DC		Double cylinder			—
<b>Twin Maximum</b>					
88M9010	CLIQ	Single cylinder w/thumbturn			
88M9020DC	CLIQ	Double cylinder			
<b>Twin Exclusive</b>					
EM9010		Single cylinder w/thumbturn			
EM9020DC		Double cylinder			
<b>Twin 6000 Classic</b>					
M9010		Single cylinder w/thumbturn			
M9020DC		Double cylinder			
<b>Twin V-10</b>					
VM9010		Single cylinder w/thumbturn			
VM9020DC		Double cylinder			
<b>Twin Pro</b>					
61M9010		Single cylinder w/thumbturn			
61M9020DC		Double cylinder			
<b>SFIC</b>					
M9010-SFIC		Single cylinder w/thumbturn, less cylinder		—	—
M9020DC-SFIC		Double cylinder, less cylinder		—	—
<b>KIK-Schlage-C</b>					
M9010-KIK		Single cylinder w/thumbturn, less cylinder		—	—
M9020DC-KIK		Double cylinder, less cylinder		—	—

CLIQ – Twin Maximum available with either CLIQ™ Remote or CLIQ™ Technology.

Example: 8881-1 x CLIQ x 626 x Sidebar x Comp