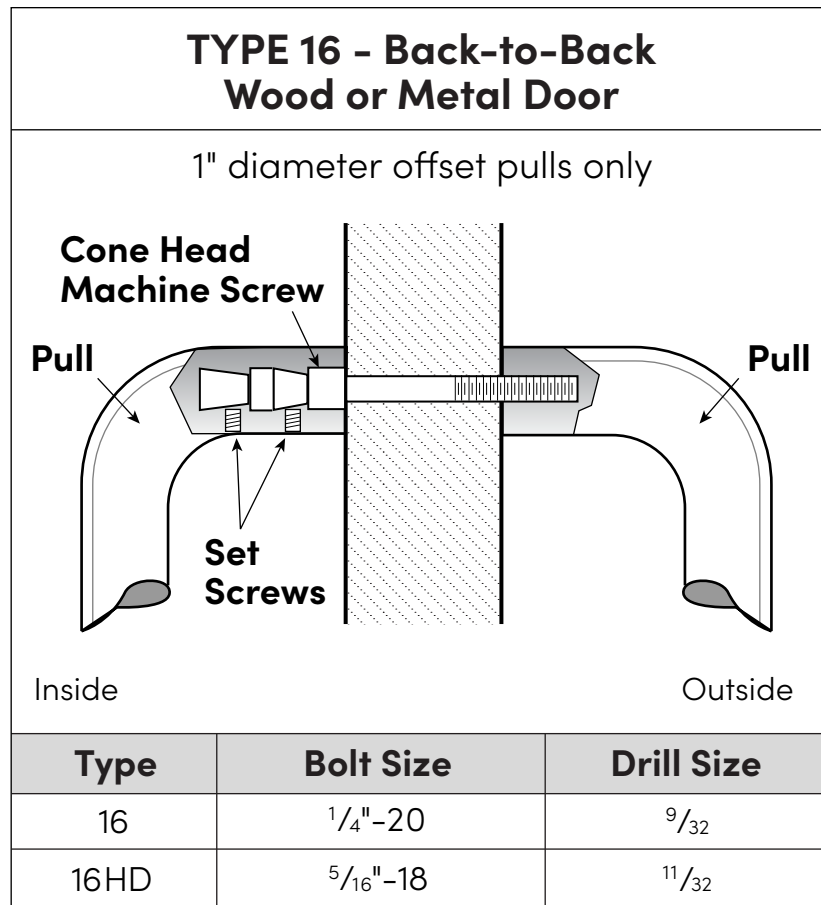


Rockwood TYPE 16

Back-to-Back (Wood or Metal Door)

Experience a safer
and more open world



Note: Y base plates are recommended on wood or glass doors to make a stable and durable mounting.

Note: Heavy Duty (HD) mounting features hex drive for positive tightening and large overall size for superior strength. Recommended for high frequency and rough service openings.