

Model 73BHER

Security Overhead Concealed Closer With Emergency Release, Non-Hold Open

Installation Instructions



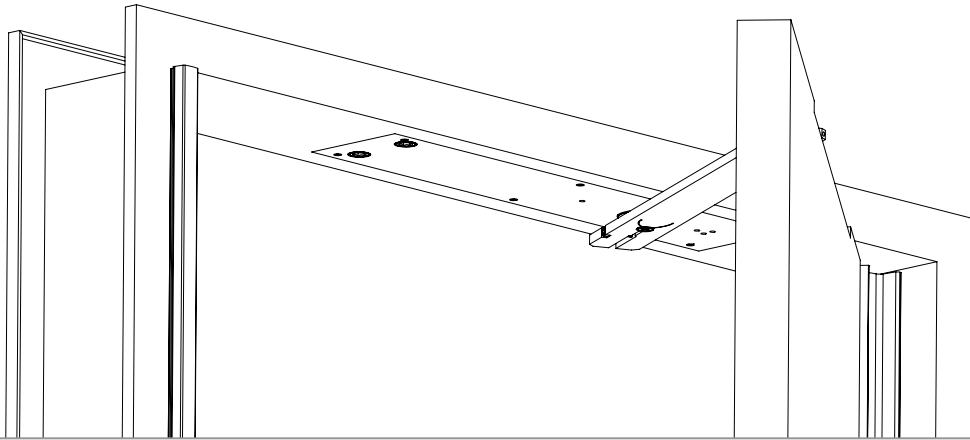
⚠ WARNING

This product can expose you to lead which is known to the state of California to cause cancer and birth defects or other reproductive harm.
For more information go to: www.P65warnings.ca.gov.

These instructions utilize Markar and Pemko Anti-Barricade Rescue Hardware, supplied separately, to illustrate an emergency release hinge installation. For other manufacturers' hinge and/or stop products, please consult Norton Rixson Support for templating and installation modifications.

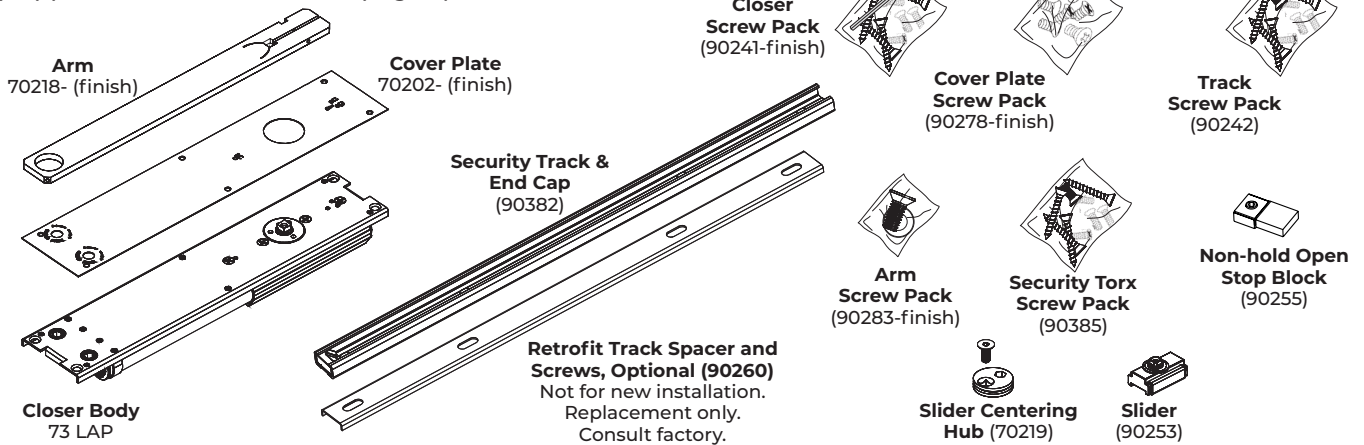
**READ AND FOLLOW ALL INSTRUCTIONS.
SAVE THESE INSTRUCTIONS.**

Model 73BHER, Emergency Release Hinge Hung

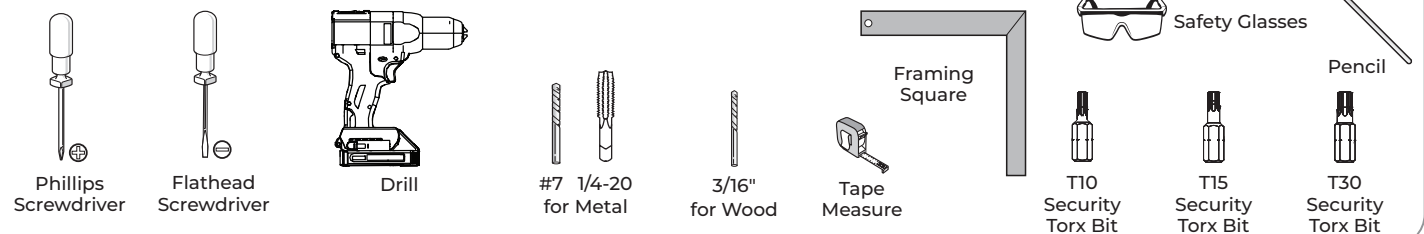


Components

(Supplied fasteners shown on page 3)



Tools Needed



Contents

Before You Begin 2

Mounting Hardware 2

Supplied Fasteners 3

Installation 4

Adjustments 7

Troubleshooting 8

73BHER Overhead Concealed Closer Template 9


IMPORTANT:

- An improperly installed or incorrectly adjusted door closer may cause property damage or personal injury and will void product warranty.
- To avoid personal injury, **DO NOT DISASSEMBLE THIS DOOR CLOSER BODY.**
- Door closers must be securely fastened to a prepared door and frame with fasteners provided.

Before You Begin

- All dimensions are given in inches (millimeters).
- A double swing continuous geared hinge, supplied by others, is required to hang door. Combining a separate emergency release stop, supplied by others, with this hinge is ideal. Refer to installation instructions with hinge and emergency release stop products to install.
- These instructions utilize Markar and Pemko Anti-Barricade Rescue Hardware, supplied separately, to illustrate an emergency release hinge installation. For other manufacturers' hinge and/or stop products, please consult Norton Rixson Support for templating and installation modifications.
- Door and frame must be reinforced for attaching screws.

Mounting Hardware

Mounting Hardware		Door / Frame	Drill
	Top Pivot, Track, Closer, Arm: 1/4-20 x 3/4-FHMS-TORX	Metal	Drill #7 (.201 dia. or 5.10mm) Tap 1/4-20

Model 73BHER

Security Overhead Concealed Closer W/Emergency Release

Supplied Fasteners

Hardware shown in gray is provided but not used for OMH/Security applications.

Cover Plate Screw Pack (90278-finish)

NOT USED

6x
6-32 x 1/4"
PFHMS
Cover

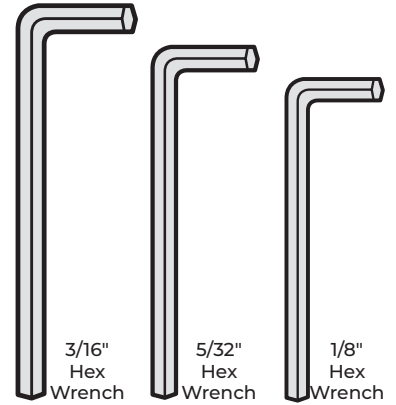
Closer Screw Pack (90241)

NOT USED

4x
1/4-20 x 5/8"
PFHMS
Closer Body

NOT USED

4x
#14 x 1-1/2"
PFHWS
Closer Body



Closer Track Screw Kit (90242)

NOT USED

4x
1/4-20 x 7/16"
PFHUCMS
Track

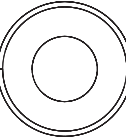
NOT USED

4x
#14 x 1-1/4"
PFHWS
Track

Arm Screw Pack (70251-finish)

NOT USED

2x
1/4-20 x 3/4"
FH-Allen w/NP
Arm Attach



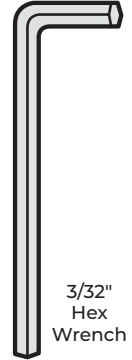
1x
Conical
Washer
Arm Attach



2x
10-24 x 3/8"
SHSS
Arm Attach



1x
10-24 x 1-1/2"
SHCS
Arm Clamp



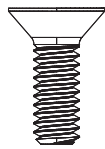
Security Torx Screw Pack (90385)



2x
8-32 x 1/4"
FHUCMS-TORX
Top Pivot



6x
6-32 x 1/4"
FHMS-TORX
Track



15x
1/4-20 x 3/4"
FHMS-TORX
Top Pivot, Track,
Closer, Arm

Installation

A. Prepare frame and door.

1. Using templates supplied with double swing hinge and emergency release stop products, prepare door and frame. (Figure 1)

NOTE: These instructions illustrate the Markar DSH1000 hinge and the Pemko DSHP01 hinge with Pemko ERS or ERSMP stop. For comprehensive information about those products, visit www.assaabloydooraccessories.us. For other manufacturers' hinge and/or stop products, please consult Norton Rixson Support for templating and installation modifications.

2. Using template provided with these instructions, prepare frame header and door for closer. (Figure 2)

3. Confirm all cutout dimensions for closer.

NOTE: Closer is installed centered to closed door. Depending on application, it may not be centered in width of frame header.

Markar DSH1000
Double Swing Hinge

Pemko Emergen-
cy Release Stop

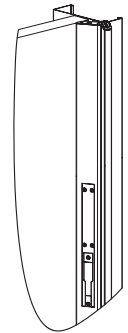
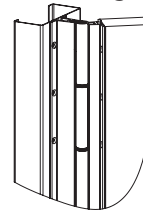


Figure 1

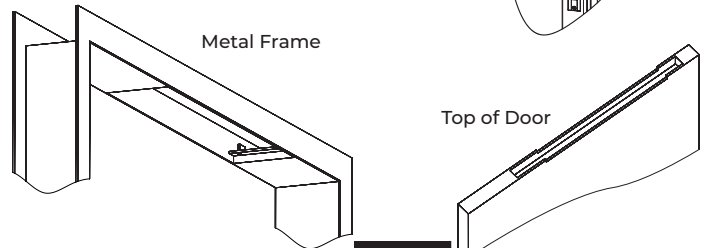


Figure 2

B. Install hinge and emergency release stop.

1. Verify frame is square and plumb.
2. Using manufactures' installation instructions, mount hinge and frame stop supplied by others.
3. Mount door to leave 3/32" (2) gap between top of door and frame header. (Figure 3)

NOTE: Door should swing freely.

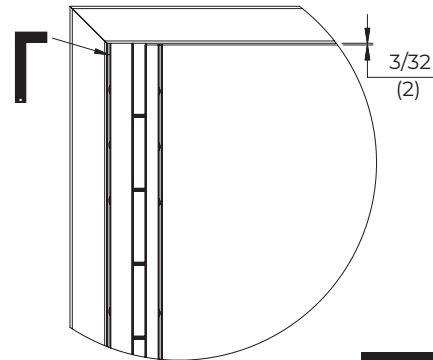


Figure 3

C. Assemble track.

1. Slide track components into track. (Figure 4)

NOTES:

- All track components must be placed in track before installing track into door.
- Insert slider into track first.
- The longer end of slider should be pointed towards hinge side of door.

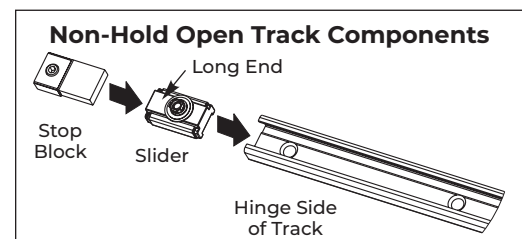


Figure 4

Model 73BHER

Security Overhead Concealed Closer W/Emergency Release

Installation (cont.)

D. Install track to door.



1. Make sure slider and track components are installed prior to installing track to door. See Step C.
2. Install track into top of door using a T30 Security Torx bit with four (4) 1/4-20 x 3/4-FHMS-TORX machine screws for metal doors. (Figure 5).

NOTES:

- If necessary, use optional retrofit spacer (replacement application only, consult factory).
- Track endcap is oriented away from hinge edge of door.

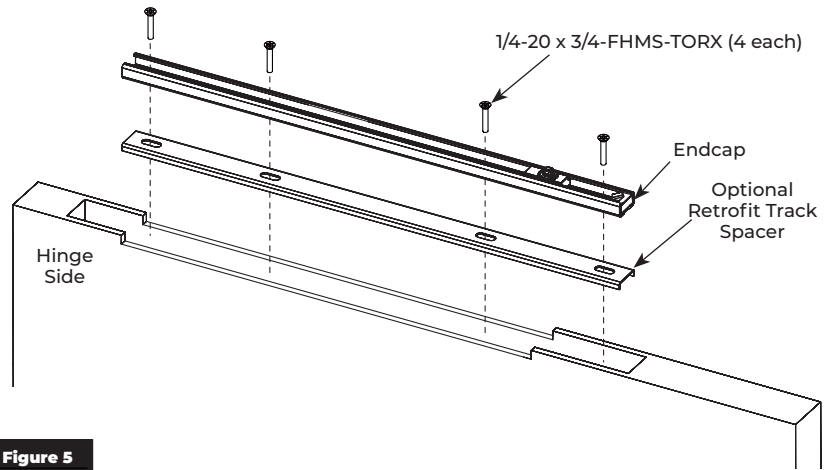
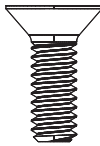


Figure 5

E. Install closer.



1. Install closer into frame using a T30 Security Torx bit with four (4) 1/4-20 x 3/4-FHMS-TORX machine screws. (Figure 6)

NOTE: Mounting plate should be flush with frame rabbet.

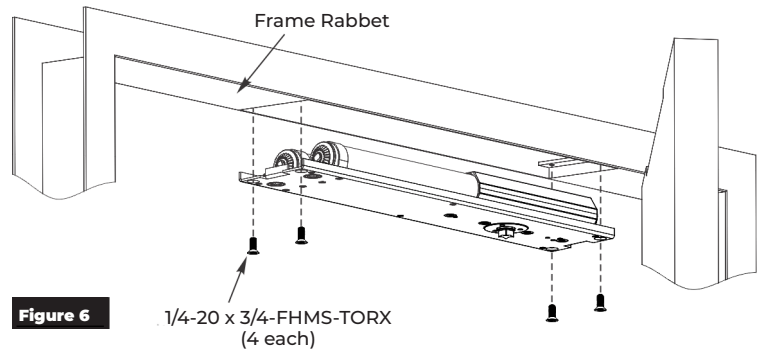


Figure 6

F. Install cover plate.



1. Install cover plate to closer body using a T10 Security Torx bit with six (6) 6-32 x 1/4-FHMS-TORX machine screws. (Figure 7)

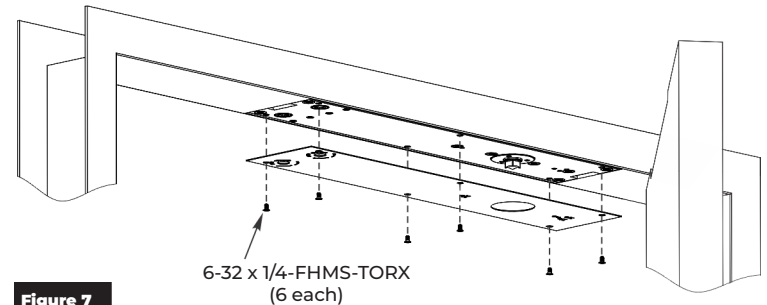


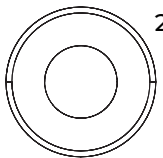
Figure 7

G. Attach arm to closer.



1. Attach arm to closer shaft using a T30 Security Torx bit and 1/4-20 x 3/4-FHMS-TORX w/Nylon Patch screw and washer. Tighten securely. (Figure 8)

NOTE: Ensure countersink recess side of arm faces down.



2. Insert 10-24 x 1-1/2" socket head cap screw into arm and clamp arm tightly to pinion square. (Figure 8)

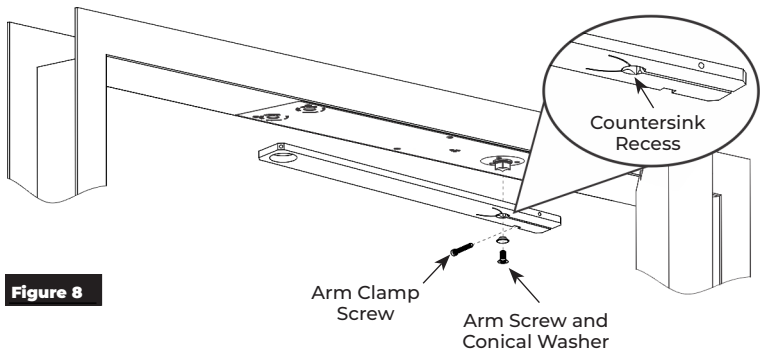


Figure 8

Installation (cont.)

H. Attach arm to track.

1. With provided 1/8" hex wrench, completely tighten latch and sweep valves by turning clockwise. This will allow for an easier closer-to-door connection. (Figure 9)

CAUTION: Arm will be under strong spring force to return if valves are not tightened completely closed.

2. Open door to about 45° then rotate arm over to door.

NOTES:

- With latch and sweep valves tightened, arm will maintain position.
- If door is opened beyond 45°, backcheck may need to be adjusted counter clockwise to easily rotate arm to door position.

3. Install slider centering hub through arm into slider. (Figure 10)

NOTE: Countersink recess should face up.

4. Align hub initially as shown and insert two (2) 10-24 x 3/8" Adjustment Set screws. Turn both set screws just enough to retain slider centering hub. Do not tighten firmly at this time. (Figure 11)

NOTE: Align square shank of slider with square in centering hub for proper fitment.

5. Insert arm attach screw, 1/4-20 x 3/4-FHMS-TORX w/Nylon Patch, and tighten using a T30 Security Torx bit. (Figure 10)

6. Open latch and sweep valves to allow door to close and observe door and frame alignment. If door is not resting against emergency stop release device when closed, reopen door and use 5/16" hex wrench to rotate slider centering hub until door comes to rest against ERS device. (Figure 12)

NOTE: DO NOT fully open valves. Valves will leak.

7. When door is completely aligned, tighten both adjustment set screws.

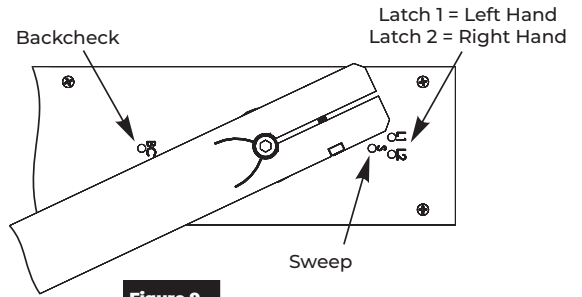


Figure 9

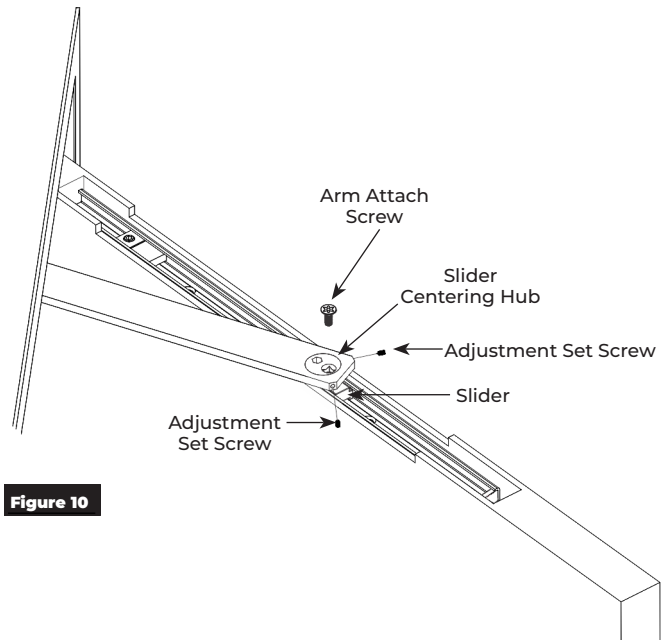


Figure 10

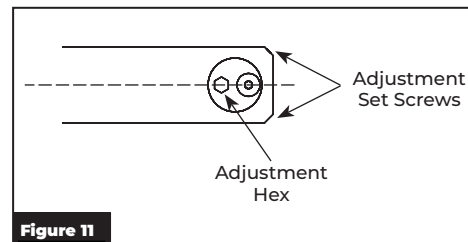


Figure 11

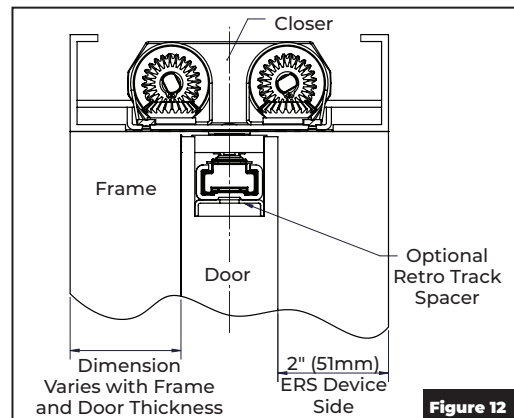


Figure 12



Model 73BHER

Security Overhead Concealed Closer W/Emergency Release

Adjustments

Speed Adjustment

Use provided 1/8" hex wrench to adjust sweep, latch and backcheck valves to control speed of door. (Figure 13)



NEVER completely close backcheck valve.
NEVER use backcheck as a dead stop.
NEVER fully open valves. Valves will leak.

Do not use a power drill. Warranty will be void.

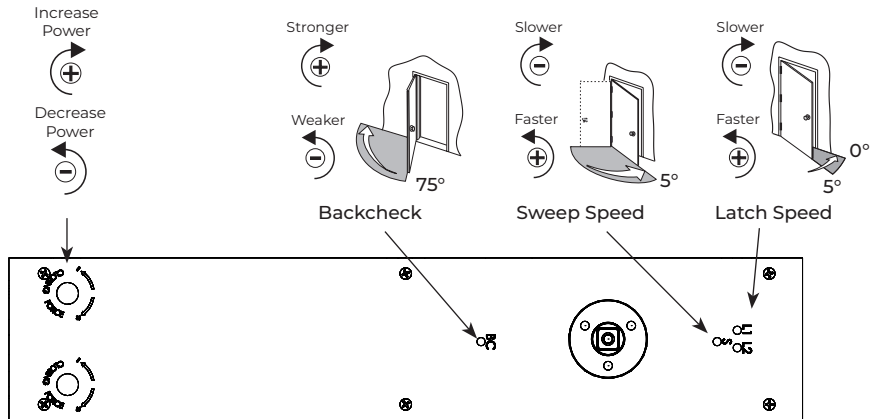


Figure 13

Closing Force Adjustment

If additional force is needed, use 3/8" hex wrench to adjust closing force. (Figure 14)

Use spring adjustment screw that corresponds with hand of swing. (Figure 13)



Do not use a power drill. Warranty will be void.



All 73BHER closers are factory set to minimum force. Adjust closer as necessary for more force taking into consideration door size, weight, positive room pressure, etc.

Spring Power Adjustment for Closing Force (Closer shipped at lowest setting)					
Model PH73BHN			Model 73BHN		
Closer Size	Description	Approx # of 360° Turns	Closer Size	Description	Approx # of 360° Turns
ADA	<5 lbs Opening Force	0	1	2 - 3 lbs Closing Force	0
1	2 - 3 lbs Closing Force	15	2	3 - 5 lbs Closing Force	15
2	3 - 5 lbs Closing Force	30	3	5 - 8 lbs Closing Force	35
3	5 - 8 lbs Closing Force	50	4	8+ lbs Closing Force	50

Figure 14

Installation of the **Model 73BHER Overhead Concealed Closer** is now complete.

The ASSA ABLOY Group is the global leader in access solutions. Every day we help people feel safe, secure and experience a more open world.



ASSA ABLOY

Troubleshooting

Symptom	Cause	Remedy
Door won't latch	Spring tension not strong enough	Increase opening force. See Adjustments on page 7.
	Latch speed control not fast enough	Adjust latch speed valve. See Adjustments on page 7.
	Door hung on products other than emergency release hinges specified	Send template for hanging means to factory. A new installation sheet is required. Closer may need to be relocated.
	Arm is not preloaded	See Step H. Attach arm to track. on page 6
Door is too difficult to open	Spring tension is set too strong	Decrease opening force. See Adjustments on page 7.

Technical Product Support:
 Monroe, NC 28112 USA
 Phone: 877.974.2255 ext: 2
 Techsupport.NortonRixson@assaabloy.com
 NortonRixson.com

Norton Rixson is a brand associated with ASSA ABLOY Accessories and Door Controls Group, Inc., an ASSA ABLOY Group company. Copyright © 2024, ASSA ABLOY Accessories and Door Controls Group, Inc. All rights reserved. Reproduction in whole or in part without the express written permission of ASSA ABLOY Accessories and Door Controls Group, Inc. is prohibited.

Approved 2024-10-04

IS-73BHER Rev1 10/24

