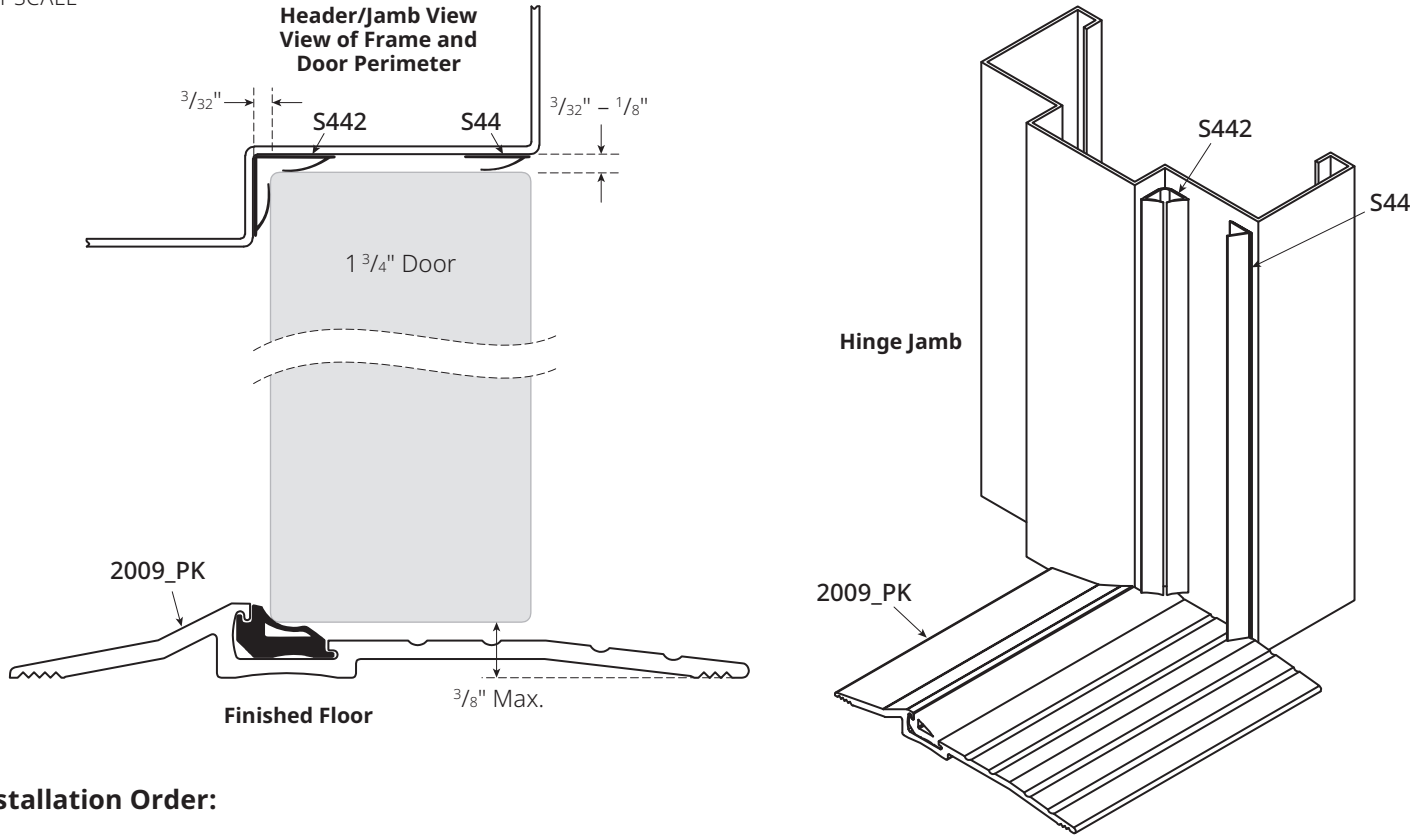


**PEMKO**  
**ACOUSTICAL SEAL SET**  
**FOR DOOR & FRAME – 6C**

Experience a safer  
and more open world

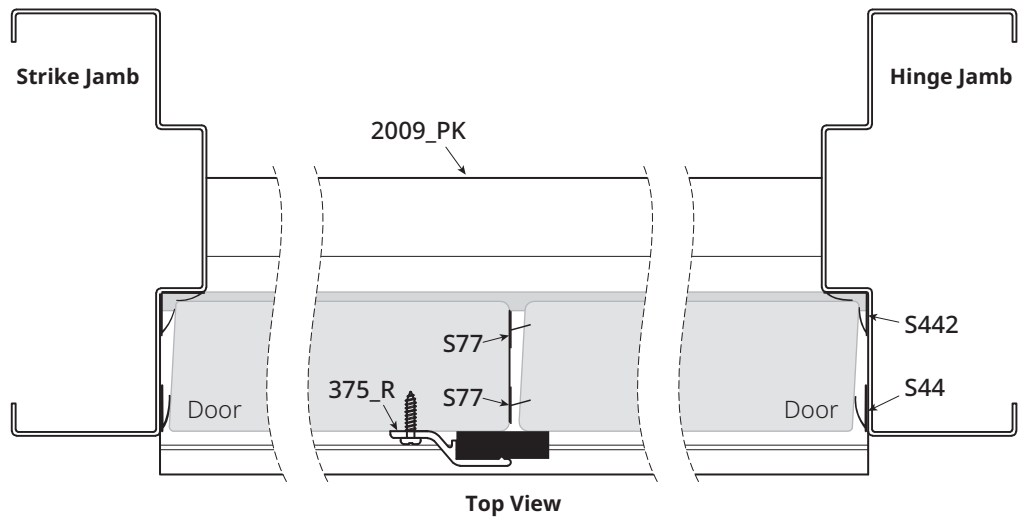
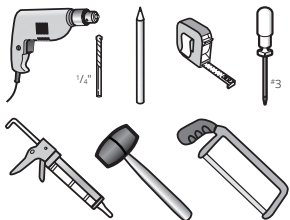
DO NOT SCALE



**Installation Order:**

- Step 1** 2009\_PK Threshold
- Step 2** S442 Jambs & Header
- Step 3** S44 Jambs & Header
- Step 4** 375\_R Active Door Meeting Edge
- Step 5** S77 X 2 Door Edge

**Tools Required:**



Pemko  
5535 Distribution Dr.  
Memphis, TN 38141  
www.pemko.com

Memphis, TN USA  
P: 800 824 3018  
F: 800 243 3656

Ventura, CA USA  
P: 800 283 9988  
F: 800 283 4050

Vaughan, ON CA  
P: 800 461 3007  
F: 800 461 8989