



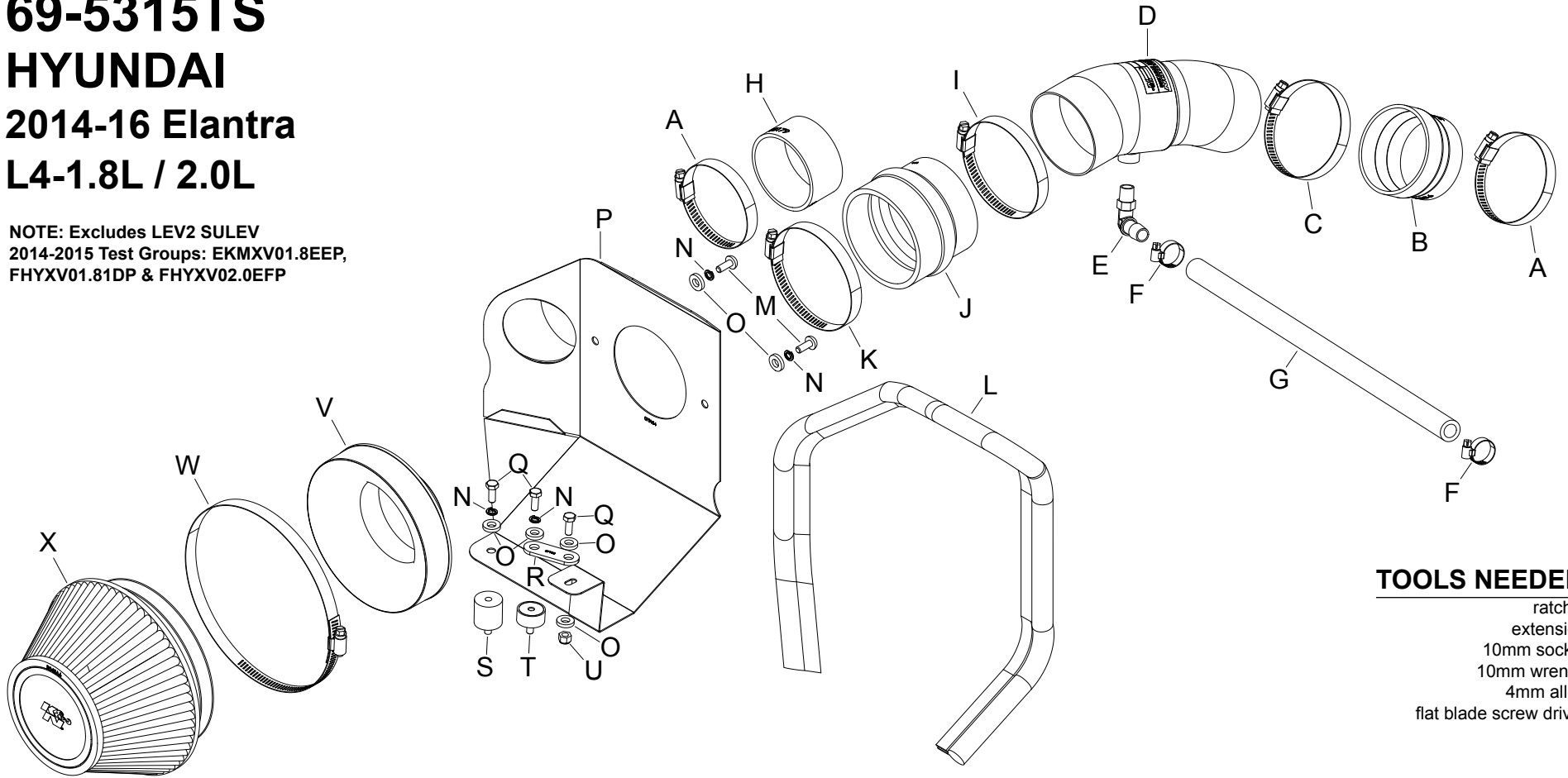
TYPHOON INTAKE SYSTEMS

NOT LEGAL FOR SALE OR USE ON ANY POLLUTION CONTROLLED MOTOR VEHICLE IN CALIFORNIA OR STATES ADOPTING CALIFORNIA EMISSION PROCEDURES.
See knfilters.com for CARB status on each part for a specific vehicle

INSTALLATION INSTRUCTIONS

69-5315TS HYUNDAI 2014-16 Elantra L4-1.8L / 2.0L

NOTE: Excludes LEV2 SULEV
2014-2015 Test Groups: EKMXV01.8EEP,
FHYXV01.81DP & FHYXV02.0EFP



TOOLS NEEDED:

- ratchet
- extension
- 10mm socket
- 10mm wrench
- 4mm allen
- flat blade screw driver

PARTS LIST:

Description	Qty.	Part #	Description	Qty.	Part #	Description	Qty.	Part #
A hose clamp #44 stainless	2	08560	I hose clamp #52	1	08610	Q bolt; 6mm-1.00 x 16mm, ss	3	07812
B hose; 3" to 2-3/4" id x 2" l tprd	1	084036	J hose; hump 3.25/3.50 x 3.00"	1	5-576	R bracket; 57-9018, mild stl, tb/pc	1	07133
C hose clamp #48	1	08601	K hose clamp #56	1	08620	S stud; rubber mount, m6 x 1, 1" t	1	02033
D intake tube	1	27496TS	L edge trim (35")	1	102471	T stud; rubber mnt, m/f, 1/2"l x 1"w	1	070228
E vent; 90deg, 1/2" hose, 1/4" npt	1	08110FK	M bolt; m6 x 1.00 x 16mm ,ss	2	07730	U nut; 6mm nylock, hexhead, ss	1	07512
F hose clamp #6 mini	2	08407	N washer, m6 split lock zinc	4	1-3025	V adapter; universal, 6" filter 3.5"	1	21512-1
G hose; 1/2" id x 19" l	1	084075	O washer; 1/4" id x 5/8" od - sae	6	08275	W hose clamp # 104	1	08697
H hose; 2-3/4" id x 1-1/2" l	1	08179	P heat shield	1	073184	X air filter	1	RU-4600

NOTE: FAILURE TO FOLLOW INSTALLATION INSTRUCTIONS AND NOT USING THE PROVIDED HARDWARE MAY DAMAGE THE INTAKE TUBE, THROTTLE BODY AND ENGINE.

TO START:

1. Turn off the ignition and disconnect the negative battery cable.
NOTE: Disconnecting the negative battery cable erases pre-programmed electronic memories. Write down all memory settings before disconnecting the negative battery cable. Some radios will require an anti-theft code to be entered after the battery is reconnected. The anti-theft code is typically supplied with your owner's manual. In the event your vehicles anti-theft code cannot be recovered, contact an authorized dealership to obtain your vehicles anti-theft code.



2. Lift up and remove the decorative engine cover.



3. Release the spring clamp securing the crank case vent hose to the intake tube and then disconnect it from the intake tube.



4. Release the spring clamp securing the crank case vent line to the fitting on the valve cover and then remove the hose from the engine.



5. Release the two pins that secure the fresh air intake scoop to the core support and then remove the fresh air intake scoop from the vehicle.



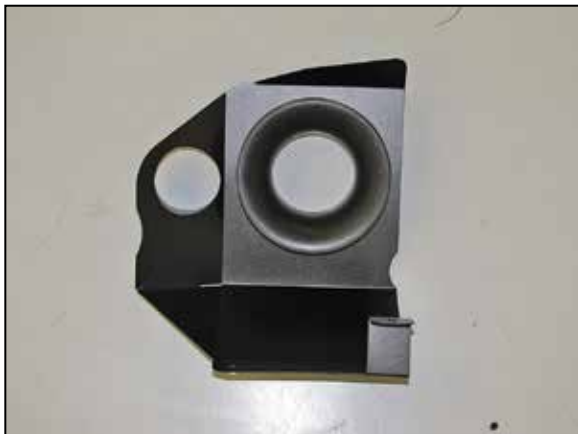
6. Loosen the hose clamp securing the intake tube to the throttle body.



7. Remove the three bolts that secure the air filter housing to the inner fender and then remove the air filter housing and intake tube from the vehicle.
NOTE: K&N Engineering, Inc., recommends that customers do not discard factory air intake.



8. Install the two provided rubber mounted studs into the inner fender as shown.
NOTE: The 1" tall stud is to be installed in the forward most position.



9. Install the provided filter adapter into the heat shield and secure with the provided hardware.



10. Install the provided edge trim onto the heat shield as shown.
NOTE: Some trimming of the edge trim will be necessary.



11. Install the provided bracket (07133) onto the heat shield using the provided hardware.
NOTE: Do not completely tighten at this time.



12. Set the heat shield onto the rubber mounted studs install previously and secure with the provided hardware. Tighten all of the hardware securing the heat shield.



13. Install the K&N® air filter onto the filter adapter and secure with the provided hose clamp.



14. Install the provided coupling hose (084036) onto the throttle body and secure with the provided hose clamp.



15. Install the provided coupling hose (5-576) onto the K&N® intake tube as far as possible as shown. Do not tighten the hose clamps at this time.



16. Install the 90° vent fitting into the K&N® intake tube as shown.
NOTE: Plastic NPT fittings are easy to cross thread. Install the vent fitting "hand" tight, then turn it two complete turns with a wrench.



17. Install the provided crank case vent hose onto the fitting installed into the K&N® intake tube as shown and secure with the provided hose clamp.



18. Install the K&N® intake tube into the coupling hose at the throttle body, slide the coupling hose onto the filter adapter and then adjust the tube for best fit and secure with the provided hose clamps.



19. Connect the crank case vent hose to the fitting on the valve cover and secure with the provided hose clamp.
NOTE: Some trimming of the crank case vent hose will be necessary.



20. Separate the fresh air intake scoop from the duct.
NOTE: The fresh air duct is glued to the scoop; use a small screw driver and care when separating the duct so as not to damage the fabric duct.



21. Install the provided coupling hose (08179) onto the intake scoop as shown.



22. Install the fresh air intake scoop and secure it to the heat shield with the provided hose clamp and factory retaining pins.



23. Reinstall the engine cover.

23. Reconnect the vehicle's negative battery cable. Double check to make sure everything is tight and properly positioned before starting the vehicle.

24. It will be necessary for all K&N® high flow intake systems to be checked periodically for realignment, clearance and tightening of all connections. Failure to follow the above instructions or proper maintenance may void warranty.

ROAD TESTING:

1. Start the engine with the transmission in neutral or park, and the parking brake engaged. Listen for air leaks or odd noises. For air leaks secure hoses and connections. For odd noises, find cause and repair before proceeding. This kit will function identically to the factory system except for being louder and much more responsive.

2. Test drive the vehicle. Listen for odd noises or rattles and fix as necessary.

3. If road test is fine, you can now enjoy the added power and performance from your kit.

4. K&N Engineering, Inc., requires cleaning the intake system's air filter element every 100,000 miles. When used in dusty or off-road environments, our filters will require cleaning more often. We recommend that you visually inspect your filter once every 25,000 miles to determine if the screen is still visible. When the screen is no longer visible some place on the filter element, it is time to clean it. To clean and re-oil, purchase our filter Recharger® service kit, part number 99-5050 or 99-5000 and follow the easy instructions.

NOT LEGAL FOR SALE OR USE ON ANY POLLUTION CONTROLLED MOTOR VEHICLE IN CALIFORNIA OR STATES ADOPTING CALIFORNIA EMISSION PROCEDURES.

See knfilters.com for CARB status on each part for a specific vehicle