



# INSTALLATION INSTRUCTIONS

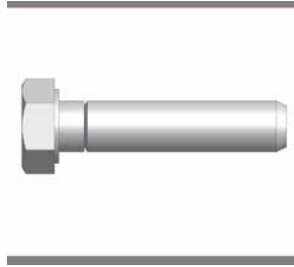
## Universal Security Lockbox Part #027

Please read and fill out the enclosed warranty registration card to activate your warranty.

### Shipping Package



(1) Mounting Bracket



(4) 5/16" x 1 1/4" Bolts



(4) 5/16" Washers



(4) 5/16" Nuts

### Tools Needed

- Power drill
- 3/8" drill bit
- (2) 1/2" wrenches

### Installation

#### Read all instructions before starting installation

**If the lockbox will be mounted under the hood on the wheel well, attach the mounting bracket to the lockbox first (See FIGURE 2).**

1. Place the lockbox in the vehicle

**If the lockbox will be mounted in a 87-95 Wrangler no drilling is required.**

2. With the lockbox in place mark the mounting holes.

**Warning! Make sure there is nothing under the vehicle that will be damaged while drilling**

3. Remove the lockbox and drill out the marked spots.
4. Fasten the lock box to the vehicle using the 5/16" hardware provided. (See FIGURE 1)
5. Lock it up!

FIGURE 1

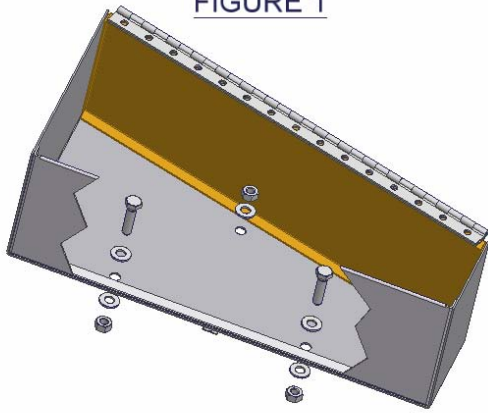
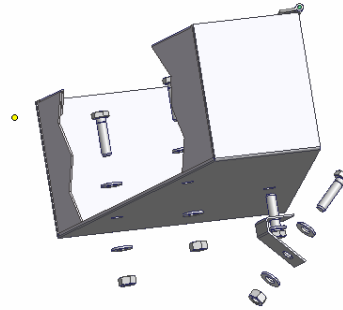


FIGURE 2



## ATTENTION:

### FREQUENT LUBRICATION IS NECESSARY ON THE LOCKING SYSTEM

The pushbutton lock contains an “O” ring seal to protect the interior from dust and water. If this mechanism is not lubricated regularly it will become difficult to operate and it may not return to its home position preventing the key from operating the lock. If this happens simply pull up on the pushbutton to manually bring it back to its home position. Lubricate the pushbutton with a light lubricant such as silicone spray. The pushbutton may have to be periodically disassembled and cleaned.

Call (970)564-1762 for Technical Support