

INSTALLATION INSTRUCTIONS

55321T RC2 LR CENTRAL MOUNT & 55326T RC2 LR BOTTOM MOUNT

Read the installation instructions completely and verify that all of the parts listed are accounted for. If you have defective, missing or damaged parts or need assistance, please contact **Go Rhino Products** for fast, friendly customer service at: **1-888-427-4466** or email: **warranty@gorhino.com**

It is the customer's responsibility to protect the finish with a regular application of a non abrasive polish compatible with the products finish.

TOOL REQUIRED:

1/2" Socket

Ratchet

STEPS TO INSTALL THE LED:

1. Install the brackets (sold separately) on the vehicle.
2. Install auxiliary LED (sold separately) on the welded plates shown on illustration.
 - a).- Remove the nut and install the auxiliary LED on plates as shown.
 - b).- Attach the LED with the nut removed before.
 - c).- To adjust the LED see illustrations 1 & 2.
3. Place the RC2 LR into the brackets
4. Align and adjust the RC2 LR.
5. Tighten all the hardware.
6. Connect wiring according to the LED diagram.

ILLUSTRATION 1.

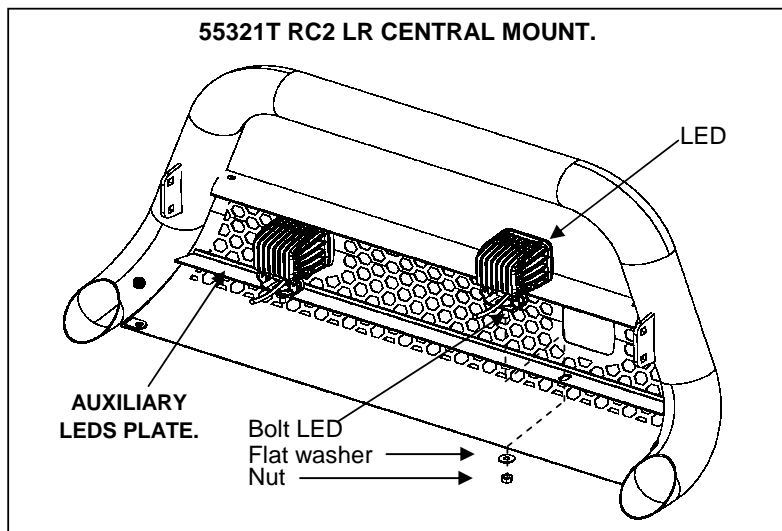


ILLUSTRATION 3.

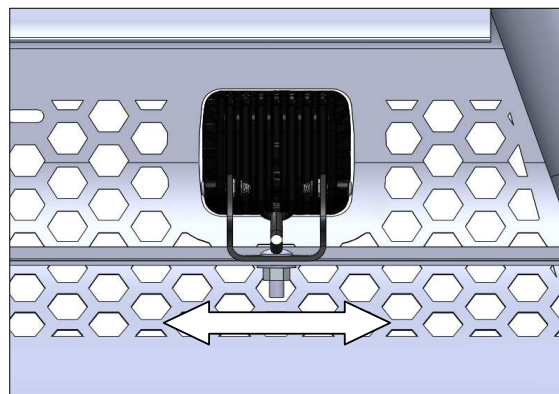


ILLUSTRATION 2.

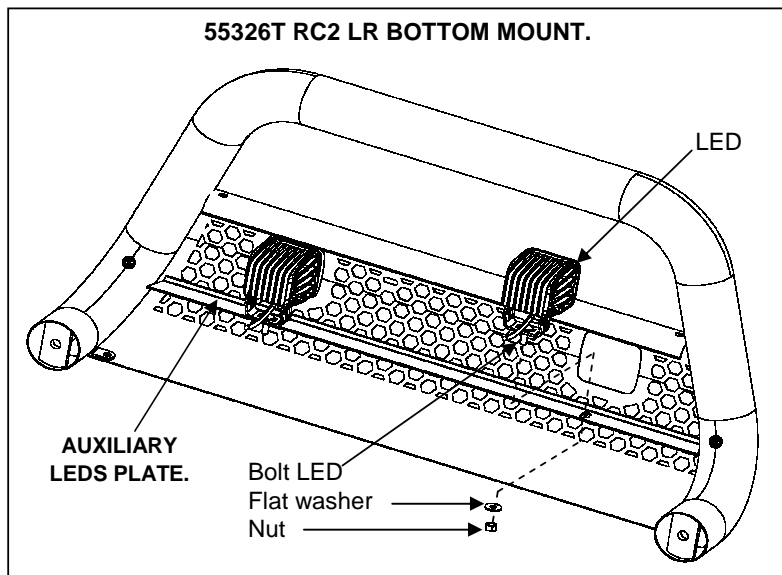


ILLUSTRATION 4.

