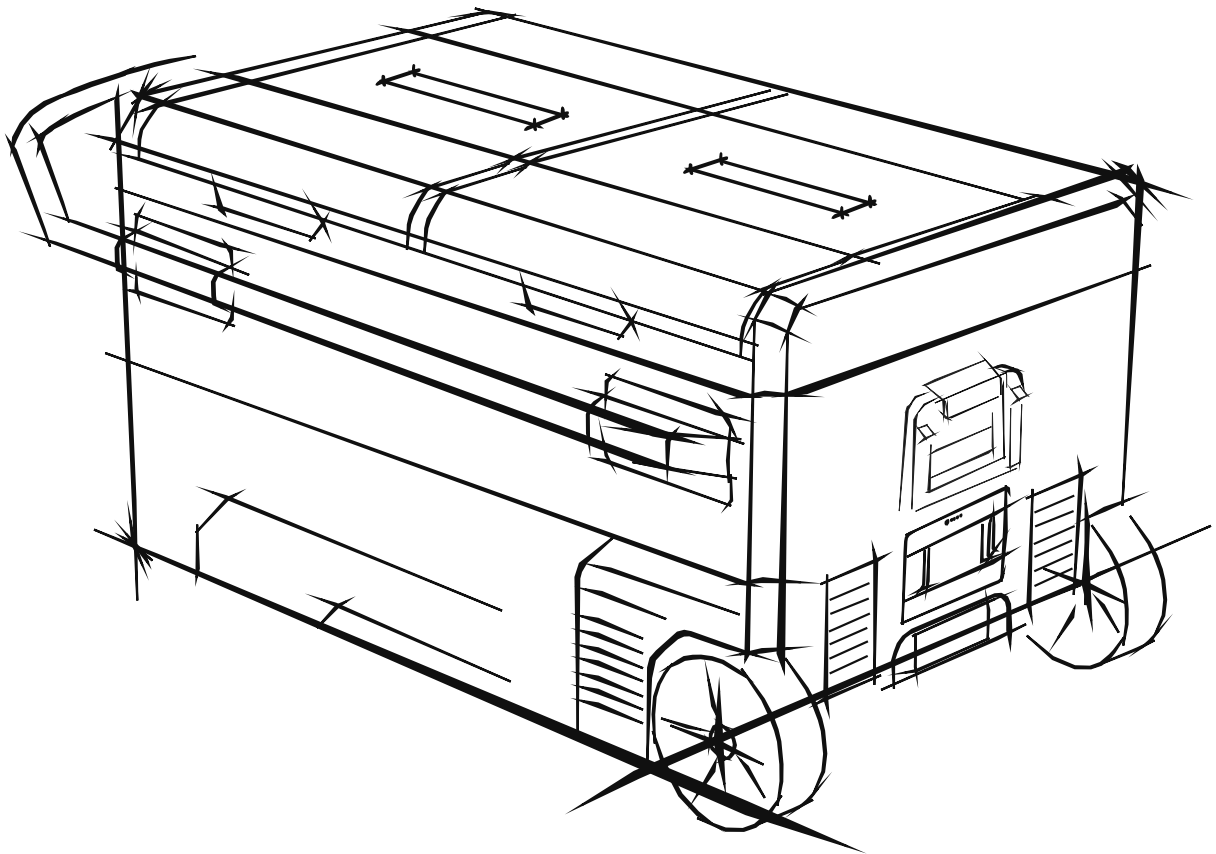


Portable Refrigerator



USER MANUAL PART #W60



Please read this operating manual carefully before using device.
Keep it in a safe place for future reference.

Contents

1.Safety Instructions	Page1
2.Product Features	Page2
3.Product Structure	Page2
4.Installation	Page3
5.Function and Operation	Page4,5
6.Cleaning and Storage	Page6
7.Troubleshooting	Page7
8.Technical Information	Page8

1. Safety Instructions



WARNING! Failure to obey these warnings could result in malfunction of your device and possible injury for yourself and other users.

- Do not operate the device if it is visibly damaged.
- Do not block the gaps of the device.
- Do not expose the device to rain or soak it in water.
- Do not place the device near open flames or other heat sources (heaters, direct sunlight, gas ovens etc.)
- Do not store explosive substances like spray cans with flammable propellants in the device.
- Before starting the device, ensure that the power supply line and the plug are dry.
- Check if the voltage specification on the type plate matches that of the energy supply.
- Once unpacked and before turning on, the device must be placed on a level surface for more than 6 hours.
- Make sure that the device stays horizontal when it is running. The tilt angle must be less than 5° for long term running and be less than 45° for short term running.
- The refrigerator must be well ventilated for heat dissipation and have space for airflow (Back Space > 8", Side Space > 4").
- The device may only be repaired by qualified personnel. Improper repairs can lead to safety hazards. If the power cable is damaged, it must be replaced by the manufacturer, customer service or a similarly qualified person in order to prevent safety hazards.



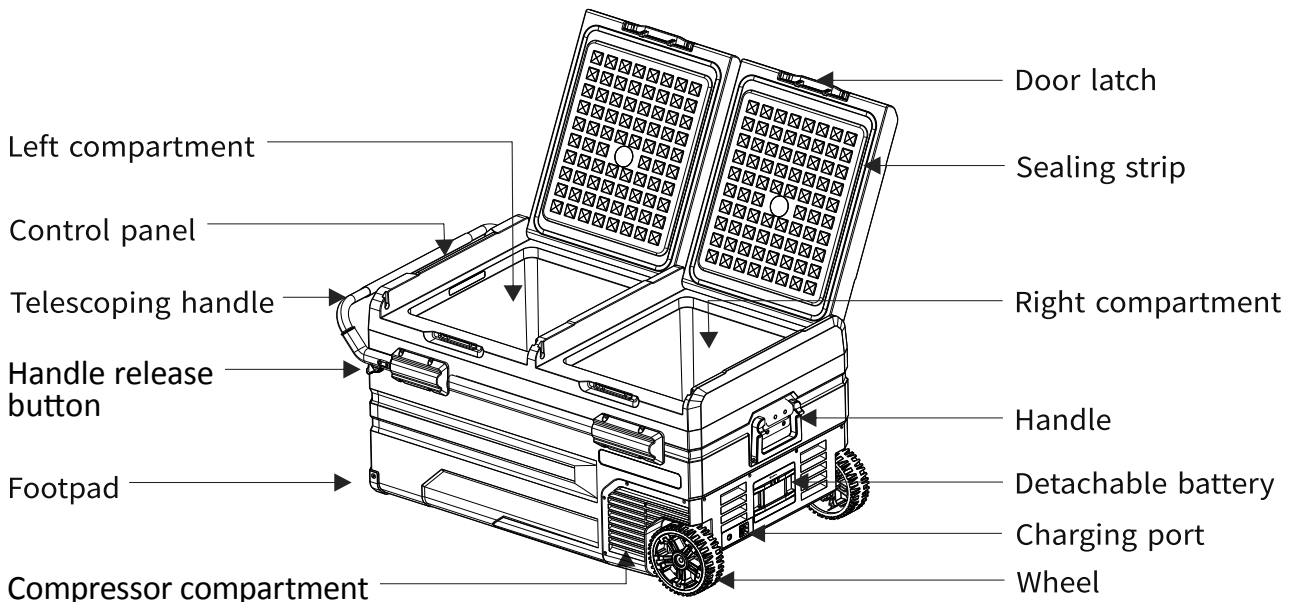
NOTICE!

- The device can be used by children aged 8 or over, as well as by persons with reduced physical, sensory or mental capabilities or a lack of experience and/or knowledge, providing they are supervised or have been taught how to use the device safely and are aware of the resulting risks.
- Children must be supervised to ensure that they do not play with the device.
- The installation of DC power in a boat must be handled by qualified electricians.
- Disconnect the device or switch it off when you turn off the engine. Otherwise you may discharge the battery.

2.Product Features

- High-efficiency DC compressor and conversion module, with Hi/Lo compressor mode for energy savings or max cooling.
- CFC free and great heat insulation.
- Lithium battery recharged by DC12/24V or AC 100-240V (using the adapter).
- Fast cooling to -20°C/-4°F (based on 25°C/77°F room temperature).
- LCD digital display for temperature setting.
- Built-in LED lighting
- Dual compartments with individual temperature control.
- Drain plug in bottom for easy clean out.
- Three stage battery protection system prevents discharged batteries.
- Optional battery back up.
- Specific parts: wire storage baskets, interior drain plug, oversize wheels and telescoping handle, detachable battery, lid/door with built-in cup holder, interior LED light.
- Downloadable CSI Black Ice app for smart phones and tablets:
 - Shows voltage, temp, and battery condition if connected
 - Allows adjustment of temperature, battery protection, compressor speed, °F or °C, and all settings
 - Can turn on or off via the CSI Black Ice app
 - Compatible with IOS and Android mobile devices
- To download the CSI Black Ice app:
 - Apple phone/tablet: Visit the Apple app store and search CSI Black Ice, download the app to your phone or tablet
 - Android phone/tablet: Visit the Google Play store and search CSI Black Ice, download the app to your phone or tablet

3.Product Details



Note:

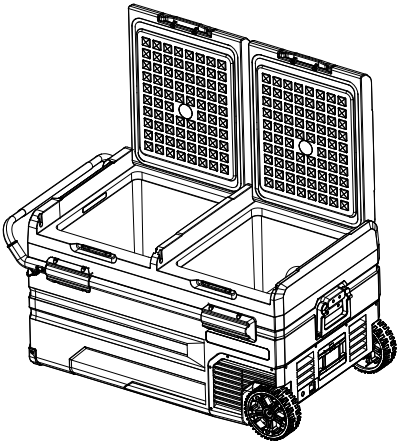
*Removable battery: press left and right to remove/insert the battery.

*Press the handle release buttons on both sides of the telescoping handle at the same time to extend the handle.

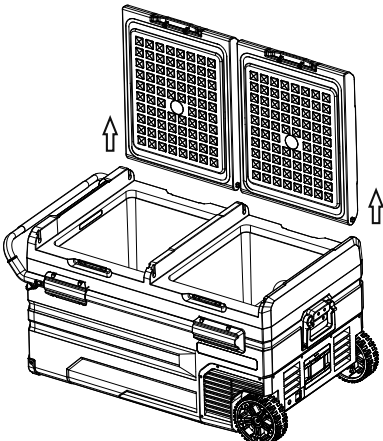
4. Installation

The door opening direction can be changed according to actual needs, please follow the instructions below:

Door Disassembly:

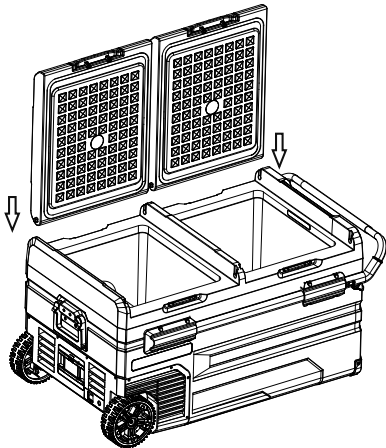


Open the door at a 90° angle

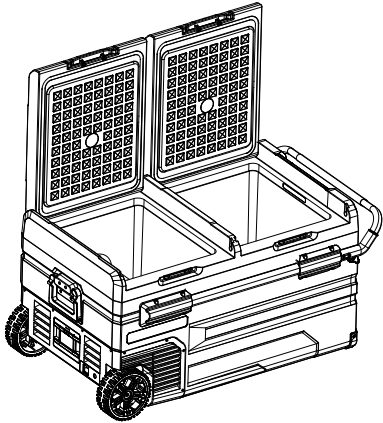


Take off the door body vertically

Door Installation:






Align the door shaft with the compartment hole and insert it




Finish installation
The direction has been changed


5.Function and Operation



- **Power supply:** connect to 12V/24V DC power, 100~240V AC power(using the adapter), or use back-up lithium battery which can be recharged.
- **Display Screen Initialization:** when the fridge is connected to the power supply, the buzzer will make a long beep, and the display will be on for two seconds then enter the normal operating mode.
- **Power On/Off:** long press  for three seconds to switch ON/OFF.
- **Temperature Setting:** under the running state, long press **+** and  at the same time for three seconds to switch ON/OFF the left compartment, long press **-** and  at the same time for three seconds to switch ON/OFF the right compartment, two compartments cannot be switched off at the same time.



When both left and right compartments are set in running state, press **+** or **-** to enter left compartment temperature setting, press **+** to increase temperature, press **-** to decrease temperature, and press  to switch left/right compartment. The setting will be saved after operating for four seconds(Note: the temperature displayed is the current temperature of the compartments, it will take a while to reach the set temperature.)

Temperature setting range: -20~20°C (-4~68°F)

- **Cooling Mode:** under the running state, press  to switch MAX(fast cooling) and ECO (Energy saving Mode).(*Factory setting is MAX.)


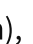
ECO

MAX

- **Temperature Unit Setting:** switch off the fridge, long press  for three seconds until E1 displays, then switch to E5 by pressing  again. Under E5 mode, press **+** or **-** to select Celsius or Fahrenheit.(*Factory setting is F°.)

°C

°F

- **Battery Protection Mode:** under the running state, long press  for three seconds until screen flashes, then press  again to select protection mode H(High), M(Middle) and L(Low) (*Factory setting is H.)

H

M

L

The battery protection mode will protect your car & fridge when the voltage is insufficient. Due to the different output voltages between vehicles, H should be set when the product is connected to car power, and M or L should be set when it is connected to a portable battery or other back-up battery.


The battery protection should be set from H to M or from M to L if there is a voltage protection code FI shown on the panel. The battery gear should be set to H (high) if the refrigerator needs to keep working after turning off the car engine and to avoid the possibility of overuse or draining the battery to the point where the vehicle cannot be restarted.

Voltage Reference:

INPUT MODE	DC 12V		DC 24V	
	CUT OUT	CUT IN	CUT OUT	CUT IN
L	9.0V	10.9V	21.3V	22.7V
M	10.1V	11.4V	22.3V	23.7V
H	11.1V	12.4V	24.3V	25.7V

*the voltage is theoretical value, there may be a deviation in different scenarios.

*USB output: +5V DC/1A, suitable for small devices like mobile phones, tablets, etc.

- **Factory reset:** switch off the fridge, long press  for three seconds until E1 displays, under E1 mode, long press **+ -** at the same time until the screen displays as below:



*Note: It is not recommended to change other E settings which are used for factory maintenance.

6. Cleaning and Storage

■ Cleaning:

- Unplug the device first to avoid electric shock.
- Use damp cloth to clean the device and dry it.
- Open drain at bottom to remove excess liquid.
- Do not soak the device in water and do not wash it directly.
- Do not use abrasive cleaning agents as these can damage the device.

■ Storage:

If the device will not be in use for a long time, please follow these steps:

- Turn off the power and remove the plug.
- Remove all the items stored in the device.
- Put the device in a cool and dry place.
- Leave the lid slightly open to prevent odors from forming.

■ Defrosting:

Humidity can form frost in the interior of the cooling device or on the evaporator, which will affect the cooling performance. Defrost the device regularly to avoid this.




- Switch off the device.
- Take out the contents of the device.
- Open drain in the bottom of fridge.
- Keep the lid open.
- Wipe off the defrosted water.



Never use hard or sharp tools to remove ice or to loosen objects which have frozen in place.

7.Troubleshooting

Issues	Suggestions
Refrigerator does not work	Check if the switch is on.
	Check if the plug and socket are connected well.
	Check if the fuse has been burnt.
	Verify the power supply is working.
	Switching on/off the fridge frequently may cause start delay of the compressor.
Refrigerator compartments are too warm	The door is opened frequently.
	A large amount of warm or hot food was stored recently. Wait for the refrigerator to reach its selected temperature.
	The refrigerator has been disconnected for a period of time.
Food is frozen	The temperature was set too low, please increase the temperature
There is a “water flow” noise from inside the fridge	This is normal caused by the flow of refrigerant.
There are waterdrops around the refrigerator casing or door gap	This is normal the moisture will condense to water when it touches a cold surface of the refrigerator.
The compressor is slightly noisy when starting	This is normal the noise will be reduced after the compressor works stably.
Code F1 displayed	Possible cause: low voltage to fridge. Adjust the battery protection from H to M or from M to L.
Code F2 displayed	Possible cause: condenser fan is overloaded. Disconnect power to fridge for 30 minutes & re-start.
Code F3 displayed	Possible cause: the compressor starts too frequently. Disconnect power to fridge for 30 minutes & re-start.
Code F4 displayed	Possible cause: compressor not kicking in. Disconnect power to fridge for 30 minutes & re-start.
Code F5 displayed	Possible cause: overheating of the compressor & electronics. Disconnect power to fridge for 30 minutes & re-start.
Code F6 displayed	Possible cause: no parameter can be detected by the controller. Disconnect power to fridge for 30 minutes & re-start.
Code F7 or F8 displayed	Possible cause: temperature sensor is faulty. Contact manufacturer for service.

Rated Voltage	DC 12V/24V, AC100~240V(using the adapter)	
Power Consumption	90W	
Capacity		95L/3.4Cu.Ft.
Noise Emission	≤45dB	
Climate Class	T/ST/N/SN	
Temperature Range	-20°C to +20°C (-4°F ~ +68°F)	
Dimensions (W*H*D)		528*465*896mm (20 3/4*18 1/4 *37 15/16 inch)
Weight		24kg/53lbs
Testing/ Certification	  	

*Due to product improvement, the technical information might be different from actual information, please refer to the rating label on the product.

■ Disposal:

Place the packaging material in the appropriate recycling waste bins wherever possible.



If you wish to finally dispose of the product, ask your local recycling center or specialist dealer for details about how to do this in accordance with the applicable disposal regulations.