



RENAULT
Passion for life

Renault MEGANE R.S. and R.S. Trophy





Overseas model shown



Designed trackside



Stylish design. Innovative technology.

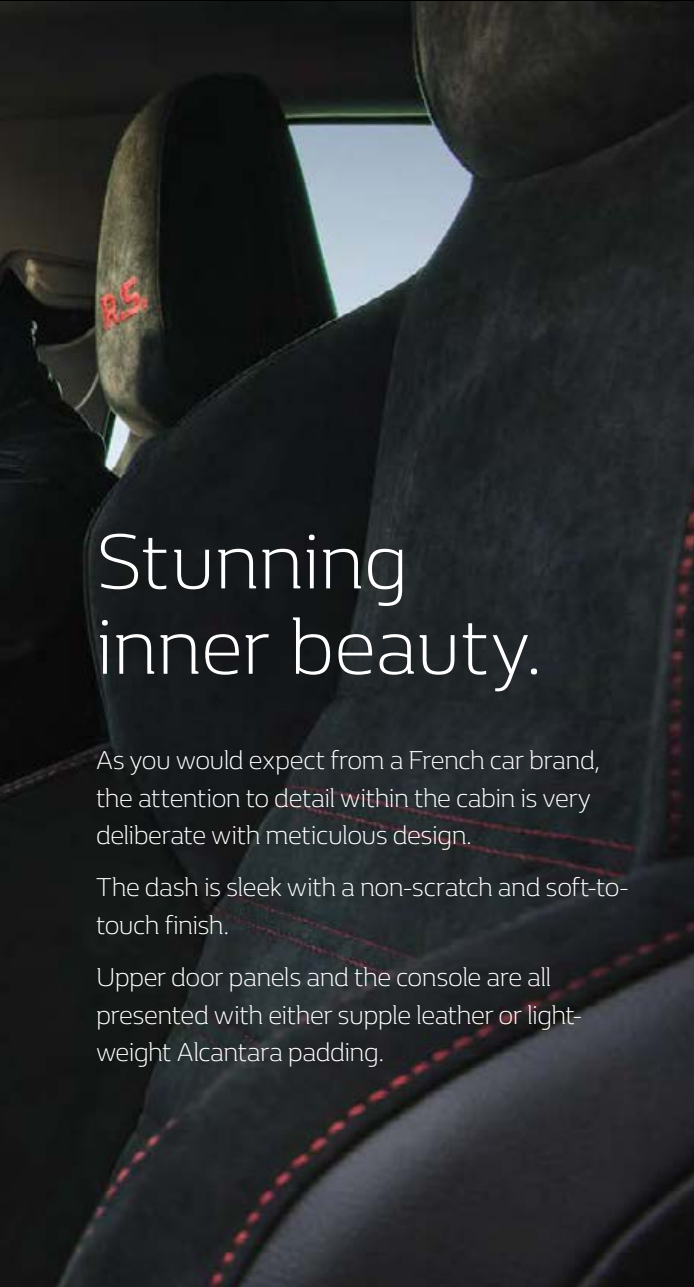
Combining French design and attention to detail with European technology, engineering and driving dynamics, Renault Megane R.S. brings the flair and performance this segment has been waiting for.

Renault Megane Hatch is a true driver's car that is just as happy performing your daily driving duties as it is on the track.









Stunning inner beauty.

As you would expect from a French car brand, the attention to detail within the cabin is very deliberate with meticulous design.

The dash is sleek with a non-scratch and soft-to-touch finish.

Upper door panels and the console are all presented with either supple leather or light-weight Alcantara padding.





MEGANE R.S.

New MEGANE R.S. TROPHY Always sportier

With a design developed to boost performance and reinforced by multiple references to the world of motorsports, New MEGANE R.S. TROPHY boasts a unique style. Connoisseurs will recognize its TROPHY stripping on the F1 blade and the specific design of the 19" Jerez triple-tone wheel rims, inspired by the Renault Sport R.S.01 concept. Its sportiness is highlighted by the Brembo® red brake callipers and may be emphasized with a choice of the iconic Liquid Yellow Signature metallic paint colour available on all Megane R.S. versions.





RENAULT SPORT
FORMULA ONE TEAM

Barcelona

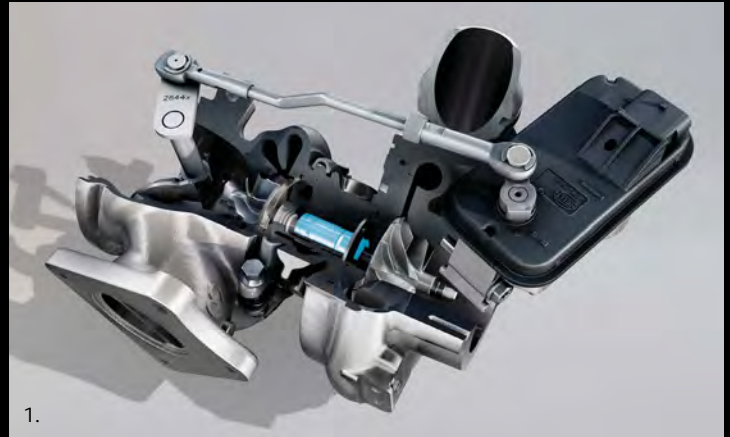
MEGANE R.S.

More power

Now with even greater performance and a sportier design, the newest Renault Megane R.S. 300 Trophy is offered with a choice of a manual or dual-clutch EDC gearbox, and equipped with an upgraded version of the 1.8-litre turbo-charged engine, where power is increased to 300hp through superior upgrades to the turbo and exhaust system.

1. The turbocharger's turbine is now mounted on a bearing on ceramic ball bearings, for a shorter response time. And for the first time, New Renault MEGANE R.S. TROPHY offers a choice between two transmissions: manual gearbox (400 Nm) and EDC gearbox (420 Nm).

2. The new dual sound exhaust valve system contributes to maximizing engine performance. A valve system – activated automatically depending on the driving mode selected via the MULTI-SENSE SYSTEM – offers a double sound. The position of the valve, the engine speed and load, provides two tones. When opened, the valve causes reduced flow resistance, enabling the gases to be routed along a more direct path. This allows the engine's sporty and acoustic potential to be fully expressed.



MEGANE R.S. performance

New Renault MEGANE R.S. and MEGANE R.S. TROPHY benefit from the know-how of Renault Sport who have adapted motorsports technologies to production sports vehicles. It features in-car equipment on a par with the best in class and a range of driving aids for any type of road and any situation.

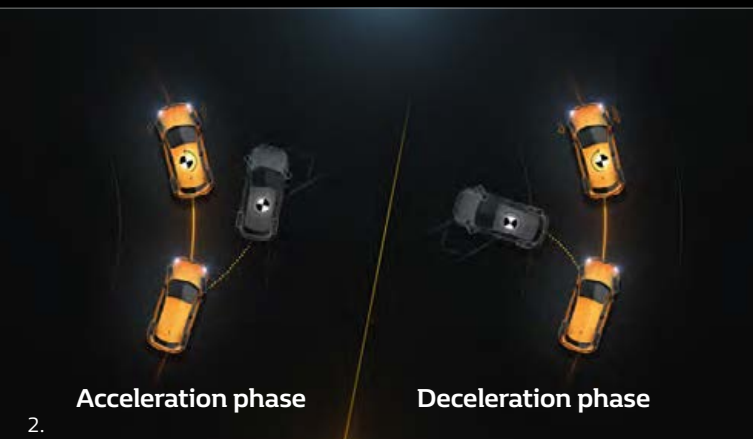
1. Suspension with hydraulic compression stops:

With the integration of four hydraulic compression stops, the shock absorbers absorb impact better. This technology delivers spectacular results in terms of progressive control, comfort and performance.

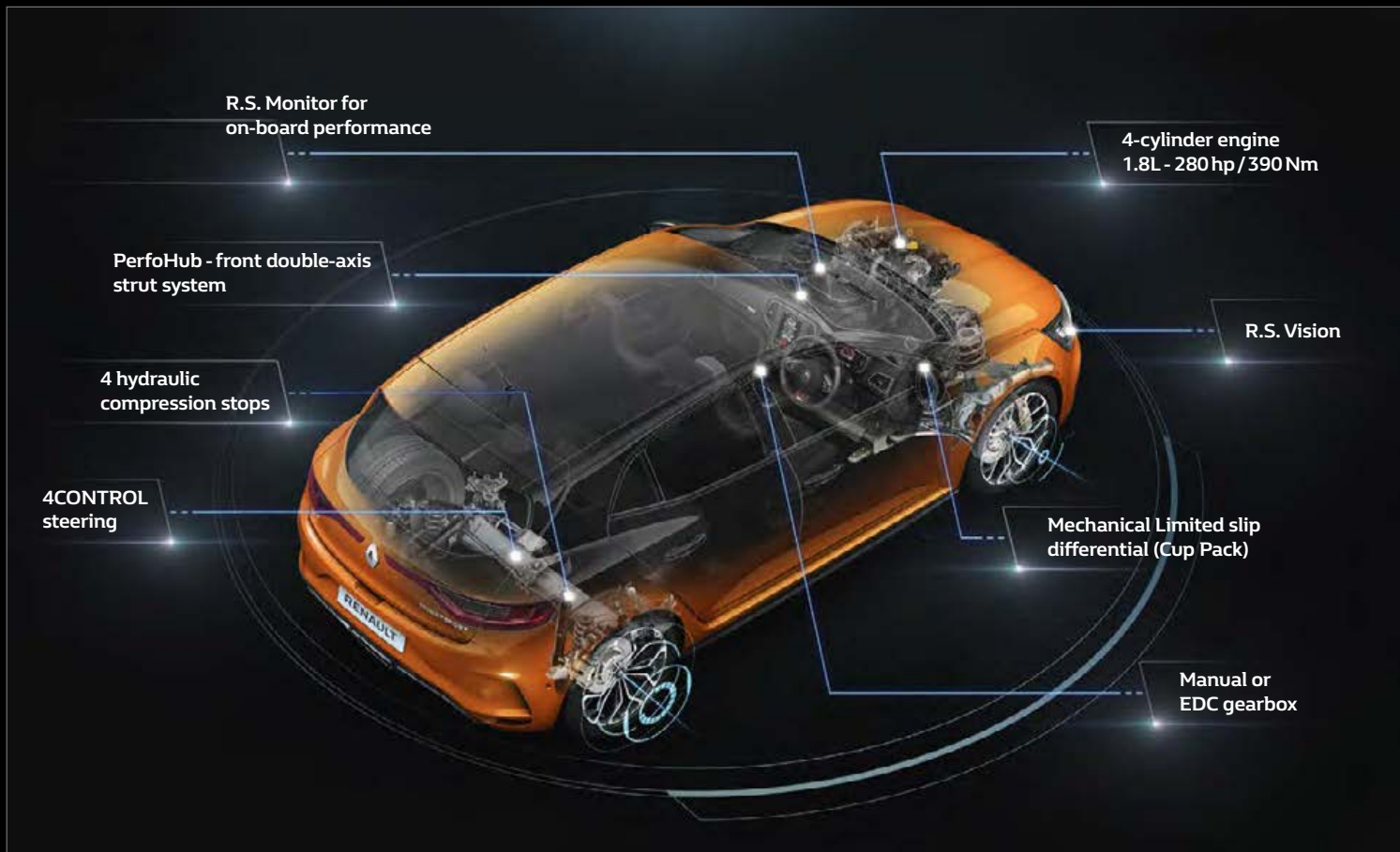
2. Torsen® limited slip differential: an asymmetrical transfer rate for acceleration and deceleration to improve acceleration power and cornering speed.



1.



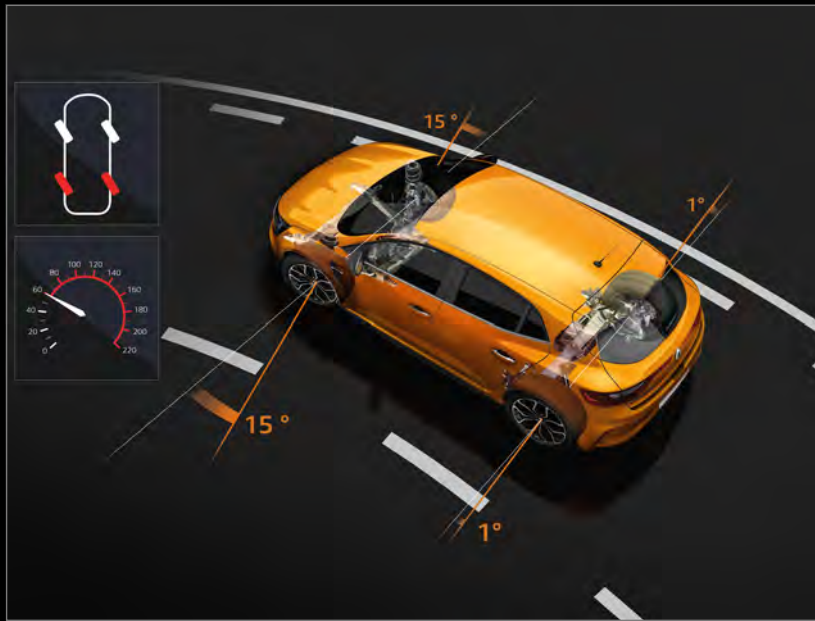
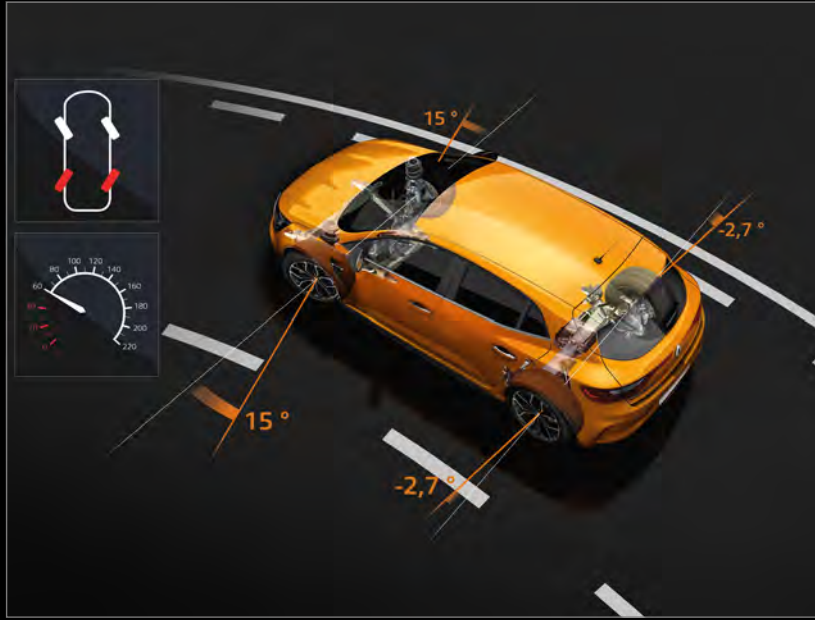
2.





Agility and Stability

4CONTROL, standard on the MEGANE R.S. and MEGANE R.S. TROPHY contributes to incisive steering and optimised roadholding for a precise, surefooted drive. At low speeds, the system turns the rear wheels in the opposite direction to the front wheels. At speeds of over 60kph, all four wheels turn in the same direction.

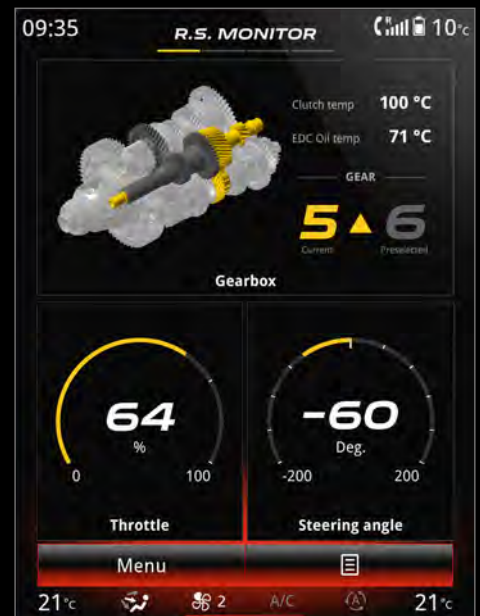
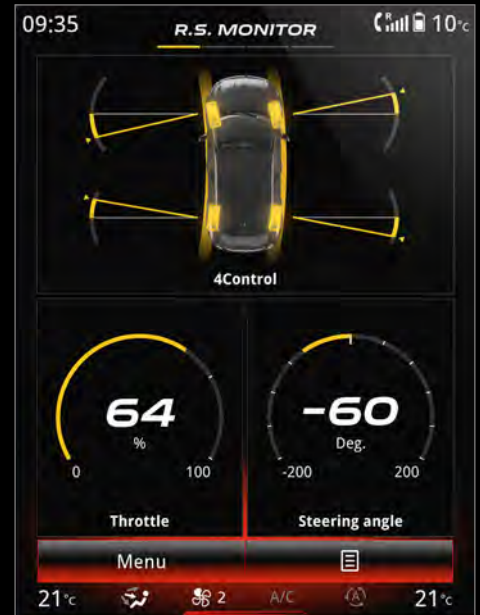






Real time telemetry

Your driving talents deserve to be recognised! The onboard R.S. Monitor stores your vehicle telemetry in real time on the 8.7" portrait touch screen. From the 4CONTROL wheel angle to recommended gear changes for maximum engine performance - the MEGANE R.S. and MEGANE R.S. TROPHY keep you ahead of the game.





Sporty and safe

With its many driving aids, Renault MEGANE R.S. and MEGANE R.S. TROPHY allies sporting performance with safety. It also features parking sensors, lane departure warning and emergency braking assistance.

1. LED daytime running lights with 3D Edge effect.

2. Blind Spot Warning: uses sensors on either side of the front and rear bumpers to warn you of a vehicle entering your blind spot.

3. Adaptive Cruise Control: Easily maintain the appropriate safe following distance between you and the vehicle in front. The adaptive cruise control is activated between speeds of 50 km/h and 140 km/h. The system applies the brakes when the distance is too short and the accelerator when the road is clear again.





Carlab

Chromo Zone Colours

Creative workshop Interior ambiance and upholstery

Wheels An assured style

Dimensions Volumes and dimensioned drawings

Specifications Engine

Equipment & Options Full list

Accessories Options that help you stand out from the crowd

Merchandise Convey a style anywhere you go

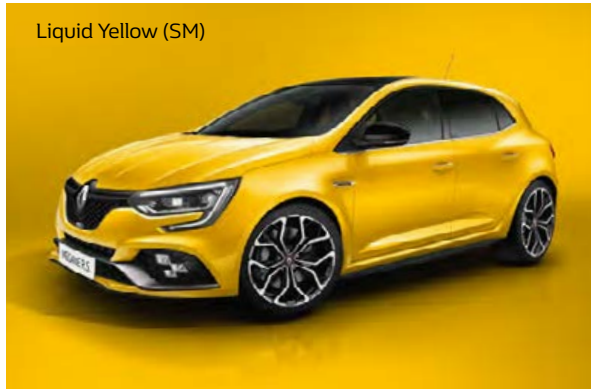
Colours

R.S.

Orange Tonic (SM)



Liquid Yellow (SM)



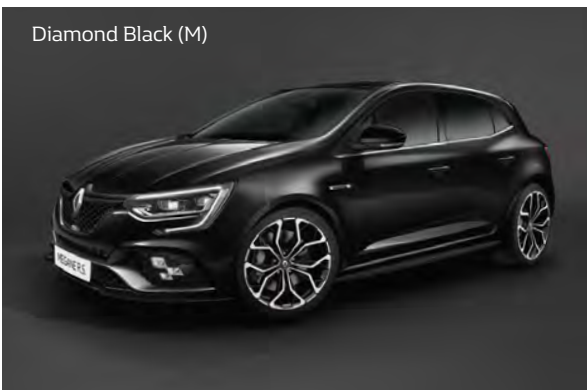
Pearl White (M)



Glacier White (S)



Diamond Black (M)



Standard features

SPORT



19" Interlagos Diamond-effect Black



Dark carbon R.S. fabric upholstery

Safety & Technology

- R.S. Enhanced braking system
- Sport chassis with 4 hydraulic compression stops
- Launch Control[^]

Entertainment

- DAB/AM/FM radio, MP3, AUX, 2 x USB
- Arkamys 3D Sound system with 8 speakers^{**}
- BOSE[®] Sound system[^]

Interior features

- Renault Sport front chrome door sill plates
- Aluminium pedal unit and footrest
- Dark carbon R.S. fabric upholstery with red contrast stitching^{**}
- Alcantara leather R.S. black upholstery with red contrast stitching[^]
- R.S. sports seats with integrated headrests
- Nappa leather steering wheel and gear knob with red stitching
- R.S. dashboard and doors moulding
- Steering column mounted paddle shifts[^]

Exterior features

- R.S. extended front wheel arches with air grilles
- R.S. extended rear wheel arches
- Diamond Black door mirrors
- Front bumper widened with F1 blade and honeycomb front grille with R.S. marking
- Rear bumper widened with functional diffuser and central exhaust
- R.S. sills/skirt with flat bottom effect
- R.S. rear spoiler
- Grey brake calipers
- 19" Interlagos Diamond-effect alloys
- R.S. VISION Full LED 3 function headlights (fog, cornering, long range)
- R.S. badge on rear

^{*}Bovine-sourced leather.

^{**} Manual only

[^] Auto only

CUP (SPORT+)



19" Interlagos Full Black



Alcantara upholstery

Technology

- Bi-material high performance brakes
- Renault Sport Cup Chassis, suspension and 4 hydraulic compression stops
- Mechanical Torsen® Limited Slip Differential
- Red brake Calipers
- 19" Interlagos Full Black alloys

TROPHY (CUP+)



19" Jerez wheel rims



Alcantara upholstery

Technology

- Active valve exhaust system
- DESS (Dual Energy Storage System) battery

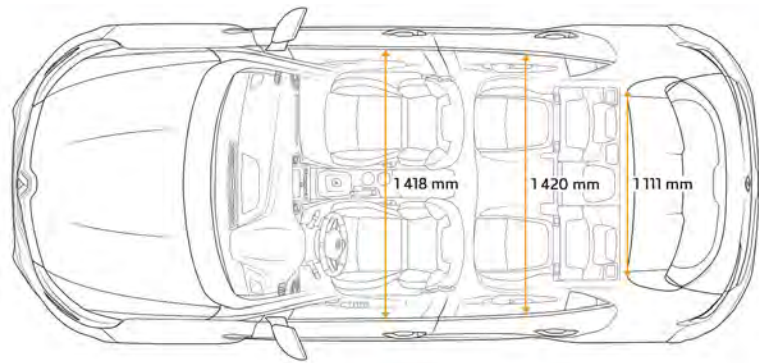
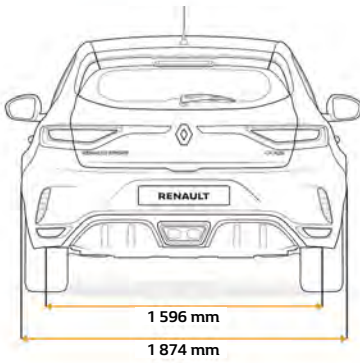
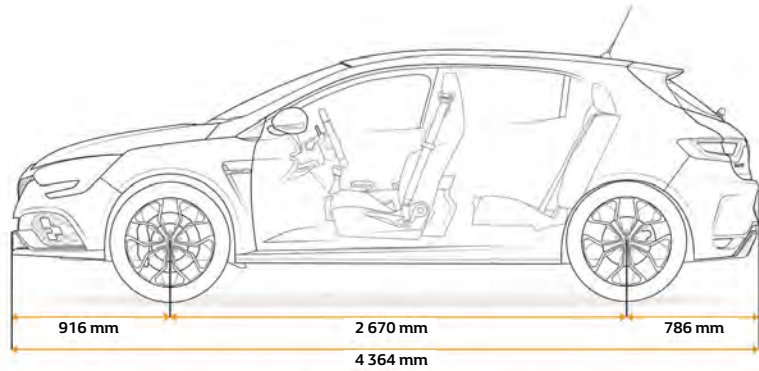
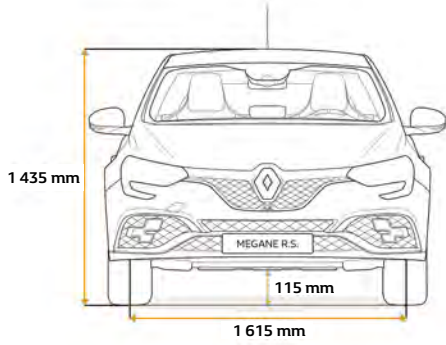
Interior features

- R.S. black & red leather & Alcantara steering wheel

Exterior features

- 19" Jerez wheel rims & Bridgestone Potenza S001 tyres
- Trophy signature under grille

Dimensions



Specifications

	R.S. 1.8L Turbo 280 Manual	R.S. 1.8L Turbo 280 Automatic	R.S. TROPHY 1.8L Turbo 300 Manual	R.S. TROPHY 1.8L Turbo 300 Automatic
Body type	Hatch			
Seating capacity	5			
ENGINES				
Capacity (cc)	1798			
No. of cylinders/valves	4/16			
Bore x stroke (mm)	79.7x90.1			
Max. power (kW (hp) @ rpm)	205 (280) @ 6000		221 (300) @ 6000	
Max. torque (Nm @ rpm)	390 @ 2400		400 @ 2400	420 @ 2400
Fuel type (minimum)	Premium Unleaded 98 RON			
Fuel injection type	Direct Turbo			
TRANSMISSION				
Gearbox type	Manual Gearbox	Dual clutch EDC automatic gearbox	Manual Gearbox	Dual clutch EDC automatic gearbox
Number of gears	6			
Speeds at 1000 rpm in: 1st gear	9.16	8.39	9.29	8.5
2nd gear	14.48	13.24	14.68	13.42
3rd gear	20.33	19.26	20.61	19.52
4th gear	27.48	26.35	27.86	26.71
5th gear	34.57	34.23	35.04	34.7
6th gear	41.84	41.85	42.41	42.42
WHEELS				
Tyres	245/35 R19			
BRAKING (MM)				
Front (ventilated disk)	Ventilated disc - 355 x 28	Ventilated disc - 355 x 28	Ventilated disc - 355 x 28	Ventilated disc - 355 x 28
Rear (regular disk)	Regular disc - 290 x 11	Regular disc - 290 x 11	Regular disc - 290 x 11	Regular disc - 290 x 11
FUEL CONSUMPTION[^]				
Emission standard	Euro 5			
Combined cycle (L/100km)	7.4	7.5	8.3	8
CO2 emissions (g/km)	168	169	187	182
Extra urban cycle (L/100km)	6.2	6.4	6.7	6.6
Urban cycle (L/100km)	9.5	9.2	10.9	10.5
CAPACITY (L)				
Fuel tank	50			
WEIGHTS (KG)				
Kerb weight (unladen)	1427	1450	1427	1450
VOLUME (L)				
Boot volume	434			
With rear seat bench folded down	1247			

[^]Vehicle tested in accordance with ADR 81/02 based on combined cycle (city/highway). Actual fuel consumption and CO₂ emissions depend on factors such as traffic conditions, vehicle condition and how you drive.

Equipment & options

	R.S. SPORT		R.S. CUP		R.S. TROPHY	
	MT	EDC	MT	EDC	MT	EDC
SAFETY AND SECURITY						
AIRBAGS						
Driver and passenger adaptive front airbags	•	•	•	•	•	•
Lateral pelvis and chest-level airbags for driver and front passenger	•	•	•	•	•	•
Front and rear curtain airbags	•	•	•	•	•	•
BRAKING						
Electronic Stability Control (ESC)	•	•	•	•	•	•
Anti-lock Braking System (ABS)	•	•	•	•	•	•
Emergency Brake Assist (EBA)	•	•	•	•	•	•
Electronic Brake-force Distribution (EBD)	•	•	•	•	•	•
Bi-material high performance brakes	-	-	•	•	•	•
R.S. Enhanced braking system	•	•	•	•	•	•
Hill Start Assist (HSA)	•	•	•	•	•	•
Parking brake	•	-	•	-	•	-
Electric parking brake	-	•	-	•	-	•
LIGHTING						
PURE VISION LED headlights	•	•	•	•	•	•
R.S. VISION - Multi-functional LED front lights	•	•	•	•	•	•
LED mirror indicator lights	•	•	•	•	•	•
Highway indicators - one tap 3-flash indication	•	•	•	•	•	•
Front and rear fog lights	•	•	•	•	•	•
Headlights with "see me home" function via key	•	•	•	•	•	•
PARKING AIDS						
Front parking sensors	•	•	•	•	•	•
Rear parking sensors	•	•	•	•	•	•
Side parking sensors	•	•	•	•	•	•
Rear view camera	•	•	•	•	•	•
Easy Park Assist - parking assistance system	•	•	•	•	•	•
SAFETY FEATURES						
Auto-door lock when driving	•	•	•	•	•	•
Automatic 'walk away' door locking	•	•	•	•	•	•
Tyre Repair Kit	•	•	•	•	•	•
ISOFIX child seat fixing points on rear outermost seats	•	•	•	•	•	•
Tyre pressure monitor	•	•	•	•	•	•
Seat belt warning	•	•	•	•	•	•
DRIVER SUPPORT SYSTEMS						
Cruise control with speed limiter	•	•	•	•	•	•
Advanced Emergency Braking System (AEBS) - Inter-urban	•	•	•	•	•	•
Lane departure warning system (LDW)	•	•	•	•	•	•
Distance warning (DW)	•	•	•	•	•	•
Adaptive Cruise Control (ACC)	•	•	•	•	•	•
Blind Spot Warning (BSW)	•	•	•	•	•	•
R.S. Drive	•	•	•	•	•	•
Renault Sport Sport chassis, suspension and 4 hydraulic compression stops	•	•	-	-	•	•
Renault Sport Cup chassis, suspension and 4 hydraulic compression stops	-	-	-	•	•	•
Steering column mounted paddle shifts	-	•	-	•	-	•
MULTI-SENSE - Personalised driver modes and interior ambience	•	•	•	•	•	•
4CONTROL - Four wheel steering system	•	•	•	•	•	•
Multi-downshift - advanced gear change down system	-	-	-	•	-	•
Mechanical Torsen © Limited Slip Differential	-	-	•	•	•	•
Launch Control	-	•	-	•	-	•
Active valve exhaust system	-	-	-	-	•	•
DESS (Dual Energy Storage System) battery	-	-	-	-	•	•
INTERIOR FEATURES						
COMFORT						
Engine start button	•	•	•	•	•	•
3 Height adjustable rear headrests	•	•	•	•	•	•
Split folding rear bench seat 60:40 with rear armrest and cup holders	•	•	•	•	•	•
Automatic windscreen wipers with rain sensor	•	•	•	•	•	•
Automatic dusk sensing headlights	•	•	•	•	•	•
Remote central locking with Renault Sport Smart Key Card	•	•	•	•	•	•
Dual zone climate control air conditioning with toxicity sensor and rear airvents.	•	•	•	•	•	•
One-touch front and rear electric windows with anti-pinch	•	•	•	•	•	•
Front and rear LED courtesy cabin lights	•	•	•	•	•	•
Sun visors with illuminated mirror	•	•	•	•	•	•

	R.S. SPORT		R.S. CUP		R.S. TROPHY	
	MT	EDC	MT	EDC	MT	EDC
Automatic dimming rear view mirror	●	●	●	●	●	●
Electric demisting door mirrors	●	●	●	●	●	●
Electric adjustable folding door mirrors	●	●	●	●	●	●
Heated front seats	●	●	●	●	●	●
Driver's seat with lumbar adjustment	●	●	●	●	●	●
Height adjustable driver's seat	●	●	●	●	●	●
Height adjustable passenger seat	●	●	●	●	●	●
ENTERTAINMENT						
12 volt socket - front and rear	●	●	●	●	●	●
R-LINK 2 - Navigation and multimedia system with custom home screens	●	●	●	●	●	●
Portrait 8.7" capacitive touchscreen, AUX, 2x USB, and fingertip controls	●	●	●	●	●	●
3D Sound by Arkamys with 8x speakers	●	-	-	-	-	-
BOSE® audio system with 9x speakers, subwoofer and digital amplifier	-	●	●	●	●	●
Bluetooth® phone pairing with audio streaming*	●	●	●	●	●	●
Instrument display with colour 7" TFT screen - with personalised design settings	●	●	●	●	●	●
Welcome sequence with lighting signature illumination and ground lighting upon approach	●	●	●	●	●	●
Smartphone Replication - Apple Carplay® and Android Auto®	●	●	●	●	●	●
R.S. Monitor	●	●	●	●	●	●
STYLING						
Front chrome "Renault Sport" door sill plates	●	●	●	●	●	●
Front centre storage console with sliding armrest	●	●	●	●	●	●
Aluminium accelerator and brake pedals	●	●	●	●	●	●
R.S. black & red embroidered fabric upholstery	●	-	-	-	-	-
R.S. black & red embroidered Alcantara upholstery	-	●	●	●	●	●
Front sports seats with integrated headrests	●	●	●	●	●	●
R.S. black & red embroidered nappa leather steering wheel	●	●	●	●	-	-
R.S. black & red leather & Alcantara leather steering wheel	-	-	-	-	●	●
Height and reach adjustable steering wheel	●	●	●	●	●	●
EXTERIOR DESIGN						
STYLING						
Gloss black honeycomb front grille	●	●	●	●	●	●
Front aerodynamic air guides	●	●	●	●	●	●
Renault Sport F1 blade with air intake	●	●	●	●	●	●
Grey brake calipers	●	●	-	-	-	-
Red brake calipers	-	-	●	●	●	●
Chrome exhaust tip	●	●	●	●	●	●
LED daytime running lights with 3D Edge effect	●	●	●	●	●	●
Rear LED daytime running lights with 3D Edge effect	●	●	●	●	●	●
19" Interlagos Diamond-Cut alloys	●	●	-	-	-	-
19" Black Interlagos Diamond-Cut alloys	-	-	●	●	-	-
19" Jerez wheel rims & Bridgestone Potenza S001 tyres	-	-	-	-	●	●
Chrome window trim	●	●	●	●	●	●
Black door mirrors	●	●	●	●	●	●
Rear privacy glass	●	●	●	●	●	●
Rear spoiler	●	●	●	●	●	●
R.S. badge on rear	●	●	●	●	●	●
Trophy signature under grille	-	-	-	-	●	●
OPTIONS						
Metallic paint	○	○	○	○	○	○
Signature Metallic Paint	○	○	○	○	○	○
Electric panoramic sunroof - Front opening, tilting, and sliding	-	○	○	○	○	○

● = standard; ○ = option; - = not available. *Bluetooth compatibility may vary depending on phone. Black headlining standard - Grey headlining with sunroof

Genuine Accessories

Megane R.S.



1. Shark Fin aerial. Add a sporty touch to your MEGANE R.S. with this aerial that is perfectly integrated with the lines of your vehicle.

2. Chrome mirror caps. Add a touch of style and personality to your vehicle with chrome mirror caps.

3. Premium R.S. Floor mats. A necessity for the MEGANE R.S., custom made for the vehicle, easily set in place using the two fastening clips without interfering with the pedals.

4. Customise your wheels even more! Add some style to your alloys with R.S. branded valve caps.

5. R.S. GOPRO Camera Support. Special R.S. dashmount for your GOPRO* camera.

*GOPRO not included

Overseas model shown



Renault Sport Merchandise

Discover a collection of items that are both unique and dedicated to Renault Sport and developed for living in the fast lane. Ask your Renault dealership for further information.



1. R.S. Jacket.

Custom R.S. technical jacket with ribbed cuffs, studded closure, waterproof and breathable membrane with warm insulation. Embroidered with Renault Sport logos.

2. R.S. Gym Bag.

Stylish and practical gym bag in woven grey material. Small inside mesh pocket and zipper. Comfortable soft handles with adjustable shoulder strap with padding.

3. R.S. T-Shirt.

Breathable crew neck design T-shirt.

4. R.S. FlexFit Flat Peak Cap.

FlexFit® flat peak caps available with Renault Sport logo.

4a. R.S. FlexFit Curved Peak Cap.

FlexFit® curved caps available with Renault Sport logo.



MEGANE R.S.

R.S.



Renault MEGANE Sport

Our quality. Your peace of mind.

When you choose a Renault, you enjoy years of worry-free motoring, backed by a trusted and reliable brand.



Comprehensive Warranty

Renault has been building and racing motor vehicles for more than 120 years, creating a legacy of invention, innovation and a competitive spirit that drives us to excel. The wealth of experience we've gained is reflected in the design, performance and quality of every vehicle we sell. We're so confident that your new Renault will provide you with many years of reliable and enjoyable driving that we're backing our quality promise with a comprehensive 5 years unlimited kilometre warranty.

24/7 Roadside Assistance

As a new Renault owner, you are backed by Renault's 24/7 Roadside Assistance for up to four years when you service your vehicle with Renault, regardless of how many kilometres you travel. Simply call 1800 009 008 and we'll provide the support you need. Available 24/7, 365 day a year, all across Australia.

Servicing

For easy budgeting, enjoy Capped Price Services for the first 3 scheduled maintenance services. Plus, to minimise disruption to your business, authorised Renault dealers also have low-cost loan vehicles available to use. Authorised Renault Dealers have Registered Renault Factory Trained Technicians (COTECHs) and only use genuine Renault parts, equipment and tools specially designed for your Renault. There is also a 1 year parts and labour guarantee on all repairs. With a clear, simple and transparent pricing structure for all servicing, Renault provide reassurance, when you need it most.



MEGANE R.S.




For more information
visit renault.com.au

B121.Q120.001

For more information, call 1800 009 008 or visit www.renault.com.au. Details are correct at the time of publication and are subject to change. Vehicles depicted in this brochure are overseas models and are shown for illustration purposes only; Australian vehicles may differ in features, specifications, equipment, accessories and/or colour. Vehicle Distributors Australia Pty Ltd reserves the right to discontinue or change its models at its discretion and without prior notice, including features, specifications, equipment, accessories available and colour. The colours in the photographs may vary from actual colours. Please consult your Renault dealer for the latest information on models, features, specifications, prices, options and availability.

Publication date – Jan 2020

Vehicle Distributors Australia Pty Ltd, Level 4, 10 Nexus Court, Mulgrave, VIC 3170

   renault.com.au