

Amarok V6 Darkside Special Edition.

Specifications MY2020.



Commercial
Vehicles



**Commercial
Vehicles**

Amarok V6 Darkside 4MOTION Specifications

MY20

Model	Code	Amarok V6 Darkside 190kW 580Nm TDI
Maximum Retail Price – 8-Speed Automatic Transmission		\$79,000 S6BC8ADS

Technical Data

Power (kW) @ rpm		190 @ 2,500 – 4,000
Power Max Incl. Overboost (kW)* @ rpm		200 @ 3,500 – 4,000
Torque (Nm) @ rpm		580 @ 1,400 – 3,000
Cylinders		6
Displacement in cm ³		2,967
Fuel Type - Diesel		•
Fuel Injection system – common rail direct injection		VTG-Turbo
Fuel tank capacity, approximate (litres)		80
Emission Standard		EU6
Ad Blue Tank Capacity (L)		13
Fuel consumption, combined, in L/100 km		8.6
Acceleration 0 – 100 km/h (s)		7.3
Drivetrain – 4MOTION four-wheel drive with Torsen Differential		Permanent
Spring load system - standard 2+1 leaf springs on ladder frame chassis (Increases tow limit, reduces GVM and payload for the cargo area)	1BA	•

Weights and Dimensions

Gross vehicle mass (kg) with 2+1 leaf springs	01E	2,920
Payload (kg, max) based on standard equipment (with 2+1 leaf springs)		702
Unladen weight (kg, min) based on standard equipment		2,218
Trailer load limit (kg). 12% gradient. 140kg down ball load. (Braked / Unbraked). (With standard 2+1 leaf springs)	EX0	3,500 / 750
Gross train weight (kg). 12% gradient		6,000

*Maximum Retail Price (MRP) includes 15% GST and doesn't include on-road costs. Figures provided are dependent on model and options fitted. Options fitted may affect the vehicle's unladen weight. All measurements are based on standard specification vehicles. The actual dimensions may differ from the stated values. A vehicle's actual payload (gross vehicle mass minus unladen weight) can only be determined by weighing the vehicle. Specifications are subject to change without notice. Fuel consumption tested in accordance with EC directive 1999/94/EC and based on NEDC procedure unless stated. Fuel consumption is measured on European specification cars and may vary depending on specification, road condition, tyres and driving behaviour. Overboost function works only under specific conditions. Please refer to Volkswagen NZ website for further information. Issued 16 January 2020.

Key: • (Standard) NCO (No Cost Option) - (Not available)

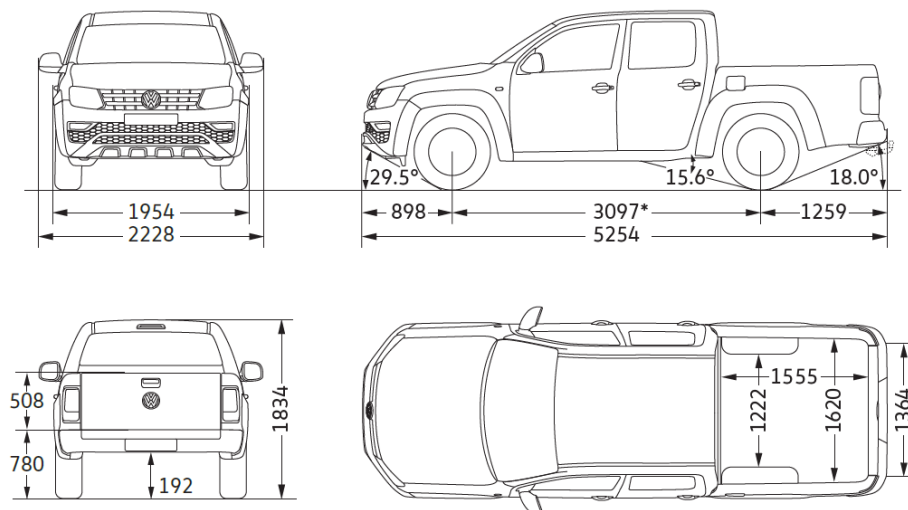


Commercial
Vehicles

Amarok V6 Darkside 4MOTION Specifications

MY20

Model	Code	Amarok V6 Darkside 190kW 580Nm TDI
-------	------	---------------------------------------



*This value applies for unladen weight. When loaded, the wheelbase is 3,090 mm.

Safety and Security

Airbags - driver & front passenger, with front passenger airbag deactivation	4UD	•
Airbags – side and curtain airbag for front passengers	4X3	•
Anti-dive ramp on all seat bases	***	•
2 Remote control folding keys	8QK	•
Anti-theft alarm system with interior monitoring, backup horn, towing protection, and all-door unlocking	7AS	•
Central locking system with radio remote control, interior release mechanism, and SAFELOCK	4K3	•
Anti-spin regulation (ABS/ASR) including Off-road ABS, along with electronic differential lock (EDL)	1AT	•
ESP (Electronic Stability Program) with hill start / descent assist and trailer stabilisation	1AT	•
332mm diameter disc brakes front and 300mm diameter disc brakes in the rear with EBD (electronic brake-force distribution)	2E4	•
LED Daytime running lights	8K3	•
5 x 3-point lap and diagonal seatbelts	***	•
Warning buzzer and light for driver seatbelt not fastened	9P1	•

*Maximum Retail Price (MRP) includes 15% GST and doesn't include on-road costs. Figures provided are dependent on model and options fitted. Options fitted may affect the vehicle's unladen weight. All measurements are based on standard specification vehicles. The actual dimensions may differ from the stated values. A vehicle's actual payload (gross vehicle mass minus unladen weight) can only be determined by weighing the vehicle. Specifications are subject to change without notice. Fuel consumption tested in accordance with EC directive 1999/94/EC and based on NEDC procedure unless stated. Fuel consumption is measured on European specification cars and may vary depending on specification, road condition, tyres and driving behaviour. Overboost function works only under specific conditions. Please refer to Volkswagen NZ website for further information. Issued 16 January 2020.

Key: • (Standard) NCO (No Cost Option) - (Not available)



**Commercial
Vehicles**

Amarok V6 Darkside 4MOTION Specifications

MY20

Model	Code	Amarok V6 Darkside 190kW 580Nm TDI
Wheels		
20" Talca Alloys in High-Gloss Black and 255/50 R20 109H tires	ZBE	•
Spare alloy wheel with original equipment tire	1G3	•
Functional Equipment		
Start-Stop system with regenerative braking	7L6	•
Servotronic (Speed-sensitive) power steering, height and longitudinally adjustable safety steering column	1N3	•
Climatronic two-zone automatic air-conditioning, with separate temperature control for driver and front passenger	KH4	•
Cruise control	8T1	•
Multi-function display Plus	9Q5	•
Washer fluid level indicator	8W1	•
Park distance control in front and rear with rear view camera system	7X8	•
Electric front and rear windows, with anti-trap function and electrically adjustable and heated side door mirrors	6XD / 4R1	•
Bi-Xenon headlights with LED daytime running lights	ZF5 / 8IH	•
Light & Vision – Rain sensor, auto lights, auto dimming interior mirror, coming home and leaving home function	ZL2	•
High-mounted centre stop lamp LED	8R7	•
Rear tray – 4 folding lashing eyes for load securing	6B4	•
Rear tailgate, lockable	3RQ	•
Tool kit and jack	1S1	•
Exterior Features		
Carbon Steel Grey Metallic Paint	1K1K	•
Colour coded front bumper, black door handles and black door mirrors. Black rear bumper with integrated step	2JF / ZBE	•
Matte black exterior mirror housings & black door handles	6FA / 6JA	•
Styling Bar "Plus" in High-Gloss Black, Black Nerf bars	YFH	•
Radiator Grille "Black Style"	ZBE	•
Front fog lights with cornering function	8WH	•
Front side windows in heat insulating glass and Privacy glass for rear passenger windows	QL5	•
Mud flaps, front and rear	6N2	•
Tow bar preparation	1D7	•

*Maximum Retail Price (MRP) includes 15% GST and doesn't include on-road costs. Figures provided are dependent on model and options fitted. Options fitted may affect the vehicle's unladen weight. All measurements are based on standard specification vehicles. The actual dimensions may differ from the stated values. A vehicle's actual payload (gross vehicle mass minus unladen weight) can only be determined by weighing the vehicle. Specifications are subject to change without notice. Fuel consumption tested in accordance with EC directive 1999/94/EC and based on NEDC procedure unless stated. Fuel consumption is measured on European specification cars and may vary depending on specification, road condition, tyres and driving behaviour. Overboost function works only under specific conditions. Please refer to Volkswagen NZ website for further information. Issued 16 January 2020.

Key: • (Standard) NCO (No Cost Option) - (Not available)



**Commercial
Vehicles**

Amarok V6 Darkside 4MOTION Specifications

MY20

Model	Code	Amarok V6 Darkside 190kW 580Nm TDI
Interior Features		
Leather-covered multi-function steering wheel, gear lever grip and hand brake handle	2ZH / 3HB	•
Decorative insert in dashboard in High-Gloss Black	5MN	•
Front centre armrest & storage console with upholstered cover	3D2	•
Sun visor, left and right, with vanity mirror and airbag warning label on front passenger side	5XR	•
Dark Interior Headlining	6NW	•
Floor covering – carpet	5BF / 5AD	•
Seat covering – Alcantara & bolsters in leather look	DM-N3R	•
Heated front driver and passenger seats, and heated washer nozzles	ZW1	•
Seats, comfort front seats with manual height adjustment, driver and passenger	3L3	•
Lumbar support for seats in 1 st row, manually adjustable	7P4	•
3 seat cinema-style bench seat. Elevated higher than front seats for increased visibility. 1/3 to 2/3 split folding (upwards) to provide extra storage space. Backrest folds down in one piece. Storage Compartment for small items behind the bench seat.	3UH	•
Storage compartments – up to 1.5L bottles in front door pockets and up to 1L bottles in rear door pockets, 2 cup holders in centre console	3D2	•
Storage compartments under front seats	QN4	•
4X 12-V Power Outlets	7B4	•
Multimedia		
Radio Composition Media, 6 speakers, 6.33-inch touch screen, Voice Enhancer & Voice Control, USB interface (incl. iPod/iPhone/ iPad-capable), and AUX-IN jack, App-Connect, Mobile phone interface	I7A / 8RL / QH1 UI4 / 9ZX	•
Warranty and Servicing		
5-year / 150,000 km mechanical warranty (whichever occurs first) & 5-year Volkswagen Roadside Assistance		•
6 year anti-corrosion warranty		•
Up to 20,000 km (or every one year) oil service intervals		•

*Maximum Retail Price (MRP) includes 15% GST and doesn't include on-road costs. Figures provided are dependent on model and options fitted. Options fitted may affect the vehicle's unladen weight. All measurements are based on standard specification vehicles. The actual dimensions may differ from the stated values. A vehicle's actual payload (gross vehicle mass minus unladen weight) can only be determined by weighing the vehicle. Specifications are subject to change without notice. Fuel consumption tested in accordance with EC directive 1999/94/EC and based on NEDC procedure unless stated. Fuel consumption is measured on European specification cars and may vary depending on specification, road condition, tyres and driving behaviour. Overboost function works only under specific conditions. Please refer to Volkswagen NZ website for further information. Issued 16 January 2020.

Key: • (Standard) NCO (No Cost Option) - (Not available)