

Transporter Van. Specifications & Options. MY2019.



Commercial
Vehicles





Commercial Vehicles

Transporter Van Specifications and Options

MY19

Model	Code	TDI 250Nm SWB Runner	TDI 340Nm SWB DSG Runner	TDI 340Nm SWB	TDI 340Nm LWB	TDI 400Nm SWB	TDI 400Nm LWB
Maximum Retail Price – 5-Speed Manual		\$45,000 SGA1A2					
Maximum Retail Price – 7-Speed DSG			\$51,000 SGA1B7	\$58,500 SGA1B73.0	\$61,500 SGH1B7		
Maximum Retail Price – 7-Speed DSG 4MOTION						\$66,500 SGA1C9	\$69,500 SGH1C9
Alternative Vehicle Configurations							
Engine Upgrade Package <ul style="list-style-type: none"> 150kW / 450Nm EU6 Twin Turbo engine with Start Stop & Ad Blue System Adaptive Cruise Control up to 160km/h + Autonomous Emergency Braking 	SG*1H* + PAD	-	-	\$7,000	\$7,000	\$5,000	\$5,000
Medium Roof in Candy White (2,176mm vehicle height)	ZD1	\$1,400	\$1,400	\$1,400	\$1,400	\$1,400	\$1,400
Medium Roof in Body Colour (2,176mm vehicle height)	ZD0	\$1,700	\$1,700	\$1,700	\$1,700	\$1,700	\$1,700
High Roof in Candy White (2,477mm vehicle height). Includes Rear Wing Doors. (N/A for 4MOTION DSG & Rear-View Camera. Right or Left Sliding Door must be removed)	ZD2	-	-	-	\$1,900	-	\$1,900
High Roof in Body Colour (2,477mm vehicle height). Includes Rear Wing Doors. (N/A for 4MOTION DSG & Rear-View Camera. Right or Left Sliding Door must be removed)	ZD6	-	-	-	\$2,200	-	\$2,200
Technical Data							
Power (kW) @ rpm		75 @ 3,500	103 @ 3,500	103 @ 3,500	103 @ 3,500	132 @ 4,000	132 @ 4,000
Torque (Nm) @ rpm		250 @ 1,500-2,500	340 @ 1,750-2,500	340 @ 1,750-2,500	340 @ 1,750-2,500	400 @ 1,500-2,000	400 @ 1,500-2,000
Engine Displacement		1,968cc	1,968cc	1,968cc	1,968cc	1,968cc	1,968cc
Cylinders		4 Cylinder, DOHC, 16 Valve	4 Cylinder, DOHC, 16 Valve	4 Cylinder, DOHC, 16 Valve	4 Cylinder, DOHC, 16 Valve	4 Cylinder, DOHC, 16 Valve	4 Cylinder, DOHC, 16 Valve
Fuel Type / tank capacity (L)		Diesel, 80	Diesel, 80	Diesel, 80	Diesel, 80	Diesel, 80	Diesel, 80
Fuel Injection system		Common rail direct injection	Common rail direct injection	Common rail direct injection	Common rail direct injection	Common rail direct injection	Common rail direct injection
Turbo Charging		Exhaust gas turbo charge	Exhaust gas turbo charge	Exhaust gas turbo charge	Exhaust gas turbo charge	Exhaust gas turbo charge	Exhaust gas turbo charge
Front Suspension - Independent McPherson struts, sub frame with coil springs and gas filled dampers.		•	•	•	•	•	•
Rear Suspension – Semi-trailing independent rear axle with coil springs and anti-roll bar		•	•	•	•	•	•
Rack and pinion power steering		•	•	•	•	•	•

*Maximum Retail Price (MRP) includes 15% GST and does not include on-road costs. Figures will change depending on model derivative and equipment fitted. Cover page is showing European Specification with NZ Options fitted. All measurements listed are based on standard specification vehicles. The actual dimensions may differ slightly from the values stated here. Equipment may affect the unladen weight. A vehicles' actual payload, which results from calculating the difference between the gross vehicle weight and the unladen weight, can only be determined by weighing the individual vehicle. Specifications are subject to change without notice. Fuel consumption tested in accordance with EC directive 1999/94/EC and based on NEDC procedure unless stated otherwise. The fuel consumption is measured on European specification cars and may vary depending on specification, road condition, tyres and driving behaviour. Please refer to brochure for further information. Issued 19 December 2018.

Key: • (Standard) NCO (No Cost Option) - (Not available)



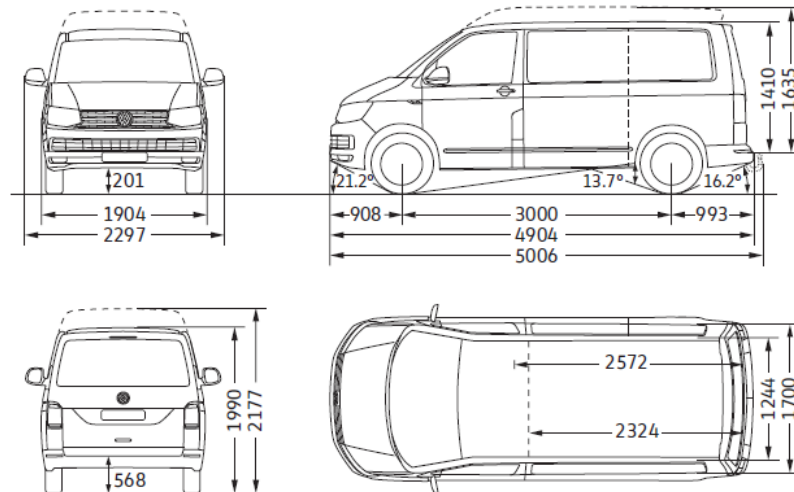
Commercial Vehicles

Transporter Van Specifications and Options

MY19

Model	Code	TDI 250Nm SWB Runner	TDI 340Nm SWB DSG Runner	TDI 340Nm SWB	TDI 340Nm LWB	TDI 400Nm SWB	TDI 400Nm LWB
Weights and Dimensions							
Gross vehicle mass - 2,800kg		•	•	-	-	-	-
Gross vehicle mass - 3,000kg	0WQ	-	-	•	•	•	•
Payload in kg; Manual (DSG) approx.		1,045	989	1,215 (1,189)	1,158 (1,133)	(1,154)	(1,097)
Payload in kg for 4MOTION; DSG approx.		-	-	-	-	1,050	993
Gross vehicle mass 3,200kg with harder springs and shocks (increased payload by approx. 200kg)	PG1	-	-	\$2,800	\$2,800	\$2,800	\$2,800
Trailer load limit (kg). Braked, 12% gradient / Un-braked		2,200 / 750	2,500 / 750	2,500 / 750	2,500 / 750	2,500 / 750	2,500 / 750

Transporter Delivery Van with short wheelbase and normal roof/medium high roof



load compartment, area (m ²)	4.3
load compartment, volume (m ³)	5.8/6.7
lateral sliding door, width x height (mm)	1,017 x 1,282
tailgate, width x height (mm)	1,473 x 1,299
turning circle (m)	11.9

*Maximum Retail Price (MRP) includes 15% GST and does not include on-road costs. Figures will change depending on model derivative and equipment fitted. Cover page is showing European Specification with NZ Options fitted. All measurements listed are based on standard specification vehicles. The actual dimensions may differ slightly from the values stated here. Equipment may affect the unladen weight. A vehicles' actual payload, which results from calculating the difference between the gross vehicle weight and the unladen weight, can only be determined by weighing the individual vehicle. Specifications are subject to change without notice. Fuel consumption tested in accordance with EC directive 1999/94/EC and based on NEDC procedure unless stated otherwise. The fuel consumption is measured on European specification cars and may vary depending on specification, road condition, tyres and driving behaviour. Please refer to brochure for further information. Issued 19 December 2018.

Key: • (Standard) NCO (No Cost Option) - (Not available)



Commercial Vehicles

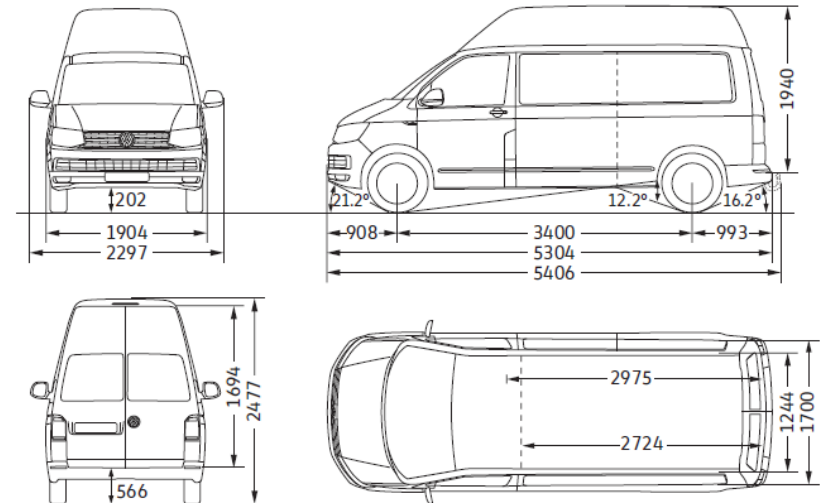
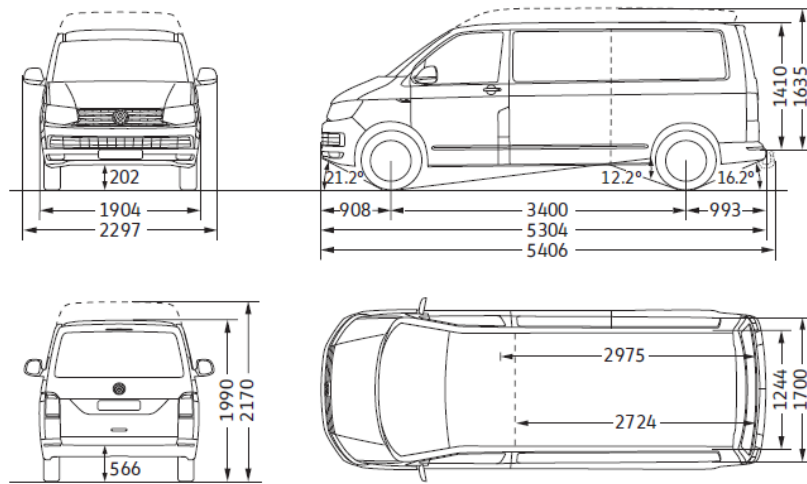
Transporter Van Specifications and Options

MY19

Model	Code	TDI 250Nm SWB	TDI 340Nm SWB DSG	TDI 340Nm SWB	TDI 340Nm SWB	TDI 400Nm SWB	TDI 400Nm SWB
-------	------	---------------	-------------------	---------------	---------------	---------------	---------------

Transporter Delivery Van with long wheelbase and normal roof/medium high roof

Transporter Delivery Van with long wheelbase and high roof



load compartment, area (m ²)	5.0
load compartment, volume (m ³)	6.7/7.8
lateral sliding door, width x height (mm)	1,017 x 1,282
tailgate, width x height (mm)	1,473 x 1,299
turning circle (m)	13.2

load compartment, area (m ²)	5.0
load compartment, volume (m ³)	9.3
lateral sliding door, width x height (mm)	1,017 x 1,282
high lateral sliding door (optional extra), width x height (mm)	1,017 x 1,734
rear wing doors, width x height (mm)	1,473 x 1,694
turning circle (m)	13.2

Fuel Consumption and Servicing

Fuel consumption – combined (L/100km), manual (DSG)	7.2*	(7.9)	7.4 (7.9)	7.4 (7.9)	(7.8)	(7.8)
---	------	-------	-----------	-----------	-------	-------

*Maximum Retail Price (MRP) includes 15% GST and does not include on-road costs. Figures will change depending on model derivative and equipment fitted. Cover page is showing European Specification with NZ Options fitted. All measurements listed are based on standard specification vehicles. The actual dimensions may differ slightly from the values stated here. Equipment may affect the unladen weight. A vehicles' actual payload, which results from calculating the difference between the gross vehicle weight and the unladen weight, can only be determined by weighing the individual vehicle. Specifications are subject to change without notice. Fuel consumption tested in accordance with EC directive 1999/94/EC and based on NEDC procedure unless stated otherwise. The fuel consumption is measured on European specification cars and may vary depending on specification, road condition, tyres and driving behaviour. Please refer to brochure for further information. Issued 19 December 2018.

Key: ● (Standard) NCO (No Cost Option) - (Not available)



Commercial
Vehicles

Transporter Van Specifications and Options

MY19

Model	Code	TDI 250Nm SWB Runner	TDI 340Nm SWB DSG Runner	TDI 340Nm SWB	TDI 340Nm LWB	TDI 400Nm SWB	TDI 400Nm LWB
CO2 emission – combined (g/km), manual (DSG)		190	(208)	195 (208)	195 (208)	(205)	(205)
Up to 40,000km (or every two years) oil service intervals		•	•	•	•	•	•
Safety and Security							
Airbags, for driver and front passenger (with passenger airbag deactivation)	4UF	•	•	•	•	•	•
Airbags, driver and front passenger head and thorax (not available with bench seat)	4X3	\$750	\$750	\$750	\$750	\$750	\$750
Anti-theft alarm system with interior monitoring in cab, backup horn, and towing protection	7AQ	-	-	•	•	•	•
2 Remote control folding keys	8QJ	•	•	•	•	•	•
Multi-collision braking	1AK	•	•	•	•	•	•
Central locking system with interior release mechanism, SAFELOCK and radio remote control	4K3 (ZE3)	•	•	•	•	•	•
Daytime driving lights	8K1	•	•	•	•	•	•
ESP (Electronic Stability Program) with hill hold function	1AK	•	•	•	•	•	•
ASR & Brake assist system	1AK	•	•	•	•	•	•
Power steering with safety steering column (adjustable in height and length)	1N1	•	•	•	•	•	•
Servotronic (speed sensitive power steering) and longitudinally adjustable safety steering column	1N3	\$849	\$849	\$849	\$849	\$849	\$849
Vented disc brakes with ABS (anti-lock brake system)		•	•	•	•	•	•
3-point automatic seat belts in cab with height adjust, belt tensioners and belt reminder warning		•	•	•	•	•	•
Wheels and Suspension							
Steel wheels, 16" with 205/65 tyres	2E3	•	•	•	•	-	-
Steel wheels, 17" with 235/55 tyres	2E4	-	-	-	-	•	•
Alloy wheels, 16" Clayton alloys with 205/65 tyres	Z3E	\$1,200	\$1,200	\$1,200	\$1,200	-	-
Alloy wheels, 17" Devonport alloys with 235/55 tyres	Z3F	\$2,800	\$2,800	\$2,800	\$2,800	\$2,800	\$2,800
Full size light steel spare wheel with original equipment tyre.	1G2	•	•	•	•	•	•
Suspension – Heavy duty stabilisers front and rear. Lower lateral tilt of vehicle/ increased roll resistance, reduced side wind sensitivity. Only for vehicles with 3,000kg GVM	2MF	-	-	\$600	\$600	\$600	\$600
Suspension – reinforced rear. For loading of rear axle up to max. axle load. Only for vehicles with 3,000kg GVM	2MK	-	-	\$400	\$400	\$400	\$400
Functional Equipment							

*Maximum Retail Price (MRP) includes 15% GST and does not include on-road costs. Figures will change depending on model derivative and equipment fitted. Cover page is showing European Specification with NZ Options fitted. All measurements listed are based on standard specification vehicles. The actual dimensions may differ slightly from the values stated here. Equipment may affect the unladen weight. A vehicles' actual payload, which results from calculating the difference between the gross vehicle weight and the unladen weight, can only be determined by weighing the individual vehicle. Specifications are subject to change without notice. Fuel consumption tested in accordance with EC directive 1999/94/EC and based on NEDC procedure unless stated otherwise. The fuel consumption is measured on European specification cars and may vary depending on specification, road condition, tyres and driving behaviour. Please refer to brochure for further information. Issued 19 December 2018.

Key: • (Standard) NCO (No Cost Option) - (Not available)



Commercial
Vehicles

Transporter Van Specifications and Options

MY19

Model	Code	TDI 250Nm SWB Runner	TDI 340Nm SWB DSG Runner	TDI 340Nm SWB	TDI 340Nm LWB	TDI 400Nm SWB	TDI 400Nm LWB
LED headlamps and tail lamps with separate LED daytime running lights incl. automatic headlight-range adjustment dynamic (self-adjusting while driving), dimmable dash illumination and headlamp washer system with heated washer nozzles in front and washer fluid level indicator	PXE	\$2,500	\$2,500	\$2,500	\$2,500	\$2,500	\$2,500
Light and Sight Package – Rain sensor, auto lights, auto dimming interior mirror, coming home and leaving home function	P4A	\$400	\$400	\$400	\$400	\$400	\$400
Climatic semi-automatic air-conditioning system in cab	9AP/KK1	•	•	•	•	•	•
Cruise control	8T1	-	-	•	•	•	•
Leather-wrapped multi-function steering wheel with radio and cell phone controls	ZE7	•	•	•	•	•	•
Dash mounted gearshift lever	ZE7	•	•	•	•	•	•
Electric front windows, with anti-trap function and electrically adjustable/heated side door mirrors	ZE8	•	•	•	•	•	•
Front side windows in heat-insulating glass, rear side windows and rear window in privacy glass	QL5	\$700	\$700	\$700	\$700	\$700	\$700
Instrument cluster – digital clock, gear display, odometer, trip odometer, speedometer, consumption, fuel gauge, temp gauge for coolant	ZEN	•	•	•	•	•	•
Mechanical differential lock, on rear axle (available on 4MOTION only)	1Y4	-	-	\$1,500	\$1,500	\$1,500	\$1,500
Multi-function display, 'Plus'; shows route time, average speed, actual speed, oil temp, speed warning, travel time, actual fuel consumption, average fuel consumption and range	ZEN	•	•	•	•	•	•
Front and rear park distance control with rear-view camera system	7X8	•	•	•	•	•	•
Sliding side doors in the rear compartment, left and right	5R2/5Q2	•	•	•	•	•	•
Steering wheel with height and reach adjustment	1N1	•	•	•	•	•	•
Without windows (closed side panel) in load compartment in front and rear, left	4FA	•	•	NCO	NCO	NCO	NCO
Windows – fixed, front left and right in the rear compartment's sliding doors	4FT + 4JT	Not available. Local fitment only	Not available. Local fitment only	•	•	•	•
Window – sliding, front left side the rear compartment sliding door	4FU	\$700	\$700	\$700	\$700	\$700	\$700
Window – sliding, front right side the rear compartment sliding door	4JU	\$700	\$700	\$700	\$700	\$700	\$700
Windows – fixed, rear left and right in load compartment		Not available. Local fitment only	Not available. Local fitment only	Not available. Local fitment only	Not available. Local fitment only	Not available. Local fitment only	Not available. Local fitment only
Windshield wiper, two speed, with variable intermittent control	8N1	•	•	•	•	•	•
Grey Bumpers	2JB	•	•	•	•	•	•
Colour coded bumpers, front and rear with body coloured mirror housings and door handles	PL4	\$1,300	\$1,300	\$1,300	\$1,300	\$1,300	\$1,300
Front fog lights and cornering lamp	8WH	\$650	\$650	\$650	\$650	\$650	\$650
Mud flaps, front and rear	6N2	\$350	\$350	\$350	\$350	\$350	\$350

*Maximum Retail Price (MRP) includes 15% GST and does not include on-road costs. Figures will change depending on model derivative and equipment fitted. Cover page is showing European Specification with NZ Options fitted. All measurements listed are based on standard specification vehicles. The actual dimensions may differ slightly from the values stated here. Equipment may affect the unladen weight. A vehicles' actual payload, which results from calculating the difference between the gross vehicle weight and the unladen weight, can only be determined by weighing the individual vehicle. Specifications are subject to change without notice. Fuel consumption tested in accordance with EC directive 1999/94/EC and based on NEDC procedure unless stated otherwise. The fuel consumption is measured on European specification cars and may vary depending on specification, road condition, tyres and driving behaviour. Please refer to brochure for further information. Issued 19 December 2018.

Key: • (Standard) NCO (No Cost Option) - (Not available)



Commercial
Vehicles

Transporter Van Specifications and Options

MY19

Model	Code	TDI 250Nm SWB Runner	TDI 340Nm SWB DSG Runner	TDI 340Nm SWB	TDI 340Nm LWB	TDI 400Nm SWB	TDI 400Nm LWB
LED number plate lighting		•	•	•	•	•	•
Paint – metallic or pearl effect		\$1,600	\$1,600	\$1,600	\$1,600	\$1,600	\$1,600
Rear tailgate with heated window, includes wiper and washer system and dimming breakaway interior rear-view mirror. Not possible with High Roof	ZH7/4HS	•	•	•	•	•	•
Rear wing doors (removes reverse camera) standard with High Roof	ZH1	\$600	\$600	\$600	\$600	\$600	\$600
Trailer hitch preparation	1D7	•	•	•	•	•	•
Interior Features							
Comfort Package (dimnable dash, two-tone horn, dual vanity mirrors, sunglasses holder, additional noise insulation in the cab, grab handle on passenger A pillar, two interior spot lights and plug socket in front)	ZA9 -6DE	\$550	\$550	\$550	\$550	\$550	\$550
Floor covering in load compartment - rubber	ZU2	-	-	•	•	•	•
Multi-purpose wood floor covering in the load compartment, with loading edge protection in rear	ZU0	-	-	\$390	\$390	\$390	\$390
Lashing eyes, folding, in the load compartment. (6 for SWB, 8 for LWB)	6B1	•	•	•	•	•	•
2 additional lashing rings for load restraint system	6B4	NCO	NCO	NCO	NCO	NCO	NCO
Partition – full height with fixed window, incl. 2 additional floor lashing eyes	ZZ3	\$700	\$700	\$700	\$700	\$700	\$700
Roof interior trim in cab as comfort moulded headlining.	5CL	•	•	•	•	•	•
Roof interior trim in load compartment – hardboard. Standard roof height models only	5CL	•	•	•	•	•	•
Driver seat with height adjust and lumbar support	3L2	-	-	•	•	•	•
Front passenger single seat	3TH	•	•	NCO	NCO	NCO	NCO
Front passenger bench seat in cab	3TJ	\$500	\$500	•	•	•	•
Front passenger bench seat with storage compartment	3TS	-	-	\$200	\$200	\$200	\$200
Seat covering – ‘Austin’ Titanium Black / Moon Rock cloth upholstery	JG + N1L	•	•	•	•	•	•
Seat covering – Leatherette “Mesh”	JG + N2Q	NCO	NCO	NCO	NCO	NCO	NCO
Seat covering – Robust Grey Cloth	TG + N0R	\$250	\$250	\$250	\$250	\$250	\$250
Side panel trim in load compartment – hardboard trim lower half height	5DV	•	•	•	•	•	•
LED luggage compartment lighting	9CB	\$250	\$250	\$250	\$250	\$250	\$250
Arm rests for driver’s seat	4S3	\$195	\$195	\$195	\$195	\$195	\$195

*Maximum Retail Price (MRP) includes 15% GST and does not include on-road costs. Figures will change depending on model derivative and equipment fitted. Cover page is showing European Specification with NZ Options fitted. All measurements listed are based on standard specification vehicles. The actual dimensions may differ slightly from the values stated here. Equipment may affect the unladen weight. A vehicles’ actual payload, which results from calculating the difference between the gross vehicle weight and the unladen weight, can only be determined by weighing the individual vehicle. Specifications are subject to change without notice. Fuel consumption tested in accordance with EC directive 1999/94/EC and based on NEDC procedure unless stated otherwise. The fuel consumption is measured on European specification cars and may vary depending on specification, road condition, tyres and driving behaviour. Please refer to brochure for further information. Issued 19 December 2018.

Key: • (Standard) NCO (No Cost Option) - (Not available)



Commercial
Vehicles

Transporter Van Specifications and Options

MY19

Model	Code	TDI 250Nm SWB Runner	TDI 340Nm SWB DSG Runner	TDI 340Nm SWB	TDI 340Nm LWB	TDI 400Nm SWB	TDI 400Nm LWB
Multimedia							
Provision for mobile phone with Bluetooth (Hands Free Profile)	9ZX	•	•	•	•	•	•
Radio "Composition Colour" with 5" TFT colour touchscreen display with MP3 compatible CD player, 4 loud speakers, SD card slot, USB port and AUX-IN socket	Z14	•	•	-	-	-	-
Radio "Composition Media with 6.33" TFT colour touchscreen display with MP3 compatible CD player, 4 loud speakers, SD card slot, USB port and AUX-IN socket	Z16	-	-	•	•	•	•
Radio "Discover Media" with 6.33" TFT colour touchscreen display, Navigation with maps stored on SD card, MP3 compatible CD player, 4 loud speakers, 2 x SD card slots, USB port, AUX-IN socket, Connectivity package including 1 year Mapcare	Z17 77T	-	-	\$1,050	\$1,050	\$1,050	\$1,050
App-Connect (Displays and controls smart phone via touchscreen) only with Composition Media or Discover Media	9WT	-	-	•	•	•	•
Warranty							
3 year / 100,000 km mechanical warranty		•	•	•	•	•	•
3 year paint warranty		•	•	•	•	•	•
12 year anti-corrosion warranty		•	•	•	•	•	•
3 year Volkswagen Roadside Assistance		•	•	•	•	•	•

*Maximum Retail Price (MRP) includes 15% GST and does not include on-road costs. Figures will change depending on model derivative and equipment fitted. Cover page is showing European Specification with NZ Options fitted. All measurements listed are based on standard specification vehicles. The actual dimensions may differ slightly from the values stated here. Equipment may affect the unladen weight. A vehicles' actual payload, which results from calculating the difference between the gross vehicle weight and the unladen weight, can only be determined by weighing the individual vehicle. Specifications are subject to change without notice. Fuel consumption tested in accordance with EC directive 1999/94/EC and based on NEDC procedure unless stated otherwise. The fuel consumption is measured on European specification cars and may vary depending on specification, road condition, tyres and driving behaviour. Please refer to brochure for further information. Issued 19 December 2018.

Key: • (Standard) NCO (No Cost Option) - (Not available)