

**SNAPPY**

LED POWER SUPPLY DATASHEET

SNP40-24VF

·DESCRIPTION

High Cost Performance,SELV. Open circuit, short circuit,overload protection.Compliance to ERP directive,lifetime 30,000hrs.



·Input

Items	Conditions	Request	Note	
Input voltage	Ta	200-240Vac	--	
Input frequency		50/60Hz	--	
Input current	25°C, rated input voltage, output with max. rated power	<0.3A	--	
Input power		<48W	--	
Efficiency		≥85%	--	
Standby		25°C, rated input voltage, output without load	<0.5W	average
Inrush current		25°C, rated input voltage	<70A	peak
PF	25°C, rated input voltage, output max. rated power	≥0.90	--	

·Temperate and others

Items	Conditions	Request	Note
Operation temp.	--	-20~45°C	--
Relative humidity	--	45%-85%	--
Max. case temp.	--	80°C	--
Lifetime	Max.Ta,rated input voltage,output with max.rated power	30,000hr	--
Working noise	25°C, rated input voltage, output with rated power, mute box background noise<35dB, pickup 10cm distance from products	Yes	--

·Protection

Item	Conditions	Request	Note
Open circuit	Ta, rated input voltage, no load	yes	--
Over load	Ta, 0.94-1.06 times of input voltage, 1.6 times of rated power	yes	--
Short circuit	Ta, 0.94-1.06 times of input voltage	yes	--
Over temperature	Ta, 0.94-1.06 times of input voltage, temperature detected point more than 115 degree	yes	--
Over voltage	Ta, 0.94-1.06 times of input voltage,output voltage is 1.5 times of rated one	--	--
Auto recovery	Over load,short circuit revocation	yes	--
Latch off	Over temperature re-start after cut off	--	--

·Output

Items	Conditions	Request	Note
Startup time	25°C, rated input voltage, output with max. rated power	<0.5s	--
Output voltage and precision	Ta, rated input voltage, output with rated power	24V±5%	--
Output current range	Ta, rated input voltage	0-1.67A	
Output voltage wave	25°C, rated input voltage, output with max. rated power	120mV	Vp-p
Output overload	25°C, rated input voltage, output with twice LED load	yes	--
Output current and precision	Ta, rated input voltage, output with rated power	--	--
Rated output voltage range	Ta, rated input voltage	--	--
Output current wave	25°C, rated input voltage, output with max. rated power	--	Ip-p
Dimming mode	CV Dimming	--	--
Dimming range	0-100%	--	--

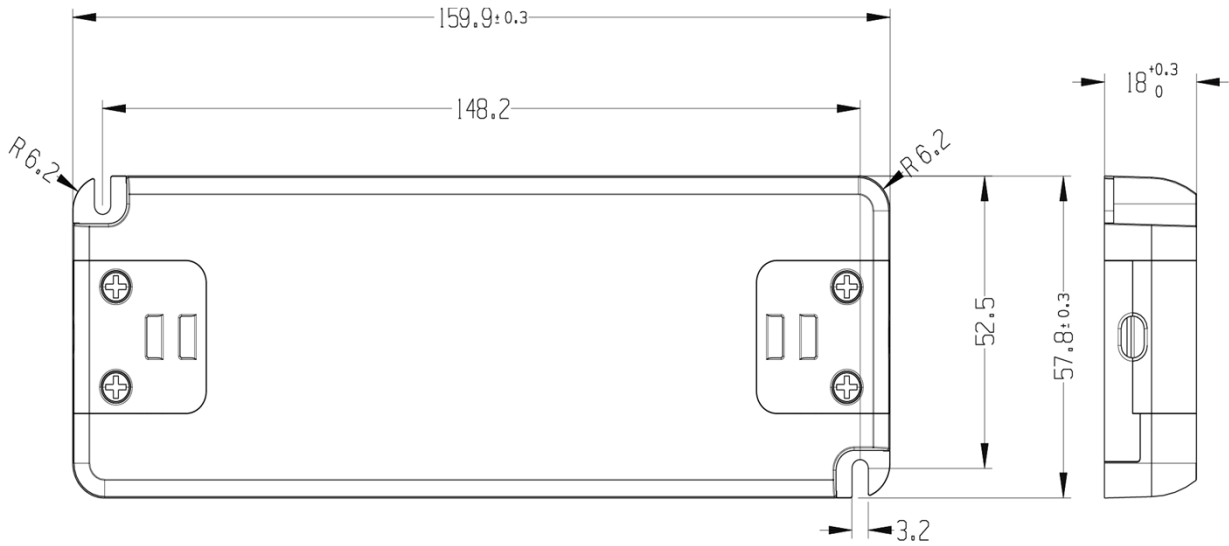
·Mechanical, mounting

Items	Conditions
Case material and size	Plastic 160mmx58mmx18mm
Mounting ways	Independent
Insulation type	Class II
IP grade	IP20
Input cables dimension	H03VVH2-F 2x0.75mm ²
Output cables dimension	H03VVH2-F 2x0.75mm ²
Output cables length	Max. 2000mm

·Standard

Items	Conditions
Safety	IEC61347-1, IEC61347-2-13
Harmonic	IEC61000-3-2
EMI	IEC55015
EMS	IEC61547

● **Dimensions(mm)**



● **Wiring Diagram**

