

LED POWER SUPPLY DATASHEET



SNP20-12VF

.Description

With high performance ,Short circuit,and Over load protection . Class II, Lifetime 30,000hrs.

.Input

Items	Conditions	Request	Note
Input voltage	Ta	200-240Vac	--
Input frequency		50Hz	--
Input current	25°C ,rated input voltage, output with max. rated power	< 0.3A	--
Input power		<24.5W	--
efficiency		≥ 82%	--
Standby		25°C ,rated input voltage, output without load	<0.5W
Inrush current	25°C ,rated input voltage	<70A	peak
PF	25°C ,rated input voltage, output max. rated power	≥0.5	--

.Temperate and others

Item	Conditions	Request	Note
Operation temp.	--	-20-45°C	--
Relative humidity	--	45%-85%	--
Max. case temp.	--	80°C	<90°C
Lifetime	Max.Ta,rated input voltage,output with max.rated power	30,000hr	--
Working noise	25°C ,rated input voltage,output with rated power ,mute box background noise<35dB,pickup 10cm distance from products	--	--

.Protection

Items	Conditions	Request	Note
Open circuit	Ta, rated input voltage, no load	--	--
Over load	Ta ,0.94-1.06 times of input voltage, 1.4 times of rated power	Yes	--
Short circuit	Ta ,0.94-1.06 times of input voltage	Yes	--
Over temperature	Ta ,0.94-1.06 times of input voltage, temperature detected pointed more than 115 degree	--	--
Over voltage	Ta ,0.94-1.06 times of input voltage,output voltage is 1.5 times of rated one	--	--
Auto recovery	Over load, short circuit revocation	Yes	--
Latch off	over heat re-start after cut off	--	--

.Output

Items	Conditions	Request	Note
Startup time	25°C, rated input voltage,output with max. rated power	<2S	--
Output voltage and precisio	Ta , rated input voltage, output with rated power	12V±5%	<13V
Output current range	Ta ,rated input voltage	0-1.67A	--
Output voltage wave	25°C, rated input voltage,output with max. rated power	<240mV	Vp-p
Output overload	25°C ,rated input voltage,output with 1.4 times LED load	YES	--
Output current and precisio	Ta , rated input voltage, output with rated power	--	--
Rated output voltage range	Ta , rated input voltage,	--	--
Output current wave	25°C, rated input voltage,output with max. rated power	--	Ip-p
Dimming mode	--	--	--
Dimming range	--	--	--

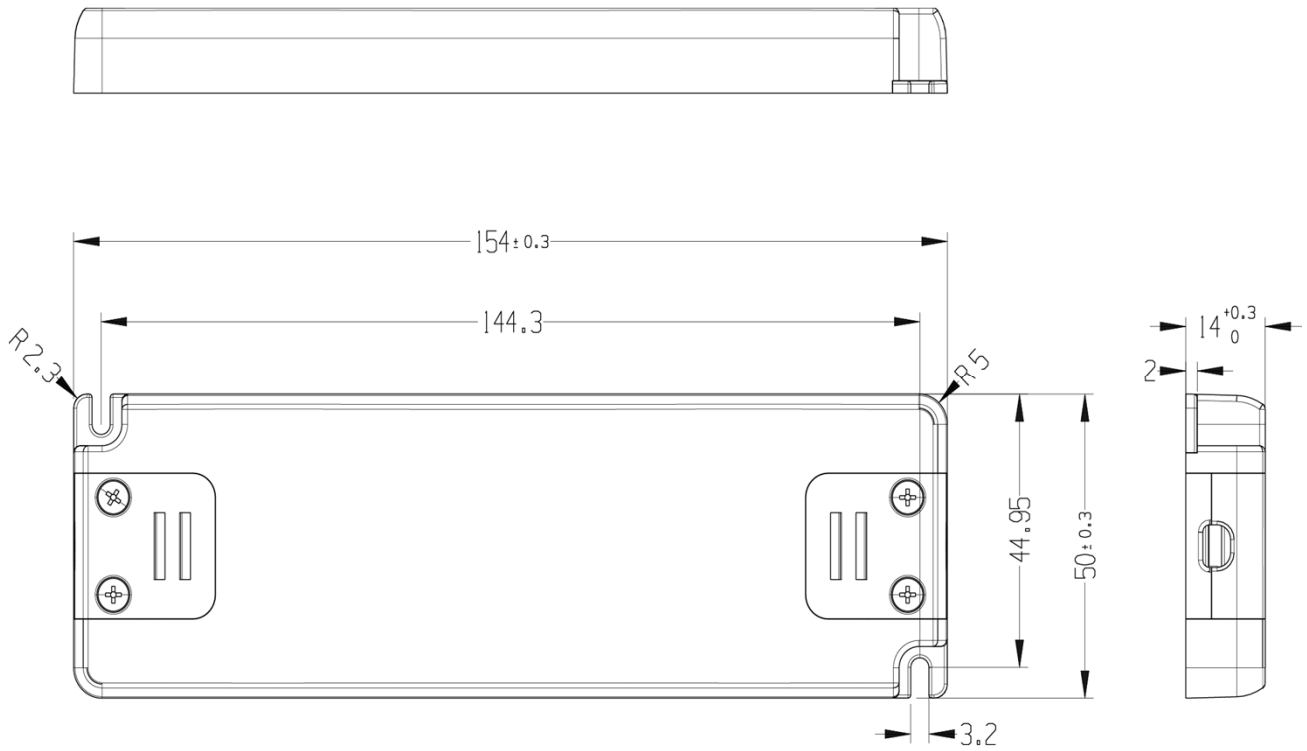
.Mechanical, mounting

Items	Conditions
Case material and size	Plastic L154*W50*H14.5mm
Mounting ways	Independent
Insulation type	Class II
IP grade	IP20
Input cables dimension	H03VVH2-F 2x0.75mm ²
Output cables dimension	H03VVH2-F 2x0.75mm ²
Output cables length	max. 2m

.Standard

Items	Conditions
Safety	IEC61347-1、 IEC61347-2-13
Harmonic	IEC61000-3-2
EMI	IEC55015
EMS	IEC61547

● **Dimensions(mm)**



● **Wiring Diagram**

