



Constant Current & Dimmable Driver

Model: CC40W700-1050CG Triac



Model	Output Current (230V Full Load)	Input Current (230V Full Load)	Input Power (230V Full Load)	Output Power Range	PF (Full Load)	Efficiency (Full Load)	Output Voltage	No load Voltage
CC40W700-1050CG Triac	1050mA	0.23A	48W	26.6-39.9W	0.92	86%	27-38V	55V

1. Parameters

category	Item	Technical Norm
Features	Output Type	Constant Current
	Dimming Type	Phase dimming
	Dimming Range	10%-100%
	IP Grade	IP20
	Insulation Class	Class II
Input	Rated Input Voltage	220-240VAC
	Range of Input Voltage	198-264VAC
	Frequency	50/60Hz
	Input Current	≤0.24A (198VAC, full load)
	Input Power	≤48W (230VAC, full load)
	Power Factor	≥0.92 (230VAC, full load)
	THD	≤20% (230VAC, full load)
	No-load Power Consumption	≤0.5W @230VAC
	Inrush Current	≤45A/500us (230VAC, full load)
	Connected quantity of 16A Breaker :	7pcs/type B ; 11pcs/type C @ 230Vac
Output Voltage	CC40W700-1050CG Triac	27-38V
Output Current	CC40W700-1050CG Triac	700mA/800mA/950mA/1050mA
No Load Voltage	CC40W700-1050CG Triac	55VDC Max.
Output	Max. Output Power	39.9W
	Efficiency	≥86% (230VAC, full load)
	Current Ripple	±5% (230VAC, full load)
	Current Accuracy	±5%
	Started Delay Time	≤0.5S (230VAC, full load)
Protection	Short Circuit Protection	Auto Recovery
	Overload Protection	Auto Recovery

	No-load Protection	Auto Recovery
	Insulation voltage	I/P to O/P , 3.75KVac/1min
	Ta/Operation Temperature	-25....+45°C
Environment	Ts/Storage Temperature	-50....+85°C
	Tc/Enclosure Temperature	85 °C
	Humidity	10%....90%RH
	Atmosphere	86-108KPa
	Connection Method	Push-in Terminal
Construction	Installation	Independent installation
	PRI Wire preparation	0.75-1.5 [□]
	SEC Wire preparation	0.5-1.5 [□]
	Dimension	Independent:172.3*44*30mm (L*W*H) Built in:132.5*44*30.3mm(L*W*H)
	Certification	complied to CE ENEC SAA
Standards	Safety Standards	EN61347-1:2015,EN61347-2-13:2014/A1:2017 ,EN62493:2015,AS/NZSIEC61347.2.13:2013, AS/NZS 61347.1:2016
	EMC Standards	EN55015:2013/A1:2015,EN61000-3-2:2014,E N61000-3-3:2013,EN61547:2009
	Performance	EN62384
	Surge	L-N/1KV
	RoHS	complied to 2011/65/EU
Others	Life Time	50000h @45°C (Ta) / 85°C (Tc)
	Warranty	5years , F.R. < 10000ppm

Remark: 1. Specific instructions are not all parameters are not connect dimmer input voltage 230 vac / 50 Hz and 25 °C ambient temperature measured.

2. LED Driver is a component of the luminaires, Luminaires and wire layout will affect the EMC, please check the EMC with end products again.

3. Leading edge & trailing edge dimmable.

2. Trailing Edge Dimmer list approved by KGP

Manufacturer	Model	Q'ty of parallel connection
ABB	6519 U	8
ABB	6526 U	8
JUNG	1224 LED UDE	9
Berker	2861	7
JUNG	254 UDIE 1	7
JUNG	225 TDE	8
EGANT	U321V2	7
Schneider	SBD200LED	8
Schneider	SBD315RC	7
Merten	SBD200LED	8
Berker	2874	7
Eltako	EUD61NPL-230V	7
Eltako	EUD12NPN-UC	9
Eltako	EUD12D-UC	8
Eltako	EUD61NP-230V	7
Eltako	DTD55-230V-wg	9
Eltako	DTD55L-230V-wg	7
GIRA	Universal-LED-Dimmer Mini2440 00	7
EHMANN	LED-Dimmer T46.08	7
JUNG	DrehDimmer Unlversal LED1731DD	8

Leading Edge Dimmer list only on request -/ or confirmed by KGP Electronics

3. Label



KGP
KGP Electronics GmbH
Hueckstraße 19
DE-58511 Lüdenscheid

LED Dimmable Driver
CC40W700-1050CG Triac



Constant Current Type For LED modules only

$U_N=220-240V_{ac}$ 50/60Hz $\lambda:\geq 0.92C$

$U_{out}:27-38V_{dc}$ $U_{out}=\text{Max.}55V_{dc}$

$t_a=-20^{\circ}C$ - $+45^{\circ}C$ $t_c=85^{\circ}C$

PIN1	PIN2	Io (mA)	Po (W)	In (A)
OFF	OFF	700	26.6	0.16
ON	OFF	800	30.4	0.18
OFF	ON	950	36.1	0.21
ON	ON	1050	39.9	0.23

8mm 

PRI 0.75-1.5 

SEC 0.5-1.5 

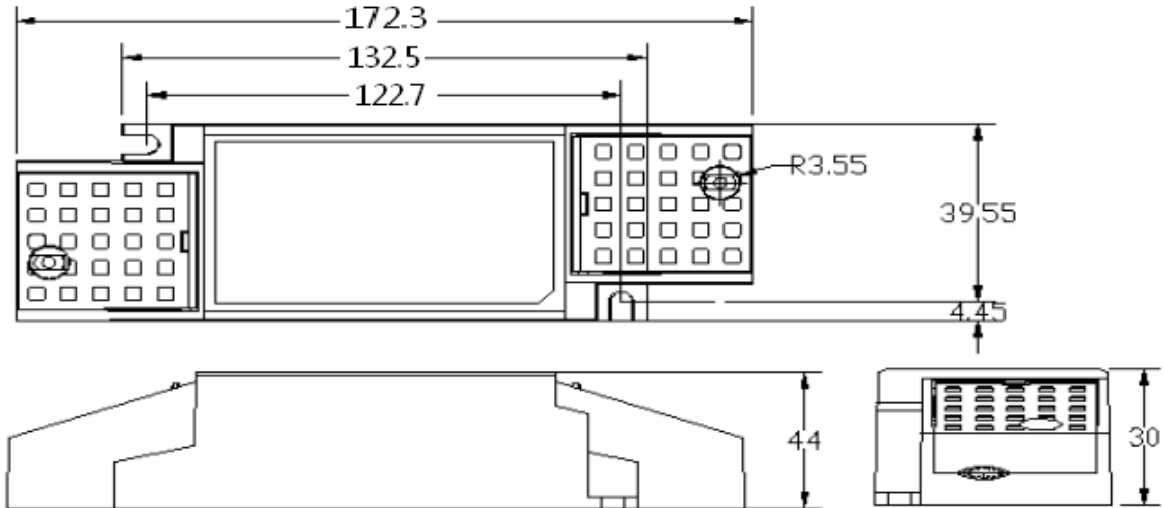
SEC  

tc 

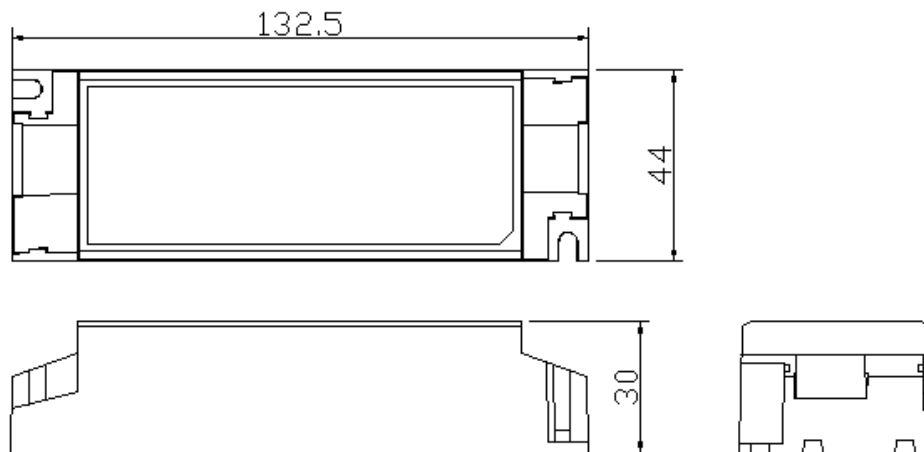
SELV        

4. Dimension (Unit: mm)

Independent type:



Built in type:

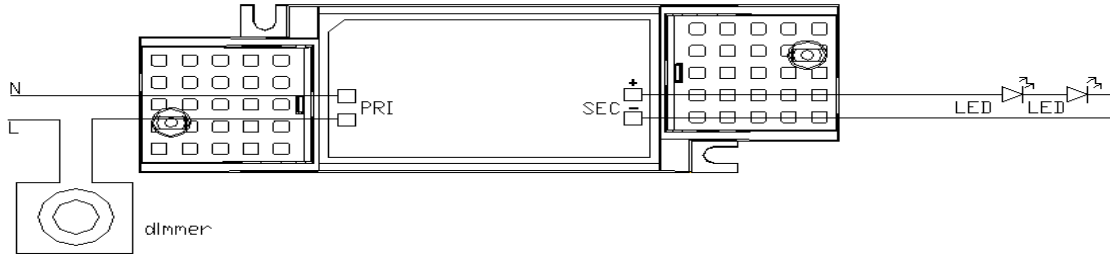


5. Packing information

Carton L*W*H(mm)	Pcs/Carton	Net weight/ Pcs(kg)	Net weight/ Carton(kg)	Gross weight / Carton(kg)
450*240*200	50	0.197	9.85	11.28

6. Wiring Diagram

Independent type:



Built in type:

