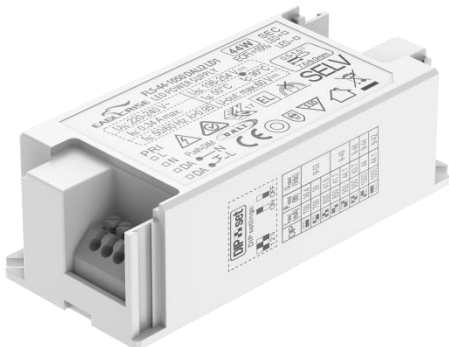


44W DALI+PUSH Dimming power supply



■ Approve



Features

- Class II, SELV, built-in
- Input Voltage 220-240VAC
- Protections: SCP/OLP/OVP/OTP
- Power Factor > 0.95
- Efficiency ≥87%
- Support DALI-2, Push Dimming
- 5 years warranty

Applications

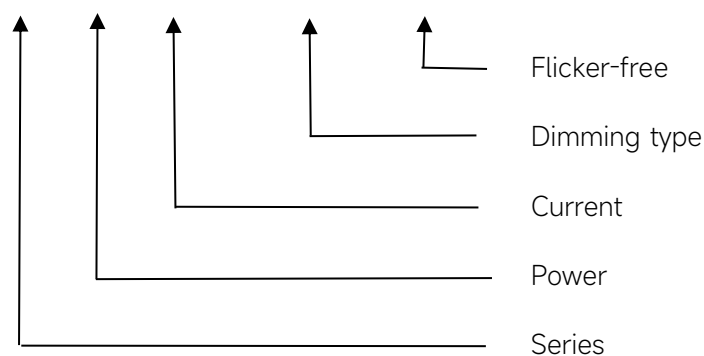
LED panel, down light, spot light

◆ Description

FLS-44-1050 DALI-2 LD1 is a 44W constant current LED driver with 700 to 1050mA output current and a forward voltage range from 9 to 52Vdc. The output current is adjustable by DIP Switch. With its dimensions from 97 x 43 x 30mm it is easy to integrate in LED Panel, spot and down light products. To ensure trouble-free operation, protection is provided against output short circuit and over Load.

◆ Model code

FLS-44-1050 DALI-2 LD1



◆ Specification

Output	Constant Current (mA)	700	750	800	850	900	950	1000	1050
	Voltage Range (VDC)	9-52			9-49		9-46	9-44	9-42
	Unload voltage Max.	60VDC							
	Current Accuracy	±5%							
	Output HF current ripple(≥1KHz)	±10%							
	Output LF current ripple(≤120Hz)	±3%							
	SVM	≤0.4							
	P _{st}	≤1							
	Efficiency(Typ.)	87%							
Input	Rated input voltage	220-240VAC							
	Range of input voltage	198-264VAC							
	Rated input voltage(DC)	198-280VDC							
	Frequency(Hz)	0/50/60 Hz							
	Displacement factor	≥0.9							
	Power Factor	>0.95							
	Input Current	0.34A							
	Start-up time	< 0.6S							
	No Load Power	≤0.5W							
	Standby Power	≤0.5W							
	Network standby power	≤0.5W							
	THD (Typ.)	<10%							
Dimming	Dimming	YES							
	Dimming mode	DALI-2 (IEC 62386-101,102,207) & Push Dimming (Corridor Function)							
	Dimming depth	1%							
	Dimming current range	1 ~100%							
Protection	Over Load Protection	103-120%							
		YES/Latch off							
	Over Voltage Protection	> 60VDC							
		YES/Latch off							
Environment	Short circuit Protection	YES/Latch off							
	Over Temperature Protection	YES/Auto Resume							
	Operating Temperature	-20°C~-+50°C							
	Humidity	20%-90%RH							
	Tc	75°C							
Surface	Storage Temperature	-25°C~-+60°C							
	Lifetime	>50000h,@Tc=75°C							
Surface	Dimension	97X43X30mm (With side caps :131X43X30mm)							

standards	EN 61347-1; EN61347-2-13; EN62384; EN55015; EN61000-3-2 ; EN61000-3-3; EN 61547;		
Others	ErP	EU 2019/2020	
	RoHS	RoHS (2011/65/EU) (EU)2015/863	
Note	1.All parameters NOT specially mentioned are measured at 230VAC input , full load and 25°C of ambient temperature. 2.Ripple & Noise are measured at 20MHz of bandwidth by using a 300mm twisted pair-wire terminated with a 0.1uF & 47 uF parallel capacitor.		

◆ Parameter

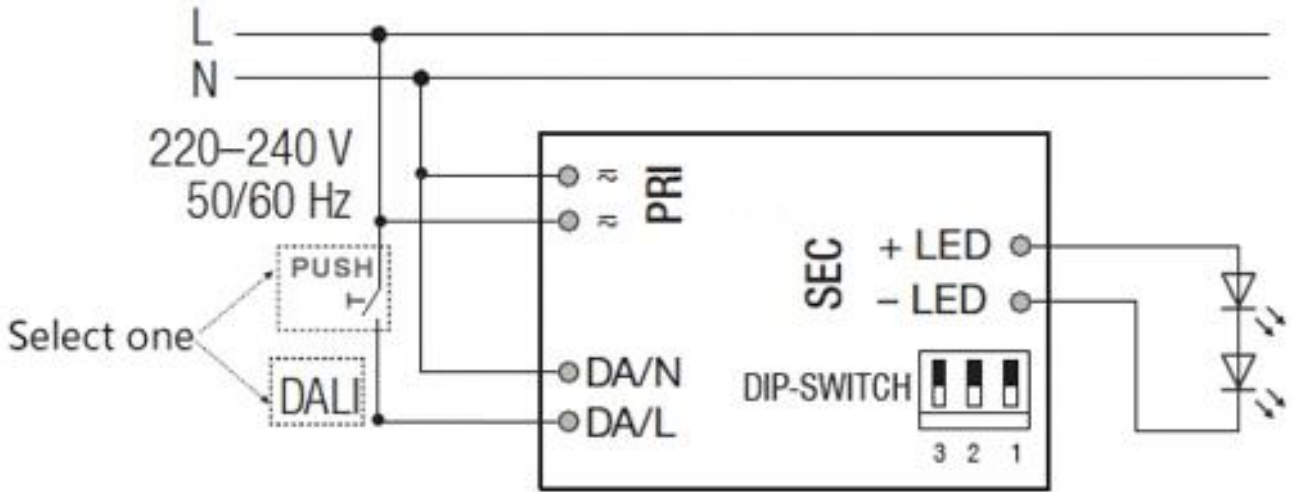
Number	Output Current(mA)	Switch position		
		1	2	3
1	700	--	--	--
2	750	ON	--	--
3	800	--	ON	--
4	850	ON	ON	--
5	900	--	--	ON
6	950	ON	--	ON
7	1000	--	ON	ON
8*	1050	ON	ON	ON

* Factory default

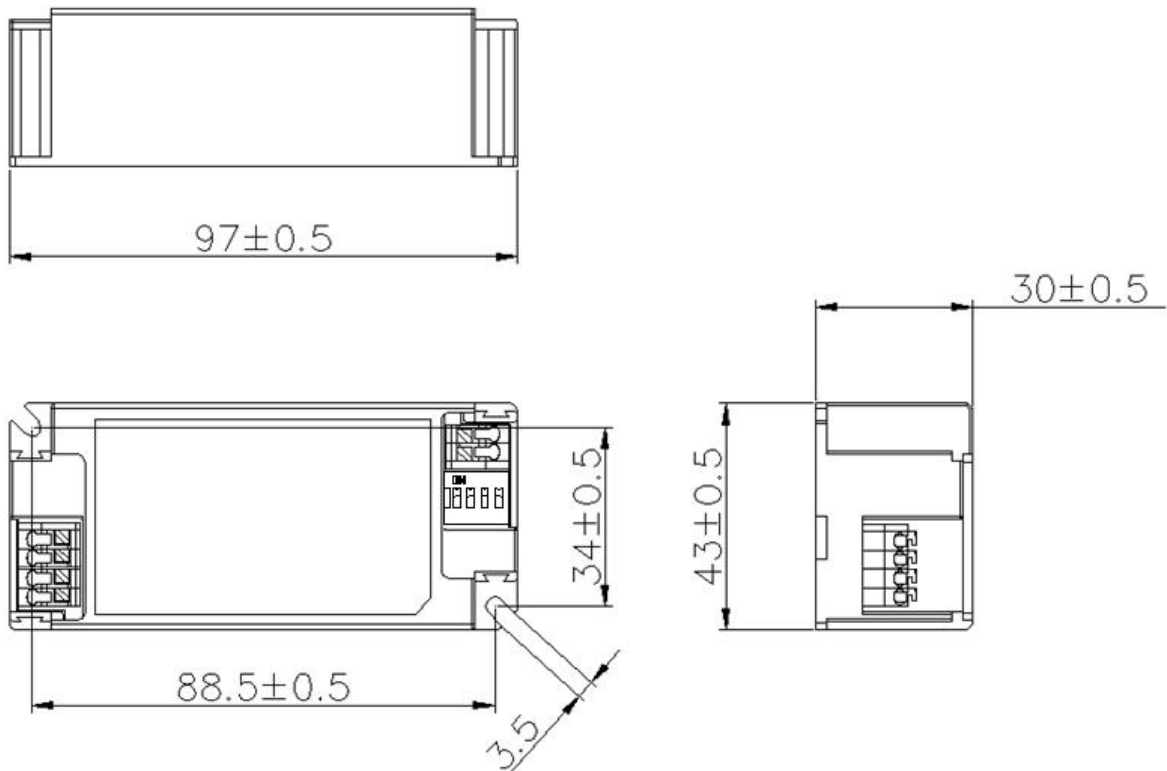
◆ Circuit Breaker

I _{peak}	T _{width}	B10	B16	B20	C10	C16	C20
6.8A	47.8μs	23pcs	37pcs	47pcs	23pcs	37pcs	47pcs

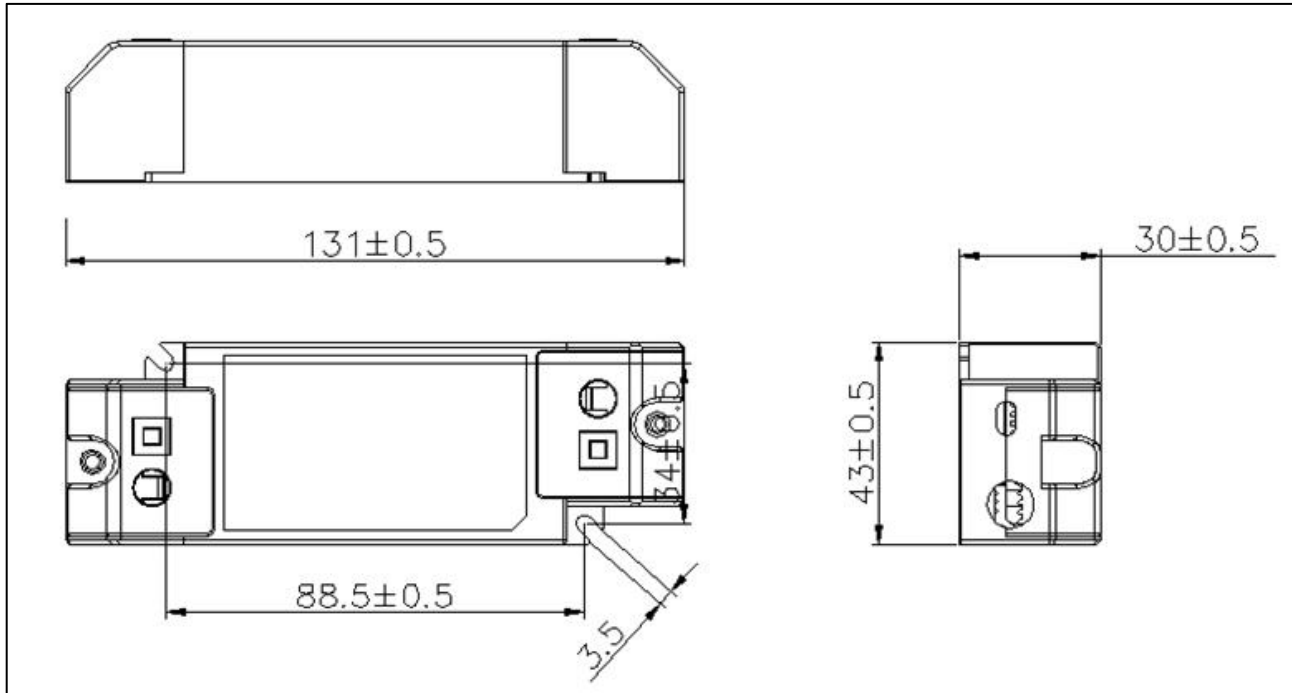
◆ **Wiring diagram**



◆ **2D diagram**



With side caps

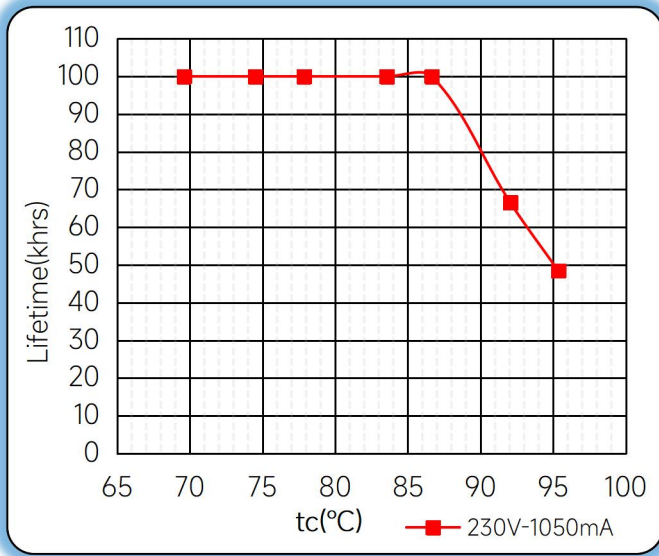


◆ Wiring & Connections

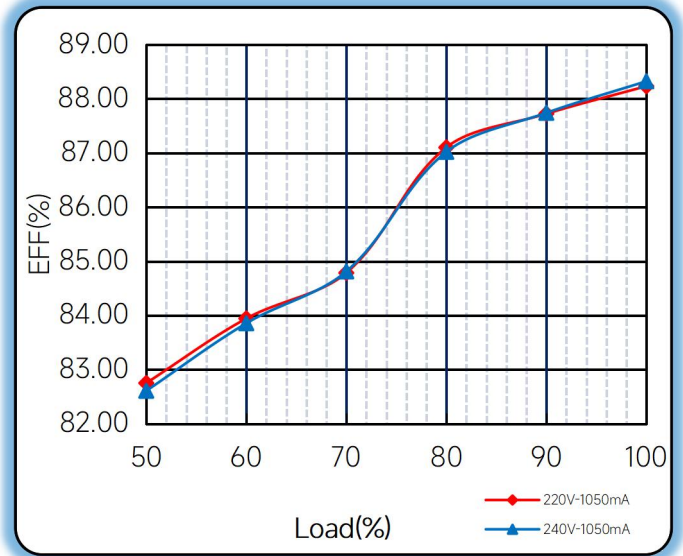
Specification item		Value (Unit)
Input	Input wire cross-section	0.5...1.5 mm ²
	Input wire gauge.	16...20 AWG
	Input wire strip length	7...9mm
Output	Output wire cross-section	0.5...1.5 mm ²
	Output wire gauge.	16...20 AWG
	Output wire strip length	7...9mm

◆ Curve for FLS-44-1050 DALI-2 LD1, $I_o=1050mA$

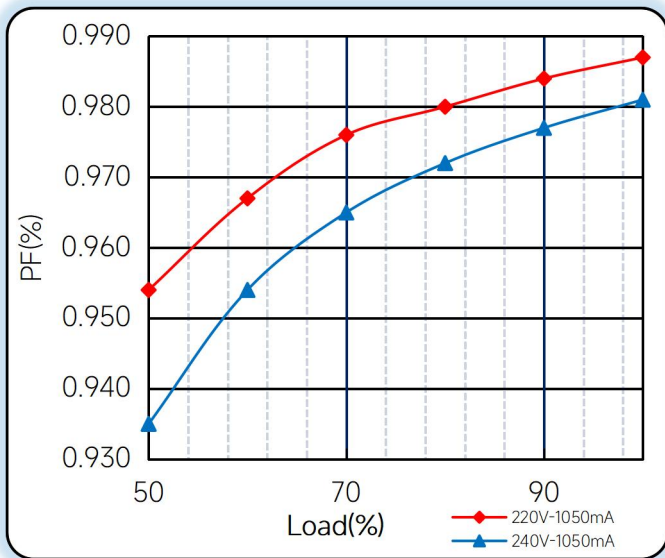
Lifetime vs. Temperature Curve



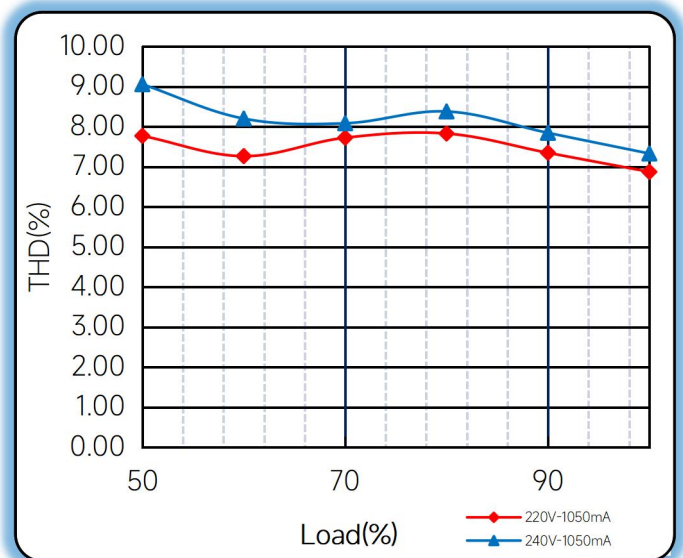
Efficiency vs. Load



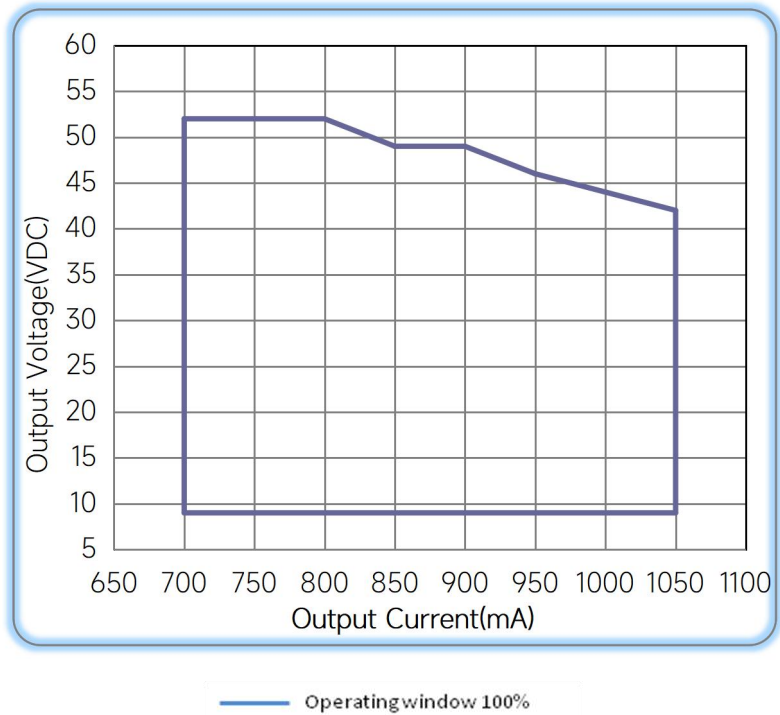
Power Factor Characteristics



THD vs. Load



◆ **Operating window**



◆ **Revision Updates**

ITEM	BEFORE	AFTER	VERSION	DATE
Initial			1.0.0	2021-6-7

Tel: (86 757) 8252 3552, 8625 6816
 Fax: (86 757) 8626 9260, 8625 6780
 E-mail: sales@eaglerise.com
 Website : <https://lighting.eaglerise.com/index.aspx>



EAGLERISE



Manual