

WRA120 SERIES

3PH AC - DC DIN RAIL MOUNTABLE POWER SUPPLY
INDUSTRIAL CONTROL EQUIPMENT



FEATURES

- 3 PHASE AC INPUT VOLTAGE
- SELV COMPONENTS DESIGN
- SHORT CIRCUIT PROTECTION
- INTERNAL INPUT FILTER
- OVER TEMPERATURE PROTECTION
- 3 YEARS WARRANTY



SELECTION CHART

WRA 120 - 24

Wattage 12 : 12V OUT 24 : 24V OUT

MODEL LIST

MODEL NO.	INPUT VOLTAGE	OUTPUT WATTAGE	OUTPUT VOLTAGE	OUTPUT CURRENT	EFF. (min.)	EFF. (typ.)
Single Output Models						
WRA120-12	3 ϕ 340~575 VAC	120 WATTS	+ 12 VDC	10 A	85%	87%
WRA120-24	3 ϕ 340~575 VAC	120 WATTS	+ 24 VDC	5 A	87%	89%

SPECIFICATION

All Specifications Typical At Nominal Line, Full Load, 25°C Unless Otherwise Noticed

GENERAL						
Characteristics	Conditions	min.	typ.	max.	unit	
Switching frequency	Vi nom, Io nom		70		KHz	
Isolation voltage	Input-Output	3,000 / 4,242			VAC / VDC	
	Input-FG	1,500 / 2,121			VAC / VDC	
	Output-FG	500 / 710			VAC / VDC	
Isolation resistance	Input-Output, @ 500VDC	100			M Ω	
Ambient temperature	Operating at Vi nom	-40		+ 71	°C	
Derating (see derating curve)	Vi nom, from +61 to +71°C			2.5	% / °C	
Storage temperature	Non operational	-40		+ 85	°C	
Relative humidity	Vi nom, Io nom	20		95	% RH	
Temperature coefficient	Vi nom, Io min			± 0.03	% / °C	
MTBF	Bellcore Issue 6 @40°C, GB	12V		569,000	Hours	
		24V		572,000	Hours	
Altitude during operation	EN 62368-1			5,000	m	
Dimension	Screw terminal type			L124 x W74.3 x D118.8	mm	
Cooling	Free air convection					
Installation position	Vertical (other direction may derating using)					
Pollution degree				2		

INPUT SPECIFICATIONS

Characteristics	Conditions	min.	typ.	max.	unit	
Nominal voltage *1			1 ϕ or 3 ϕ 380 / 480 VAC			
Rated input voltage	Io nom	400		500	VAC	
Absolute input max. range	Ta min ... Ta max, AC in	340		575	VAC	
	Io nom, DC in	480		820	VDC	
Input current	Vi : 400 / 500 VAC, Io nom		0.36 / 0.3		A	
Rated input current	Vi : 340 VAC, Io nom			0.5	A	
Line frequency	Vi nom, Io nom	47		63	Hz	

*1. Single phase input is permissible, but output load is derated to 75%

SPECIFICATION

All Specifications Typical At Nominal Line, Full Load, 25°C Unless Otherwise Noticed

INPUT SPECIFICATIONS

Characteristics	Conditions	min.	typ.	max.	unit
Inrush current	Vi nom, lo nom		10	12	A
Power dissipation	Vi : 400 VAC, lo nom	12V	20		W
		24V	16		W
Leakage current	Input-Output			0.25	mA
	Input-FG			3.5	mA
Power factor (Passive)	Vi nom, lo nom		0.55		

OUTPUT SPECIFICATIONS

Characteristics	Conditions	min.	typ.	max.	unit
Output voltage accuracy (Adjusted before shipment)	Vi nom, lo max	0		+ 1	%
Minimum load	Vi nom	0			%
Line regulation	lo nom, Vi min ...Vi max			± 1	%
Load regulation	Vi nom, lo min ...lo nom			± 1	%
Voltage trim range	Vi nom, 0.8 lo nom	12V	11.4	14.5	VDC
		24V	22.5	28.5	VDC
Rated continuous loading	Vi nom	12V	10 A @ 12Vdc / 8.2 A @ 14.5Vdc		
		24V	5 A @ 24Vdc / 4.2 A @ 28.5Vdc		
Hold up time	Vi nom, lo nom	20			ms
Turn on time	Vi nom, lo nom			1,000	ms
	Vi nom, lo nom → 12V model : with 7000 μF CAP 24V model : with 3500 μF CAP			1,500	ms
Rise time	Vi nom, lo nom			150	ms
	Vi nom, lo nom → 12V model : with 7000 μF CAP 24V model : with 3500 μF CAP			500	ms
Fall time	Vi nom, lo nom			150	ms
Transient recovery time	Vi nom, I ~ 0.5 lo nom			2	ms
Ripple & noise	Vi nom, lo nom, BW = 20MHz			100	mV
Power back immunity	Vi nom, lo nom	12V	18		VDC
		24V	35		VDC
Capacitor load	Vi nom, lo nom	12V		7,000	μF
		24V		3,500	μF
DC ON indicator threshold at start up (Green LED)	Vi nom, lo nom	12V	10	11.2	VDC
		24V	17.6	19.4	VDC
DC LOW indicator threshold after start up (Red LED)	Vi nom, lo nom	12V	10	11.2	VDC
		24V	17.6	19.4	VDC
Efficiency	Vi nom, lo nom, Po / Pi				Up to 89%, See model list and typ efficiency curve

CONTROL AND PROTECTION

Characteristics	Conditions	min.	typ.	max.	unit
Input fuse		2 A / 600 VAC internal / phase			
Internal surge voltage protection	IEC 61000-4-5	Varistor			
Rated over load protection	Vi nom (see typ current limited curve)	115		135	%
Power Rdy (for 24V model only)	Threshold voltage of contact closed(at start up)	17.6		19.4	VDC
	Electrical isolation	500			VDC
	Contact rating at 60VDC			0.3	A
Over voltage protection	Vi nom, 0.8 lo nom (Auto Recovery)	12V	15	16.5	VDC
		24V	30	33	VDC
Output short circuit		Hiccup mode			
Over temperature	Detect on heat sink, shut down O/P voltage, recovers automatically after temperature goes down.	100		110	°C
Degree of protection		IP20			

SPECIFICATION

All Specifications Typical At Nominal Line, Full Load, 25°C Unless Otherwise Noticed

APPROVALS AND STANDARDS

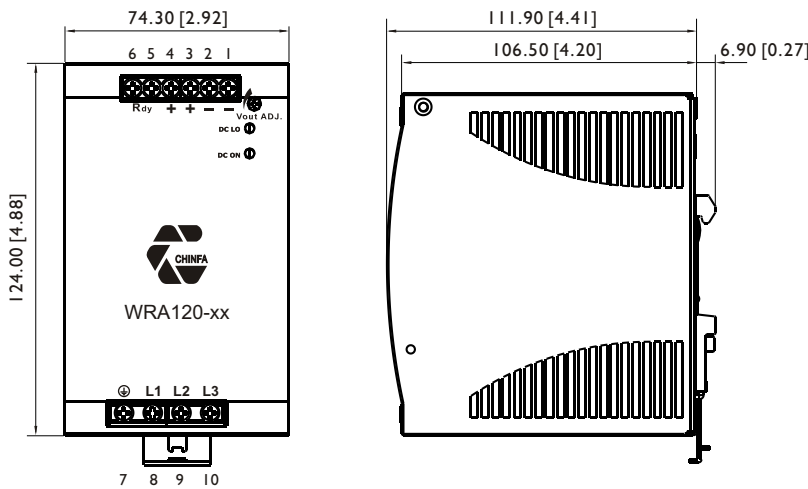
UL / cUL	UL 508 Listed UL 60950-1 Recognized ISA 12.12.01(Class I, Division 2, Groups A, B, C and D)
TUV	EN 62368-1, EN 61558-1, EN 61558-2-16 (meet EN 60204-1)
cTUVus	UL 62368-1
CE	EN 61000-6-3, EN 55032 Class B, EN 61000-3-2, EN 61000-3-3 EN 61000-6-2, EN 55024, EN 61000-4-2 Level 4, EN 61000-4-3 Level 3 EN 61000-4-4 Level 4, EN 61000-4-5 L-N Level 3, L / N-FG Level 4 EN 61000-4-6 Level 3, EN 61000-4-8 Level 4, EN 61000-4-11 ENV 50204 Level 2, EN 61204-3
CQC	GB4943.1, GB9254, GB17625.1
Vibration resistance	meet IEC 60068-2-6 (Mounting on rail : 10-500 Hz, 2G, along X, Y, Z each Axis, 60 min for each Axis)
Shock resistance	meet IEC 60068-2-27 (15G, 11ms, 3 Axis, 6 Faces, 3 times for each Face)

PHYSICAL CHARACTERISTICS

Case size	Screw terminal type 124 x 74.3 x 118.8 mm (4.88 x 2.92 x 4.68 inches)
Case material	Metal
Weight	800g
Packing	0.92kg ; 20 pcs / 19.5kg / 2.02CUFT

MECHANISM & PIN CONFIGURATION

mm [inch]



CONSTRUCTION

Easy snap-on mounting onto the DIN-Rail (TS35/7.5 or TS35/15), unit sits safely and firmly on the rail.

INSTALLATION

Ventilation / Cooling
Normal convection
All sides 25mm free space
For cooling recommended
Connector size range
AWG24-10 (0.2~4mm²) flexible / solid cable,
-Input connector can withstand torque at maximum 9 pound-inches.
-Output connector can withstand torque at maximum 5.5 pound-inches.
8 m/m stripping at cable end recommends
Use copper conductors only, 60 / 75°C

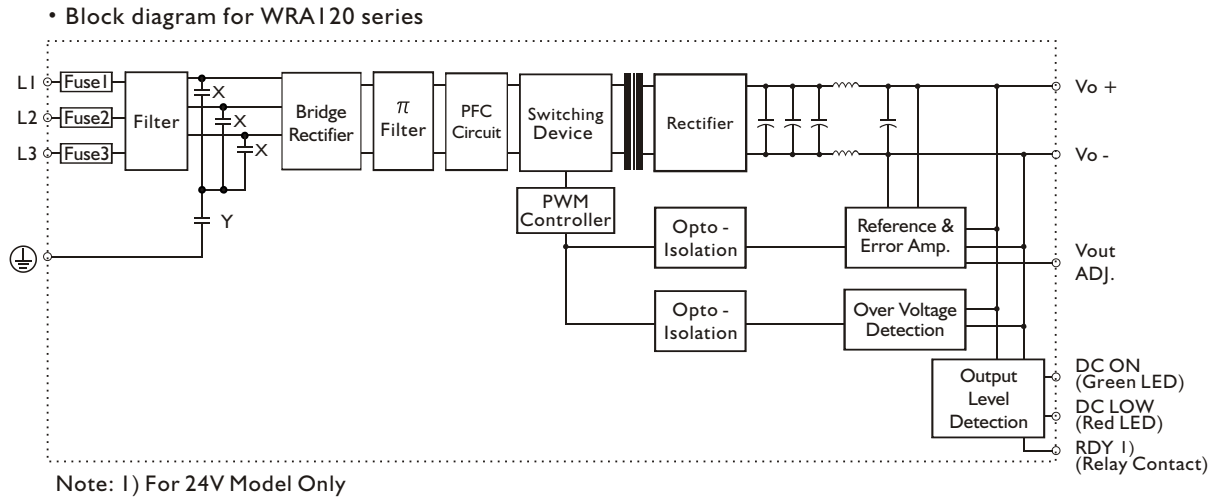
GENERAL TOLERANCE

0.00[0.00] - 30.00[1.18]	±0.30[0.01]
30.00[1.18] - 120.00[4.72]	±0.50[0.02]
120.00[4.72] - 400.00[15.75]	±0.80[0.03]

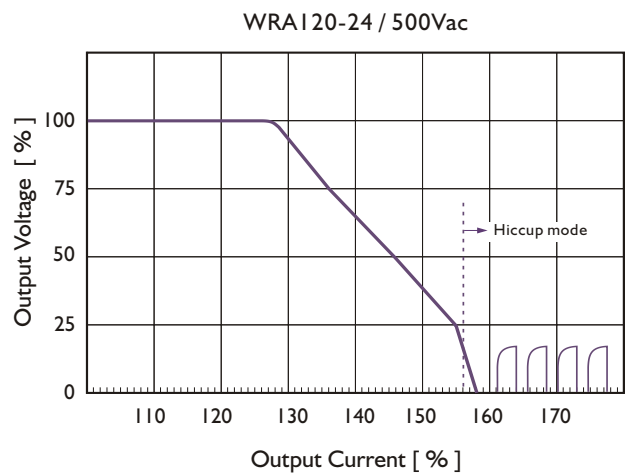
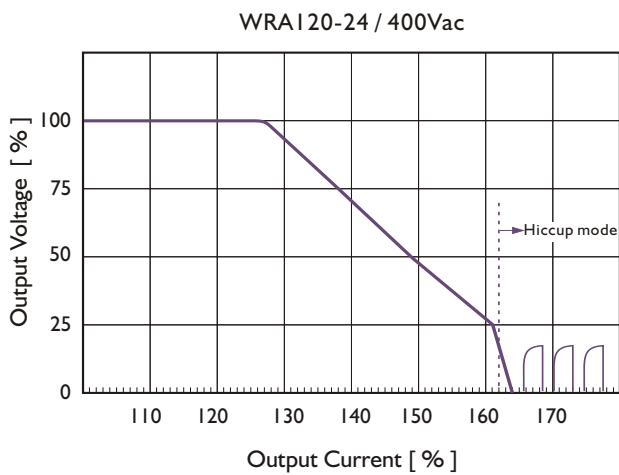
PIN ASSIGNMENT

PIN NO.	Designation	Description
1, 2	V -	Negative output terminal
3, 4	V +	Positive output terminal
5	RDY	A normal open circuit of PhotoMOS Relay (24V model only)
6		
7	⊕	Ground this terminal to minimize high-frequency emissions
8	L1	Input terminals
9	L2	Input terminals
10	L3	Input terminals
	DC ON	Operation indicator LED
	DC LO	DC LOW voltage indicator LED
	Vout ADJ.	Trimmer-potentiometer for Vout adjustment

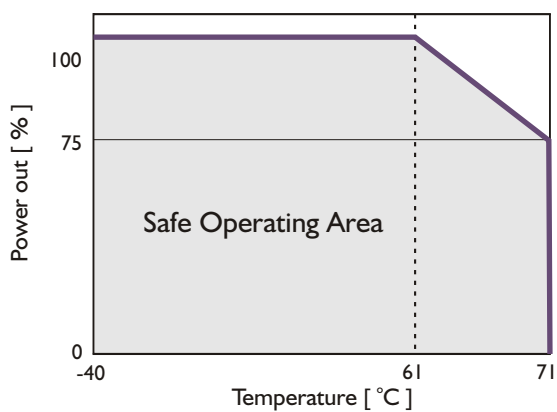
CIRCUIT SCHEMATIC



TYP. CURRENT LIMITED CURVE



DERATING CURVE



TYP. EFFICIENCY CURVE

