



LED POWER SUPPLY DATASHEET

SNP60-24VFD-1

DESCRIPTION

Linear type LED drivers, IP20, push in clamps, fast connection. helpful for signage, lightbox and advertisement application. SELV. Compliance to ERP directive, lifetime 30,000hrs. Slim design save much space for installation.



-Input

Items	Conditions	Request	Note
Input voltage	Ta	AC180-264V	--
Input frequency		50/60Hz	--
Input current	25°C, rated input voltage, output with max. rated power	< 0.5A	--
Input power		< 70W	--
Efficiency		≥ 88%	
Standby		25°C, rated input voltage, output without load	< 0.5W
Inrush current	25°C, rated input voltage	< 75A	peak
PF	25°C, rated input voltage, output max. rated power	≥ 0.9	--

-Temperate and others

Item	Conditions	Request	Note
Operation temp.	--	-20-50°C	--
Relative humidity	--	45%-85%	--
Max. case temp.	--	80°C	
Lifetime	Max. Ta, rated input voltage, output with max. rated power	30,000hr	--
Working noise	25°C, rated input voltage, output with rated power, mute box background noise < 35dB, pickup 10cm distance from products	< 35dB	--

-Protection

Items	Conditions	Request	Note
Open circuit	Ta, rated input voltage, no load	--	--
Over load	Ta, 0.94-1.06 times of input voltage, 2 times of rated power	yes	--
Short circuit	Ta, 0.94-1.06 times of input voltage	yes	--
Over temperature	Ta, 0.94-1.06 times of input voltage, temperature detected point more than 115 degree	yes	--
Over voltage	Ta, 0.94-1.06 times of input voltage, output voltage is 1.5 times of rated one	yes	--
Auto recovery	Over load, short circuit revocation	No	--
Latch off	Over voltage, over heat re-start after cut off	yes	--

-Output

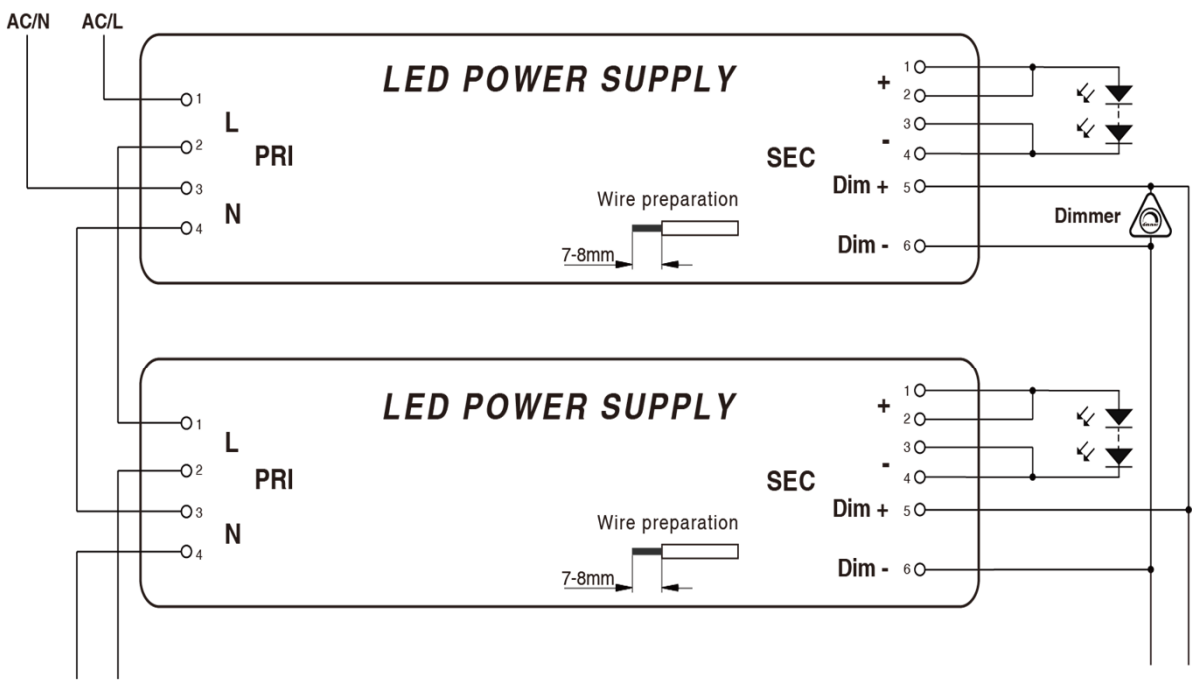
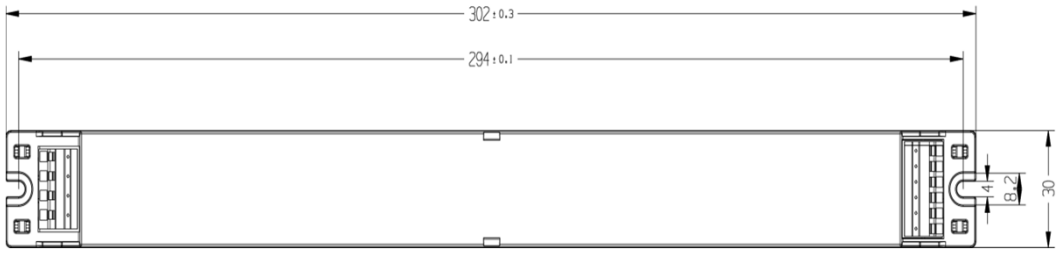
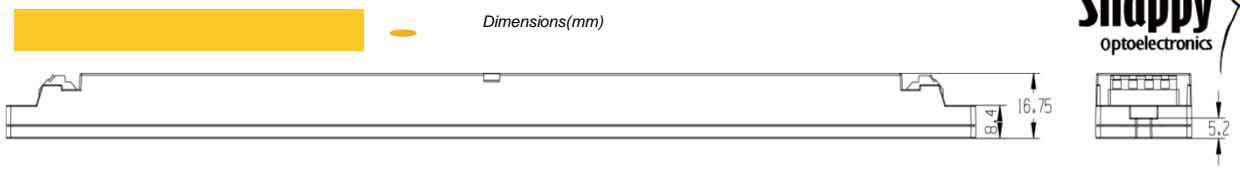
Items	Conditions	Request	Note
Startup time	25°C, rated input voltage, output with max. rated power	< 0.5S	--
Output voltage and precision	Ta, rated input voltage, output with rated power	12V±5%	--
Output current range	Ta, rated input voltage	0-5A	60W
Output voltage wave	25°C, rated input voltage, output with max. rated power	500mV	Vp-p
Output overload	25°C, rated input voltage, output with 2 times LED load	yes	--
Output current and precision	Ta, rated input voltage, output with rated power	--	--
Rated output voltage range	Ta, rated input voltage,	--	--
Output current wave	25°C, rated input voltage, output with max. rated power	--	Ip-p
Dimming mode	0-10V; 1-10V; PWM	yes	--
Dimming range	0-100%	yes	--

-Mechanical, mounting

Items	Conditions
Case material and size	Plastic case
Mounting ways	built in
Insulation type	Class II
IP grade	IP20
Input cables dimension	--
Output cables dimension	--
Output cables length	2000mm

-Standard

Items	Conditions
Safety	IEC61347-1, IEC61347-2-13
Harmonic	EN61000-3-2 Class C
EMI	EN55015
EMS	EN61000-4-2, 3, 4, 5, 6 EN61547



MAX 8PCS