



LED POWER SUPPLY DATASHEET

SNP6-350IF

DESCRIPTION

High Cost Performance, Class II, SELV. short circuit, overload and over temperature protection. lifetime 30,000hrs.



-Input

Items	Conditions	Request	Note
Rated Input voltage	Ta	200-240Vac	--
Input frequency		50Hz	--
Input current	25°C, rated input voltage, output with max. rated power	< 0.1A	--
Input power		< 10W	--
Efficiency		≥ 70%	--
Standby		25°C, rated input voltage, output without load	<0.5W
Inrush current	25°C, rated input voltage	<86A	peak
PF	25°C, rated input voltage, output max. rated power	≥0.5	--

-Temperate and others

Items	Conditions	Request	Note
Operation temp.	--	-20-45°C	--
Relative humidity	--	45%-85%	--
Max. case temp.	--	75°C	<90°C
Lifetime	Max.Ta, rated input voltage, output with max. rated power	30,000hr	--
Working noise	25°C, rated input voltage, output with rated power, mute box background noise<35dB, pickup 10cm distance from products	yes	--

-Protection

Item	Conditions	Request	Note
Open circuit	Ta, rated input voltage, no load	--	--
Over load	Ta, 0.94-1.06 times of input voltage, 1.3 times of rated power	YES	--
Short circuit	Ta, 0.94-1.06 times of input voltage	YES	--
Over temperature	Ta, 0.94-1.06 times of input voltage, temperature detected pointed more than 115 degree	--	--
Over voltage	Ta, 0.94-1.06 times of input voltage, output voltage is 1.5 times of rated one	--	--
Auto recovery	Over load, short circuit, over temperature revocation	YES	--
Latch off	Over voltage re-start after cut off	--	--

-Output

Items	Conditions	Request	Note
Startup time	25°C, rated input voltage, output with max. rated power	<0.5S	--
Output voltage and precision	Ta, rated input voltage, output with rated power	--	--
Output current range	Ta, rated input voltage	--	--
Output voltage wave	25°C, rated input voltage, output with max. rated power	--	Vp-p
Output overload	25°C, rated input voltage, output with 2 times LED load	yes	--
Output current and precision	Ta, rated input voltage, output with rated power	350mA±10%	--
Rated output voltage range	Ta, rated input voltage	8.57-17.14V	--
Output current wave	25°C, rated input voltage, output with max. rated power	60mA	Ip-p
Dimming mode	--	--	--
Dimming range	--	--	--

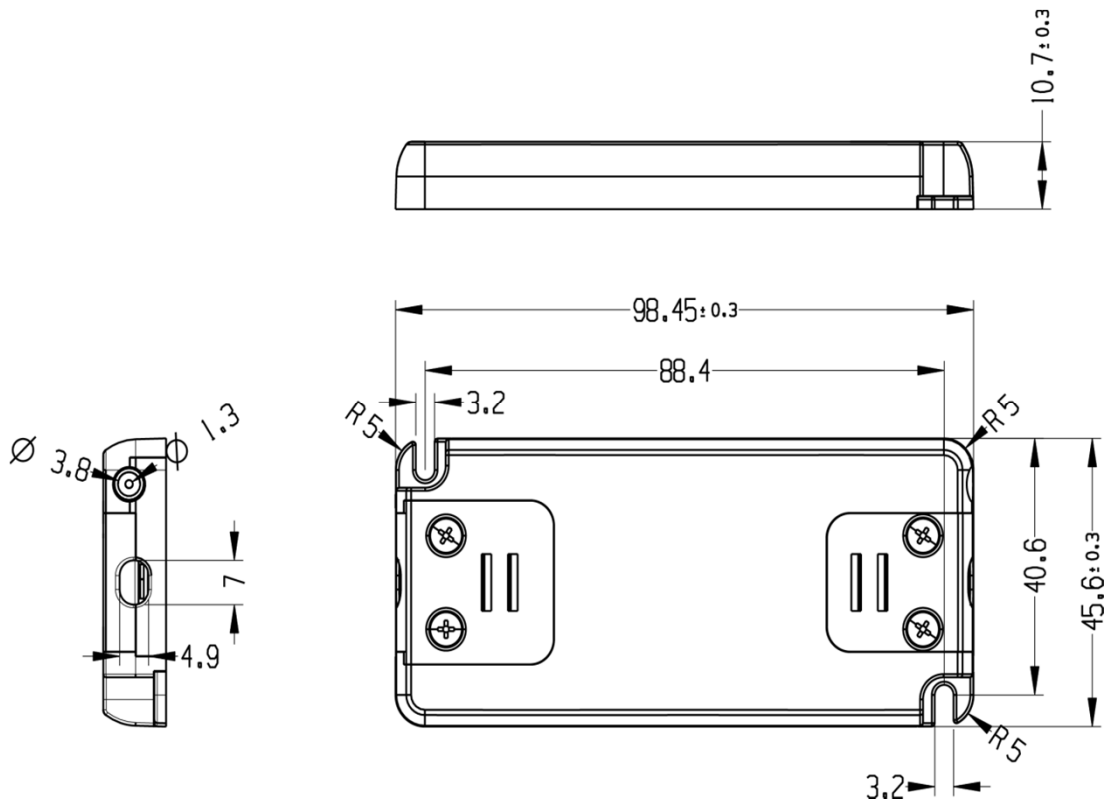
-Mechanical, mounting

Items	Conditions
Case material and size	Plastic case L98.5*W45.6*H10.7mm
Mounting ways	Independent
Insulation type	Class II
IP grade	IP20
Input cables dimension	H03VVH2-F 2X0.75mm ²
Output cables dimension	H05VVH2-F 2X1.0mm ²
Output cables length	Max 2M

-Standard

Items	Conditions
Safety	IEC61347-1、IEC61347-2-13
Harmonic	IEC61000-3-2
EMI	IEC55015
EMS	IEC61547

● Dimensions(mm)



● Wiring Diagram

