

# Triac dimmable driver---Constant Voltage PWM output series 8W

## ■Features

- Output constant voltage
- Range AC input:180-240VAC
- Efficiency :up to 76%
- Protections:short circuit/over loading/over current
- Full protection plastic housing easy installation
- IP20 design for indoor installation
- Cooling by free air convection
- Work with leading edge triac dimmer
- Strong compatibility, flicker-free dimming
- Suitable for LED lighting and moving sign applications



## ■ Specification

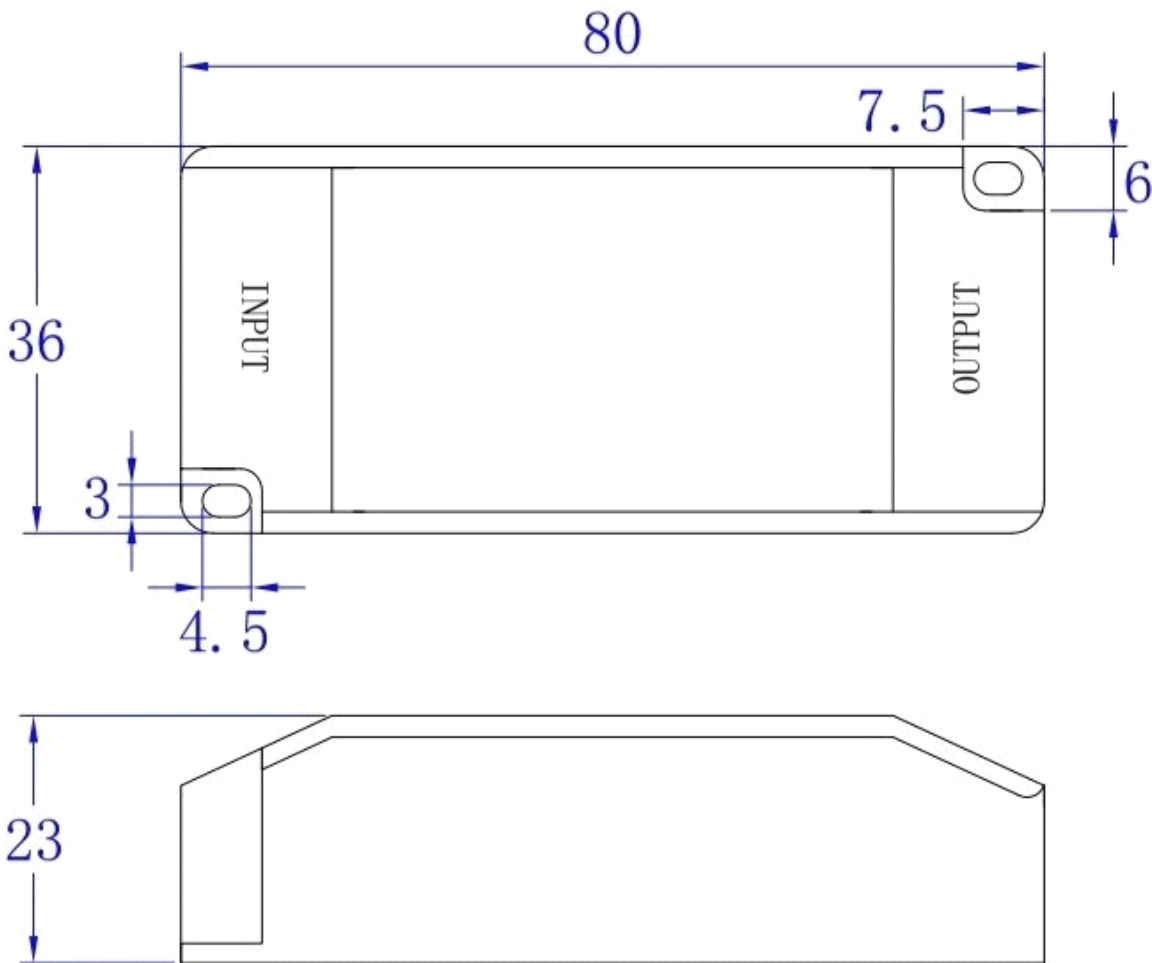


Model		KVP-12008-TD	KVP-24008-TD
output	DC Voltage	12V	24V
	Voltage Tolerance	±0.5V	
	Rated current	0.67A	0.33A
	Rated power	8W	
input	Voltage Range	180-240VAC	
	Frequency Range	47-63HZ	
	Power Factor	PF≥0.65/180VAC PF≥0.65/230VAC PF≥0.65/240VAC (Full loading)	
	Full Load Efficiency(Typ.)	75%	76%
	AC Current (Max.)	0.10A	0.10A
	Leakage current	<0.50mA	
Protection	Short Circuit	Hiccup mode,recovers automatically after fault condition is removed	
	Over Loading	≤120%	
	Over Current	≤1.2 *I out	
Environ-ment	Working TEMP.	-40+70°C	
	Working Humidity	20-90%RH, non-condensing	
	Storage TEM.,Humidity	-40+80°C,10-95%RH	
	TEMP.coefficient	±0.03%/°C(0-50°C)	
	Vibration	10-500Hz,2G 10min./1 cycle,period for 72min,each along X,Y,Z axes.	
Safety &EMC	Safety standards	EN61347-1 EN61347-2-13	
	Withstand voltage	I/P-O/P:3.75KVAC	
	Isolation resistance	I/P-O/P:100MΩ/500VDC/25°C/70%RH	
	EMC EMISSION	EN61000-3-2,3 (≥60%loading)	
Others	Net.Weight	0.1KG	
	Size	80*36*23mm(L*W*H)	
	packing	88*40*22mm inner box 430*250*170mm /100 PCS /CTN	

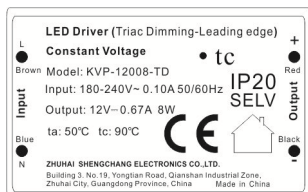
# Triac dimmable driver---Constant Voltage PWM output series 8W

<b>Notes</b>	<ol style="list-style-type: none"> <li>1. All parameters NOT specially mentioned are measured at 230VAC input , rated load and 25°C of ambient temperature.</li> <li>2. Tolerance: includes set us tolerance, line regulation and load regulation .</li> <li>3. The power supply is considered as a component that will be operated in combination with final Equipment. Since EMC performance will be affected by the complete installation, the final equipment manufactures must be-qualify EMC Directive on the complete installation again Loading range from 5% to 100%</li> </ol>
--------------	--

## ■ Mechanical Specification



## ■ Label



※Input Brown with AC (L),Blue with AC(N)

※Output Red is output(V+) Positive,Black is output (V-) negative.Connected to LED Lamps.

※Please make sure you connect these correctly otherwise your product will not function correctly and could be damaged.

※Note: Any other requests we can customized.

# Triac dimmable driver---Constant Voltage PWM output series 8W

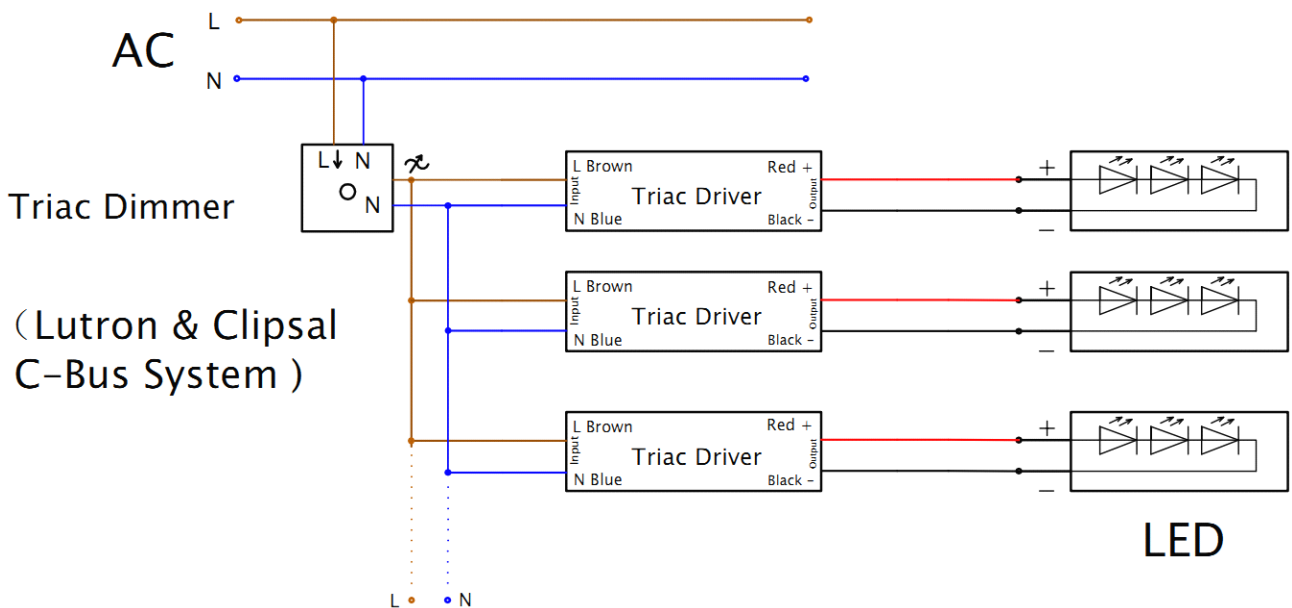
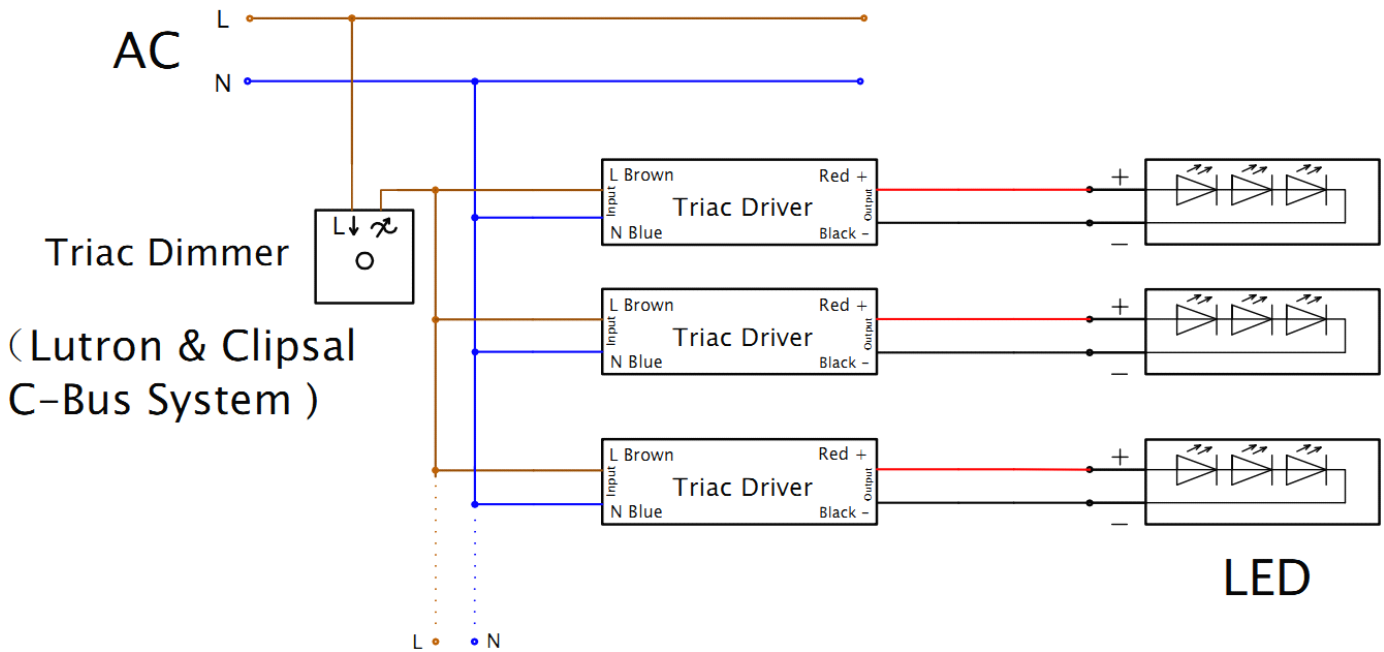
## ■ Dimming Operation

※the Pulse-Width Modulation (PWM) of output voltage can be adjusted through input terminal of the AC phase line(L) by connection a triac dimmer.

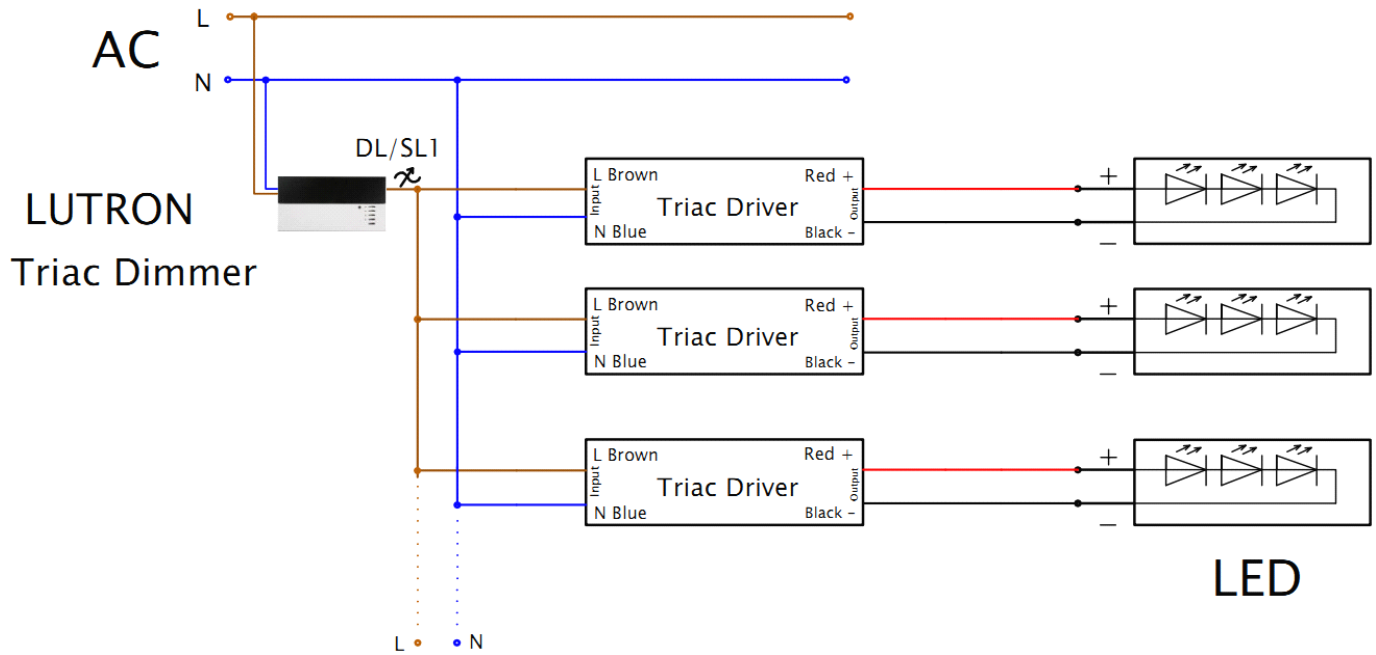
※Usually matching with leading edge Triac Dimmers

※please try to use dimmers with power at least 3 times as the output power of the driver.

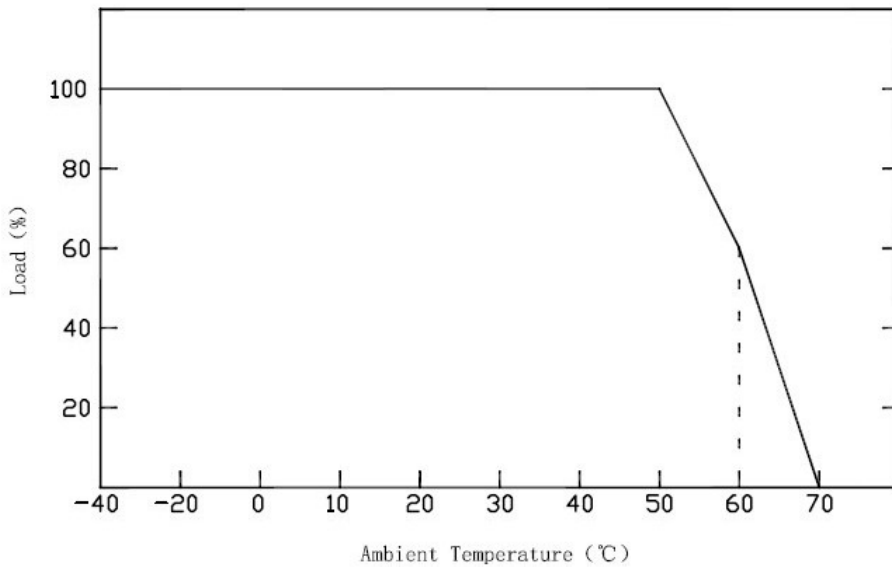
## ■ Connecting Diagram



# Triac dimmable driver---Constant Voltage PWM output series 8W



## Derating Curve



※To extend their life, please refer to the Derating Curve and derate according to the temperature.

## Instruction

- 1) This driver should be installed by qualified and professional person;
- 2) Please make sure the transformer is installed with adequate ventilation around it allow for heat dissipation.
- 3) Ensure that wiring is correct before test in order to avoid light and power supply damage;
- 4) If driver cannot work normally, don't maintain privately; have any question, please contact Shengchang.

Any other question please feel free to contact with ZHUHAI SHENGCHANG ELECTRONICS CO.,LTD.