



LED POWER SUPPLY DATASHEET

SS20-12VF

·DESCRIPTION

High Cost Performance, Products meet the SELV standard. The circuit design has open circuit, short circuit, overload and over temperature protection. Comply with low standby power consumption standard according to ERP instruction. Lifetime is over 30,000hrs. 5 years warranty



·Input

Items	Conditions	Request	Note
Input voltage	Ta	AC220-240Vac	--
Input frequency		50/60Hz	--
Input current	25°C, rated input voltage, output with max. rated load	<0.13A	230V/50HZ
Input power		<24W	
Efficiency		≥85%	
Standby	25°C, rated input voltage, output without load	<0.5W	average
Inrush current	25°C, rated input voltage	<30A	230V/50HZ
PF	25°C, rated input voltage, output max. rated load	≥0.95	230V/50HZ
Total harmonic distortion	25°C, rated input voltage, output max. rated load	<10%	230V/50HZ

·Temperate and others

Item	Conditions	Request	Note
Operation temp.	--	-20-45°C	--
Relative humidity	--	10%-90%	--
Max. case temp.	--	80°C	--
Lifetime	Max. Ta, rated input voltage, output with max. rated load	30,000hr	--
MTBF	Max. Ta, rated input voltage, output with max. rated load	200,000hr	--
Working noise	25°C, rated input voltage, output with rated load, static speakers background noise <35dB, pick up head is 10cm far away from product	yes	--

·Protection

Items	Conditions	Request	Note
Open circuit	Ta, rated input voltage, output without load	yes	--
Over load	Ta, 0.94-1.06 times of input voltage, 1.3 times of rated power	yes	--
Short circuit	Ta, 0.94-1.06 times of input voltage	yes	--
Over temperature	Ta, 0.94-1.06 times of input voltage, temperature detected pointed more than 115 degree	yes	--
Auto recovery	After over temperature, over load, short circuit protection revocation	yes	--
Latch off	Over temperature, over load, short circuit protection re-start should after cut off	--	--

·Output

Items	Conditions	Request	Note
Startup time	25°C, rated input voltage, output with max. rated load	<0.5S	230V
Output voltage and precision	Ta, rated input voltage, output with rated load	12V±5%	--
Output current range	Ta, rated input voltage	0-1.67A	--
Output voltage wave	25°C, rated input voltage, output with max. rated load	<3%	Vp-p
Output overload	25°C, rated input voltage, output with 2 times LED load	--	--
Output current and precision	Ta, rated input voltage, output with rated load	--	--
Rated output voltage range	Ta, rated input voltage	--	--
Output current wave	25°C, rated input voltage, output with max. rated	--	Ip-p
Dimming mode	Output load can be connected with PWM / 1-10V dimmer	--	--

·Mechanical, mounting

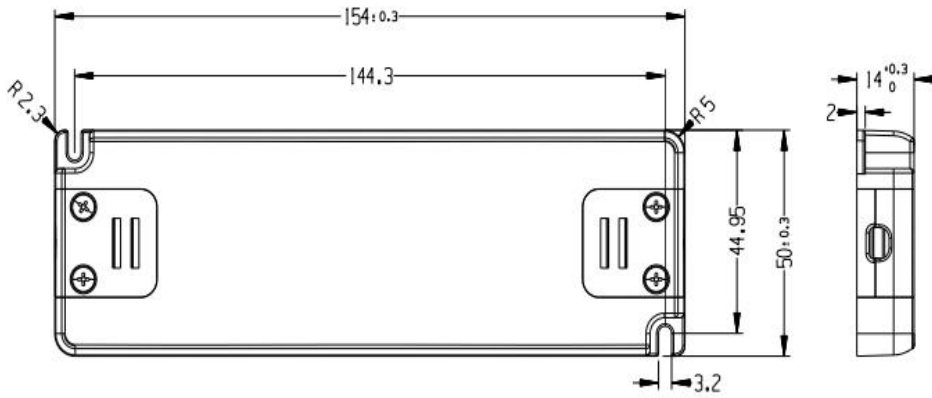
Items	Conditions
Case material and size	Plastic case L154*W50*H14mm
Mounting ways	Independent
Insulation type	Class II
IP grade	IP20
Input cables dimension	Terminal
Output cables dimension	Terminal
Output cables length	2M max.

·Standard

Items	Conditions
Safety	IEC61347-1、IEC61347-2-13
Harmonic	IEC61000-3-2 Class C
EMI	EN55015
EMS	EN6100-4-2、3、4、5、6 EN61547



Dimensions(mm)



Wiring Diagram

