



# LED POWER SUPPLY DATASHEET

## SS60-24VF

### ·DESCRIPTION

Super slim LED drivers, helpful for furniture, mirror and cabinet lighting. SELV. Open circuit, short circuit, overload and auto recovery. Class II, lifetime 30,000hrs.



#### ·Input

Items	Conditions	Request	Note
Rated Input voltage	Ta	AC220-240V	--
Input frequency		50/60Hz	--
Input current	25°C, rated input voltage, output with max. rated power	<0.35A	--
Input power		<70W	--
Efficiency		≥85%	--
Standby		25°C, rated input voltage, output without load	<0.5W
Inrush current	25°C, rated input voltage	<75A	Peak
PF	25°C, rated input voltage, output max. rated power	≥0.95	--

#### ·Temperate and others

Item	Conditions	Request	Note
Operation temp.	--	-20-45°C	--
Relative humidity	--	15%-90%	--
Max. case temp.	--	85°C	--
Lifetime	Max. Ta, rated input voltage, output with max. rated power	30,000hr	--
Working noise	25°C, rated input voltage, output with rated power, mute box background noise < 35dB, pickup 10cm distance from products	Yes	--

#### ·Protection

Items	Conditions	Request	Note
Open circuit	Ta, rated input voltage, no load	yes	--
Over load	Ta, 0.94-1.06 times of input voltage, 1.4 times of rated power	yes	--
Short circuit	Ta, 0.94-1.06 times of input voltage	yes	--
Over temperature	Ta, 0.94-1.06 times of input voltage, temperature detected point more than 115 degree	yes	--
Over voltage	Ta, 0.94-1.06 times of input voltage, output voltage is 1.5 times of rated one	yes	--
Auto recovery	Over heat, over load, short circuit recovation	yes	--
Latch off	Over heat, over voltage, over load, short circuit re-start after cut off	--	--

#### ·Output

Items	Conditions	Request	Note
Startup time	25°C, rated input voltage, output with max. rated power	--	--
Output voltage and precision	Ta, rated input voltage, output with rated power	24V±5%	--
Output current range	Ta, rated input voltage	0-2.5A	
Output voltage wave	25°C, rated input voltage, output with max. rated power	<750mV	Vp-p
Output overload	25°C, rated input voltage, output with 2 times LED load	yes	--
Output current and precision	Ta, rated input voltage, output with rated power	--	--
Rated output voltage range	Ta, rated input voltage	--	--
Output current wave	25°C, rated input voltage, output with max. rated power	--	Ip-p
Dimming mode	--	--	--
Dimming range	--	--	--

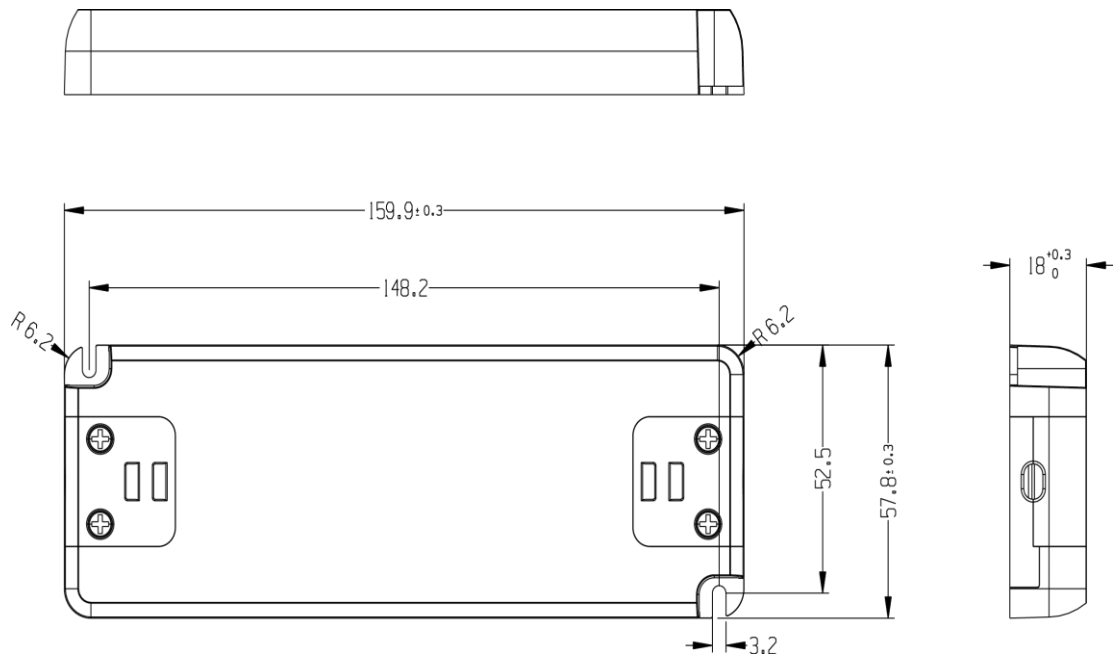
#### ·Mechanical, mounting

Items	Conditions
Case material and size	Plastic case
Mounting ways	Independent
Insulation type	Class II
IP grade	IP20
Input cables dimension	H03VVH2-F 2x0.75mm2
Output cables dimension	H03VVH2-F 2x0.75mm2
Output cables length	2Meters Max.

#### ·Standard

Items	Conditions
Safety	IEC61347-1、IEC61347-2-13
Harmonic	EN61000-3-2 Class C
EMI	IEC55015
EMS	EN61000-4-2、3、4、5、6 EN61547

● **Dimensions(mm)**



● **Wiring Diagram**

