

LED POWER SUPPLY DATASHEET

SNP12-700IFP

DESCRIPTION

High Cost Performance, SELV, short circuit, overload and over temperature protection. Compliance to ERP directive, lifetime 30,000hrs.



Input

| Items | Conditions | Request | Note |
|-----------------|---|--|--------|
| Input voltage | Ta | 180-264Vac | -- |
| Input frequency | | 50Hz | -- |
| Input current | 25°C, rated input voltage, output with max. rated power | < 0.15A | -- |
| Input power | | < 17.5W | -- |
| Efficiency | | ≥ 75% | -- |
| Standby | | 25°C, rated input voltage, output without load | < 0.5W |
| Inrush current | 25°C, rated input voltage | < 60A | peak |
| PF | 25°C, rated input voltage, output max. rated power | ≥ 0.5 | -- |

Temperature and others

| Item | Conditions | Request | Note |
|-------------------|--|----------|--------|
| Operation temp. | -- | -20-45°C | -- |
| Relative humidity | -- | 45%-85% | -- |
| Max. case temp. | -- | 80°C | < 90°C |
| Lifetime | Max. Ta, rated input voltage, output with max. rated power | 30,000hr | -- |
| Working noise | 25°C, rated input voltage, output with rated power, mute box background noise < 35dB, pickup 10cm distance from products | < 35dB | -- |

Protection

| Items | Conditions | Request | Note |
|------------------|---|---------|------|
| Open circuit | Ta, rated input voltage, no load | -- | -- |
| Over load | Ta, 0.94-1.06 times of input voltage, 1.1 times of rated power | yes | -- |
| Short circuit | Ta, 0.94-1.06 times of input voltage | yes | -- |
| Over temperature | Ta, 0.94-1.06 times of input voltage, temperature detected pointed more than 115 degree | -- | -- |
| Over voltage | Ta, 0.94-1.06 times of input voltage, output voltage is 1.5 times of rated one | -- | -- |
| Auto recovery | Over load, short circuit revocation | yes | -- |
| Latch off | Over voltage, over heat re-start after cut off | -- | -- |

Output

| Items | Conditions | Request | Note |
|------------------------------|---|------------|-------------------------|
| Startup time | voltage, output with max. rated power | < 2S | -- |
| Output voltage and precision | Ta, rated input voltage, output with rated power | -- | customer standard light |
| Output current range | Ta, rated input voltage | -- | -- |
| Output voltage wave | voltage, output with max. rated power | -- | Vp-p |
| Output overload | 25°C, rated input voltage, output with 2 times LED load | yes | -- |
| Output current and precision | Ta, rated input voltage, output with rated power | 700mA ±10% | -- |
| Rated output voltage range | Ta, rated input voltage, | -- | -- |
| Output current wave | voltage, output with max. rated power | 50mA | Ip-p |
| Dimming mode | -- | -- | -- |
| Dimming range | -- | -- | -- |

Mechanical, mounting

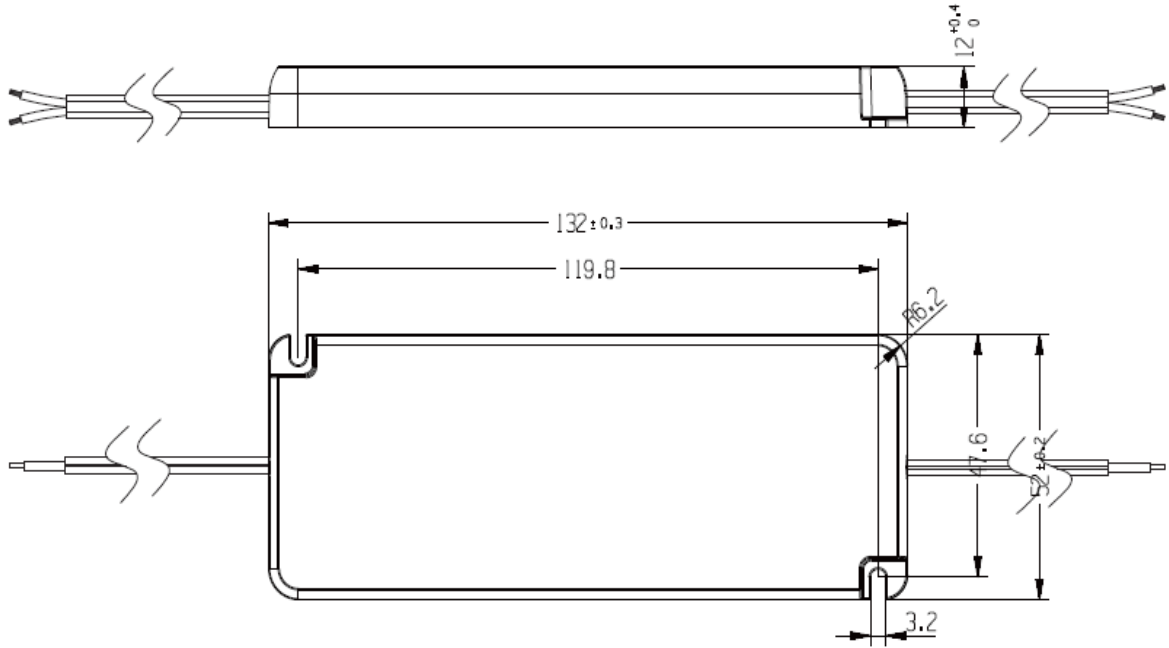
| Items | Conditions |
|-------------------------|--------------------------------------|
| Case material and size | Plastic case, Plastic L132*W52*H12.2 |
| Mounting ways | Independent |
| Insulation type | Class II |
| IP grade | IP44 |
| Input cables dimension | H03VVH2-F 2x0.75mm ² |
| Output cables dimension | H03VVH2-F 2x0.75mm ² |
| Output cables length | 0.3m, Peeling 5mm |

Standard

| Items | Conditions |
|----------|---------------------------|
| Safety | IEC61347-1, IEC61347-2-13 |
| Harmonic | IEC61000-3-2 |
| EMI | IEC55015 |
| EMS | IEC61547 |



● **Dimensions(mm)**



● **Wiring Diagram**

