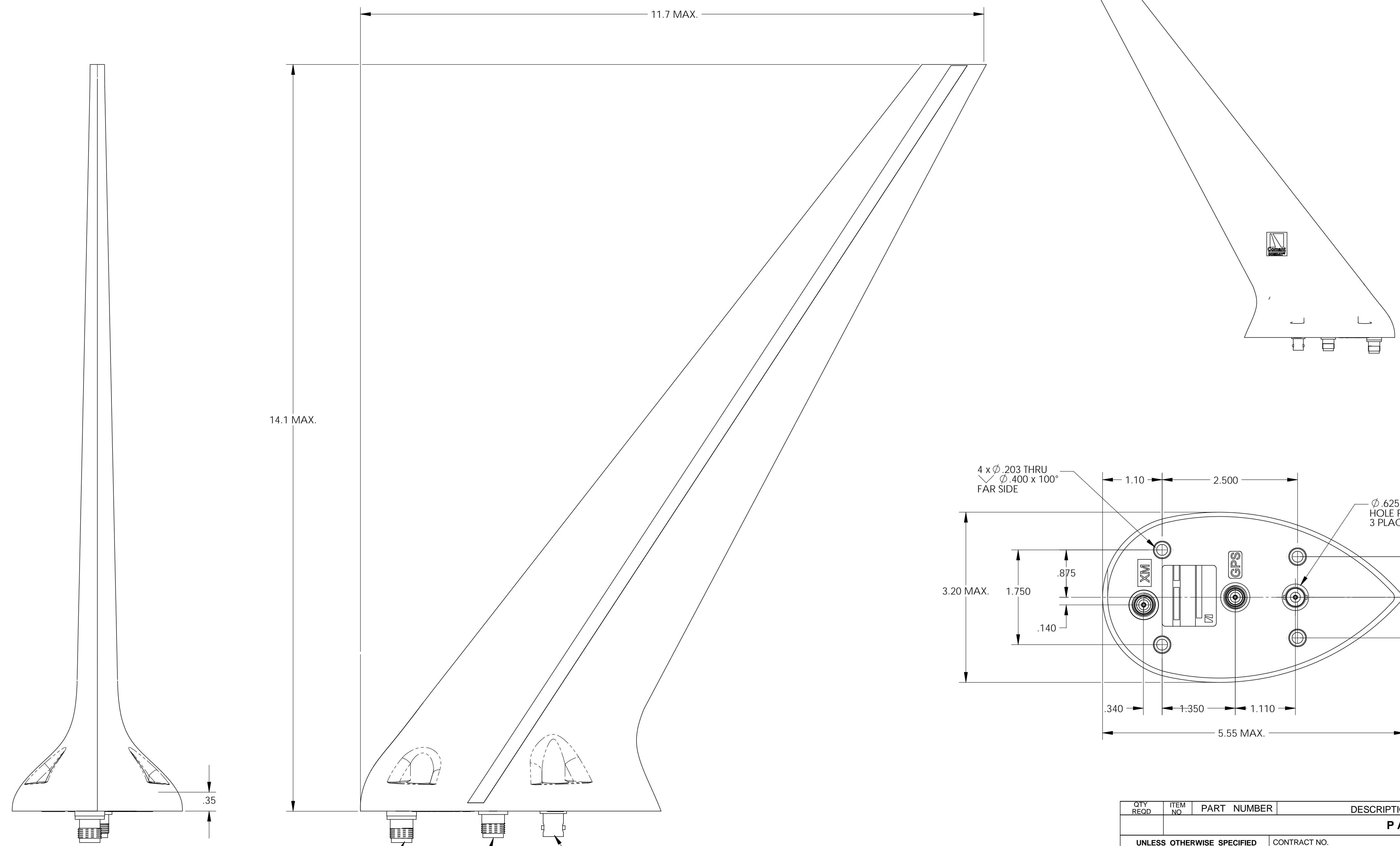
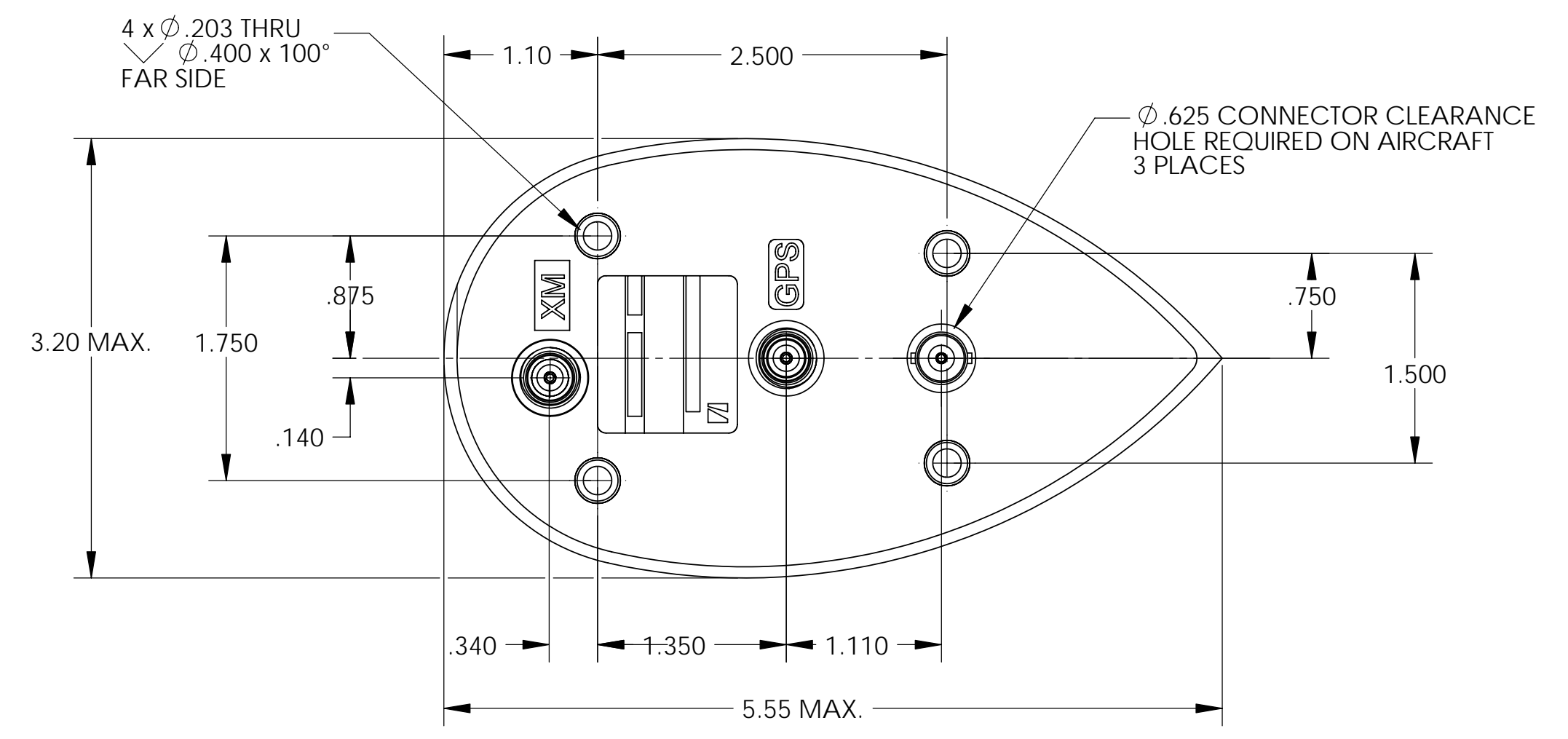


THE INFORMATION CONTAINED IN THIS DRAWING IS THE SOLE PROPERTY OF Comant Industries, Inc. ANY REPRODUCTION IN PART OR WHOLE, WITHOUT THE WRITTEN PERMISSION OF Comant Industries, Inc. IS PROHIBITED.

REVISIONS			
LTR	DESCRIPTION	DATE	APPROVAL
A	RELEASED DRAWING	AV 12/01/06	AV 12/05/06



INSTALLATION DRAWING



TNC CONN. (F) (RED BAND) XM PORT  
 TNC CONN. (F) (BLUE BAND) GPS PORT  
 BNC CONN. (F) VHF PORT

ASSEMBLY DRAWING NO. D272801

QTY REQD	ITEM NO	PART NUMBER	DESCRIPTION	MATERIAL / SPECIFICATIONS																		
<b>PARTS LIST</b>																						
UNLESS OTHERWISE SPECIFIED DIMENSIONS ARE IN INCHES TOLERANCES ON DECIMALS .XX ± .03 .XXX ± .010 FRACTIONS ± 1/32 ANGLES ± 1° MACHINE FINISH 125 ✓ PER ANSI-B46.1 REMOVE BURRS AND SHARP EDGES .015 MAX MEET DIMENSIONS BEFORE PLATING DIMENSIONS ARE PER ASME Y14.5M			CONTRACT NO.	 <b>GPS / XM / VHF LIGHTNING          - PROTECTED COMDAT®          ANTENNA</b>																		
MATERIAL : ..			<table border="1"> <thead> <tr> <th colspan="2">APPROVALS</th> <th>DATE</th> </tr> </thead> <tbody> <tr> <td>DRAWN</td> <td>A. VENEZIANO</td> <td>12/01/06</td> </tr> <tr> <td>CHECK</td> <td>D. HOLLOWAY</td> <td>12/01/06</td> </tr> <tr> <td>ENGR</td> <td>D. HOLLOWAY</td> <td>12/01/06</td> </tr> <tr> <td>MFG</td> <td>L. VELASQUEZ</td> <td>12/05/06</td> </tr> <tr> <td>QC</td> <td>S. ADAMS</td> <td>12/05/06</td> </tr> </tbody> </table>		APPROVALS		DATE	DRAWN	A. VENEZIANO	12/01/06	CHECK	D. HOLLOWAY	12/01/06	ENGR	D. HOLLOWAY	12/01/06	MFG	L. VELASQUEZ	12/05/06	QC	S. ADAMS	12/05/06
APPROVALS		DATE																				
DRAWN	A. VENEZIANO	12/01/06																				
CHECK	D. HOLLOWAY	12/01/06																				
ENGR	D. HOLLOWAY	12/01/06																				
MFG	L. VELASQUEZ	12/05/06																				
QC	S. ADAMS	12/05/06																				
DO NOT SCALE DRAWING			<table border="1"> <tr> <td>DWG SIZE</td> <td>CODE IDENT</td> <td>DWG. NO.</td> <td>REV.</td> </tr> <tr> <td>D</td> <td>51351</td> <td>CI 2728-410</td> <td>A</td> </tr> </table>	DWG SIZE	CODE IDENT	DWG. NO.	REV.	D	51351	CI 2728-410	A											
DWG SIZE	CODE IDENT	DWG. NO.	REV.																			
D	51351	CI 2728-410	A																			
			SCALE: --																			
			CAD FILE: --																			
			SHEET : 1 OF 2																			

DWG NO CI 2728-410 REV: A